

PRODUCT SPECIFICATIONS

Elkay Stainless Steel 37" x 19" x 10" 18 Gauge Three Drop-In
Compartment Sink. Sink is manufactured from 18 gauge 300 series
Stainless Steel with a #4 Finish , Center drain placement.

Material:	300 series Stainless Steel
Finish:	#4 Finish
Gauge:	18
Weight Without Packaging:	22
Number of Bowls:	3
Sink Dimensions:	37" x 19" x 10"
Bowl 1 Dimensions:	10" x 14" x 10"
Bowl 2 Dimensions:	10" x 14" x 10"
Bowl 3 Dimensions:	10" x 14" x 10"
Drain Size:	3-1/2" (89mm)
Drain Location:	Center
Mounting Hardware:	Included

Special Note: Requires Single Deck Mount Faucet

Custom Options	
Alternate Punching	
<input type="checkbox"/> Faucet Model:	<input type="checkbox"/> Punch Required:

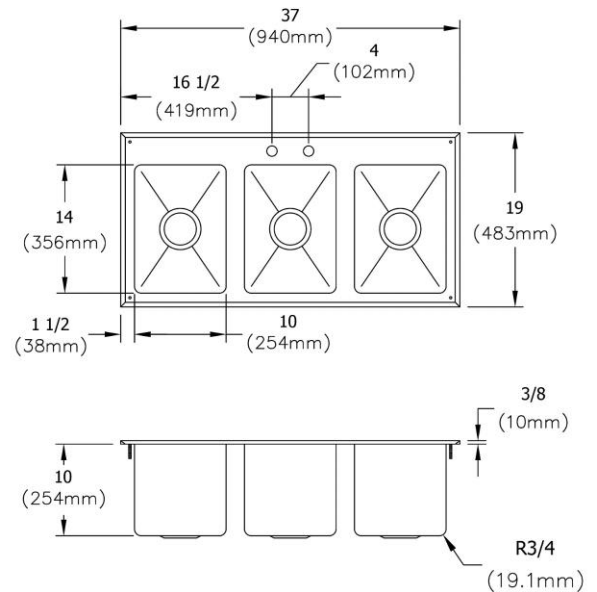
*Options available if applicable



Included with Product: Faucet and strainer.

AMERICAN PRIDE. A LIFETIME TRADITION.
Like your family, the Elkay family has values and traditions that endure. For almost a century, Elkay has been a family-owned and operated company, providing thousands of jobs that support our families and communities.

- Product Compliance:** ASME A112.19.3/CSA B45.4
NSF 2
- Faucet: ASME A112.18.1/CSA B125.1
NSF 372 (lead free)
NSF 61
- Accessory: ASME A112.18.2/CSA B125.2



PART: _____ QTY: _____

PROJECT: _____

CONTACT: _____

DATE: _____

NOTES: _____

APPROVAL: _____

In keeping with our policy of continuing product improvement, Elkay reserves the right to change product specifications without notice. Please visit elkay.com for the most current version of Elkay product specification sheets. This specification describes an Elkay product with design, quality, and functional benefits to the user. When making a comparison of other producers' offerings, be certain these features are not overlooked.