

### PRODUCT SPECIFICATIONS

Elkay Crosstown<sup>®</sup> Stainless Steel 35-7/8" x 20-5/16" x 9" Single Bowl Farmhouse Sink Kit for Interchangeable Apron<sup>™</sup>. Sink is manufactured from 16 gauge 304 Stainless Steel with a Polished Satin finish, Rear Right drain placement, and Sound Guard. Interchangeable Aprons are sold separately.

|                              |                          |
|------------------------------|--------------------------|
| <b>Installation Type:</b>    | Farmhouse                |
| <b>Material:</b>             | 304 Stainless Steel      |
| <b>Special Features:</b>     | Interchangeable Apron    |
| <b>Finish:</b>               | Polished Satin           |
| <b>Gauge:</b>                | 16                       |
| <b>Sound Deadening:</b>      | Sound Guard              |
| <b>Number of Bowls:</b>      | 1                        |
| <b>Sink Dimensions:</b>      | 35-7/8" x 20-5/16" x 9"  |
| <b>Bowl 1 Dimensions:</b>    | 33-7/8" x 17" x 9"       |
| <b>Drain Size:</b>           | 3-1/2" (89mm)            |
| <b>Drain Location:</b>       | Rear Right               |
| <b>Minimum Cabinet Size:</b> | 36"                      |
| <b>Mounting Hardware:</b>    | Part # 54300008 included |

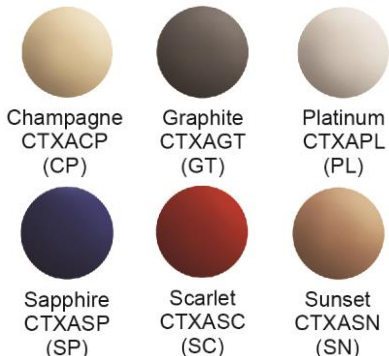
**Special Note:** Apron(s) for Crosstown Farmhouse Sink with Interchangeable Apron feature sold separately.

**Interchangeable Apron:** The stylish look of a farmhouse sink with the ability to change the color and material of the apron from day to night, or whenever the mood strikes you. **Patents Pending**

### Interchangeable Apron Color Options

(sold separately)

#### Stainless Steel:



#### Fireclay:



\*Apron sold separately.

**Included with Product:** CTFX134179R sink, CTFXBG3316 grid, one LKDD drain

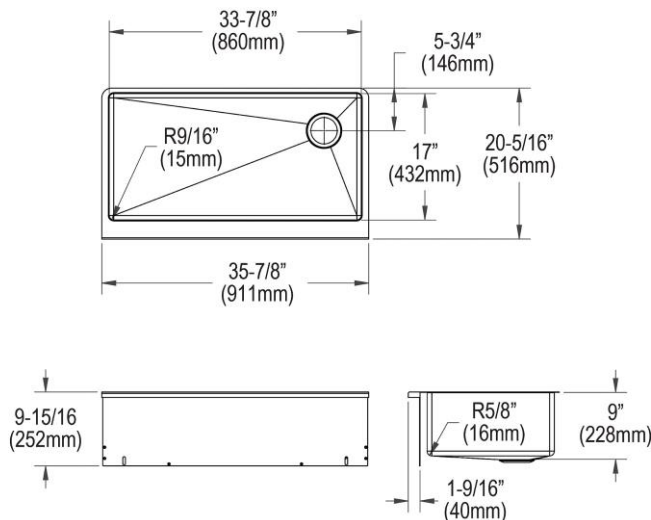
AMERICAN PRIDE. A LIFETIME TRADITION.  
Like your family, the Elkay family has values and traditions that endure. For almost a century, Elkay has been a family-owned and operated company, providing thousands of jobs that support our families and communities.

**Product Compliance:** ASME A112.19.3/CSA B45.4  
**Accessory:** ASME A112.18.2/CSA B125.2

[Clean and Care Manual \(PDF\)](#)

[Installation Instructions \(PDF\)](#)

[Warranty \(PDF\)](#)



PART: \_\_\_\_\_ QTY: \_\_\_\_\_

PROJECT: \_\_\_\_\_

CONTACT: \_\_\_\_\_

DATE: \_\_\_\_\_

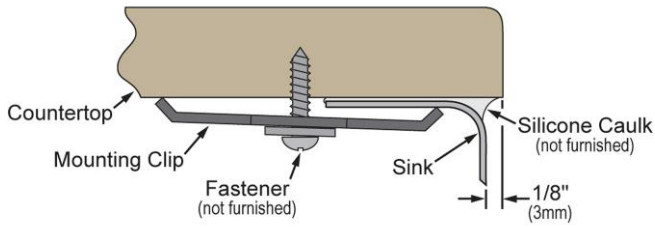
NOTES: \_\_\_\_\_

APPROVAL: \_\_\_\_\_

In keeping with our policy of continuing product improvement, Elkay reserves the right to change product specifications without notice. Please visit [elkay.com](http://elkay.com) for the most current version of Elkay product specification sheets. This specification describes an Elkay product with design, quality, and functional benefits to the user. When making a comparison of other producers' offerings, be certain these features are not overlooked.

**Installation Profile:**

**1/8" OVERHANG**



Designed to affix to the underside of any solid surface countertop.

**OPTIONAL ACCESSORIES**

|                |   |
|----------------|---|
| <b>Drain:</b>  | LK99S, LK35                               |
| <b>Faucet:</b> | LKAV4061, LKEC2031, LKEC2037,<br>LKAV4032 |

*In keeping with our policy of continuing product improvement, Elkay reserves the right to change product specifications without notice. Please visit [elkay.com](http://elkay.com) for the most current version of Elkay product specification sheets. This specification describes an Elkay product with design, quality, and functional benefits to the user. When making a comparison of other producers' offerings, be certain these features are not overlooked.*