

# ELKAY®

## SPECIFICATIONS

### Stone Pedestal Barrier-Free Fountain Model LK4590

#### GENERAL

Pedestal, weather-resistant exposed stone aggregate fountain for year-round beauty with minimum maintenance. Contour-formed basin with rounded corners and edges reduces splatter, insures proper drainage and prevents standing waste water. Designed to be easily accessible to both physically challenged and able-bodied individuals. Ideally suited for installation in public areas. Model meets state and federal requirements as defined by the Americans with Disabilities Act.

#### NO LEAD DESIGN

**THIS DRINKING FOUNTAIN COMPLIES WITH THE LEAD-FREE DEFINITION IN THE SAFE DRINKING WATER ACT OF 1986 AND LEAD CONTAMINATION CONTROL ACT OF 1988.**

Elkay Drinking Fountains are manufactured with a waterway system utilizing copper components and completely lead-free material. These waterways have no lead because all leaded materials, such as leaded brass, have been removed.

#### CONSTRUCTION

**Bubbler:** Vandal-resistant, bubbler is one-piece, chrome-plated with integral hood guard design to prevent contamination from other users, airborne deposits and tampering.

**Pushbutton Actuation Mechanism:** Self-closing, vandal-resistant pushbutton does not require grasping or twisting.

**Automatic Stream Height Regulator:** Self-closing assembly is located inside unit to prevent tampering. Unit resists corrosion and liming. A constant stream height is automatically maintained under line pressures that vary from 20 to 105 psi.

**Inlet Strainer:** Easily cleaned in-line strainer screen traps particles of 140 microns or larger before they enter the waterway.

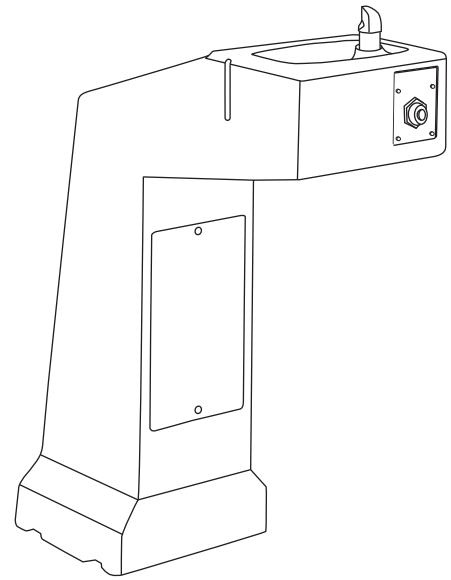
**Water Inlet:** 3/8" O.D. tubing.

**Drain Outlet:** 1-1/4" tube outlet for 1-1/4" slip joint connection.

**Access Panel:** Manufactured of heavy-gauge steel with vandal-resistant screws. Provides access for easy hook-up of all plumbing connections.



This fountain is ADA compliant.



Model LK4590

#### SUGGESTED SPECIFICATIONS

Fountain shall include pushbutton on the front. Shall include contoured-formed basin to eliminate splashing and standing water, and shall have rounded corners and edges. Projector shall be chrome-plated vandal-resistant type with integral hood guard and anti-squirt feature. Fountain shall comply with ANSI 117:1 and ADA for visual and motion disabilities. The manufacturer shall certify the unit to meet the requirements of NSF/ANSI 61/372, and the Safe Drinking Water Act.

**Shipping Weight:** 220 lbs.

This fountain is certified by WQA to lead-free compliance including **NSF/ANSI 61 and 372**.

*In keeping with our policy of continuing product improvement, Elkay reserves the right to change product specifications without notice.*

*This specification describes an Elkay product with design, quality and functional benefits to the user. When making a comparison of other producers' offerings, be certain these features are not overlooked.*

**Stone Pedestal  
Barrier-Free Fountain  
Model LK4590**

**ELKAY®  
ROUGH-IN DIMENSIONS**

**MOUNTING INSTRUCTIONS and  
PLUMBING INSTRUCTIONS**

Provide solid, well-drained surface to mount pedestal fountain (concrete pad recommended). (4) 1/2" anchor bolts (not included) should be attached firmly to mounting surface in order to secure fountain. (Refer to rough-in diagram.)

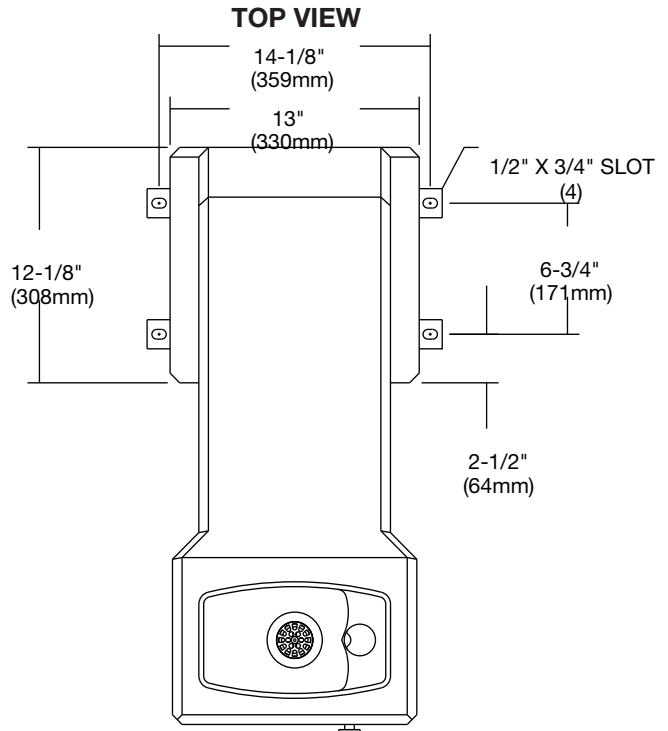
Locate and install plumbing through ground as required.  
NOTE: Fountain is not furnished with service valve.

Position pedestal over plumbing and secure base to anchor bolts. Remove access panels and connect supply and water lines. Turn on water supply and check for leaks. Stream height is factory set at 45-50 psi. If water pressure varies greatly from this, adjust automatic stream regulator to provide drinking stream approximately 1-1/2" above projector guard.

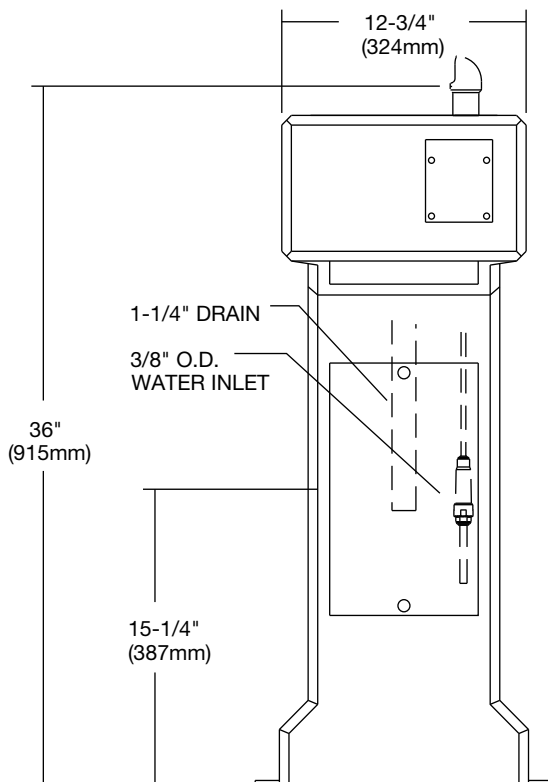
Reassemble access panels to pedestal.

Trap and service stop not included.

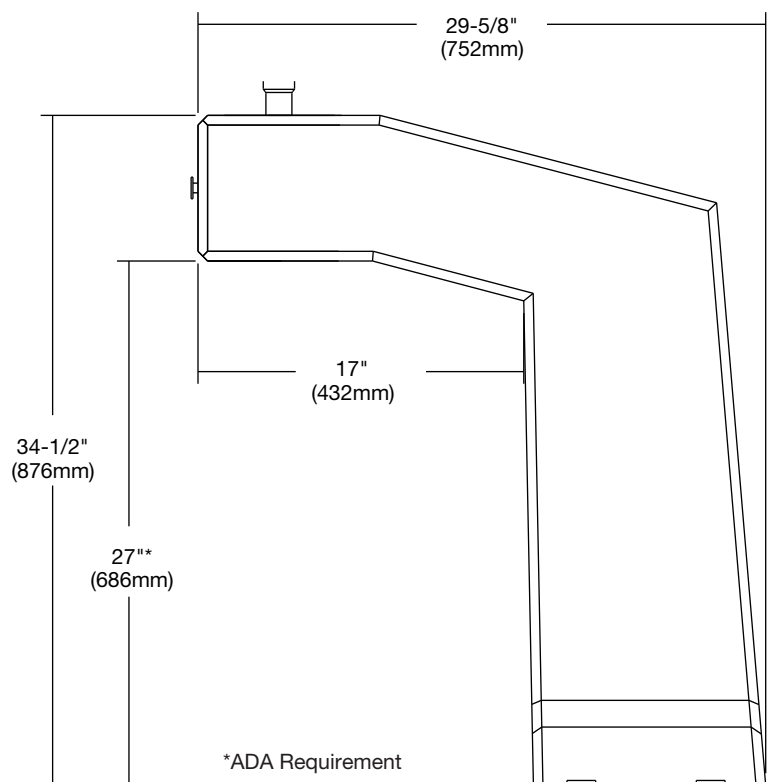
**Operating Pressures:** Supply water - 105 psi maximum.



**FRONT VIEW**



**SIDE VIEW**



\*ADA Requirement