

**Hand Wash-Up Sink with Side Splashes**  
**Type 304**  
**Models CHS1716LRSC and CHS1716LRS**



**SPECIFICATIONS**

**GENERAL**

**CHS1716LRSC** Type 304 (18-8) stainless steel hand wash-up sink with 7" (178mm) high right and left side splashes. Basin has 1-3/4" (45mm) radius covered corners. Full length 7" (178mm) high backsplash. Exposed surfaces have a brushed finish. Furnished with a wall hanger and integral stainless steel support brackets. Carries NSF International Certification.

**FURNISHED COMPLETE WITH:**

**SUPPLY:** **LK499A** Chrome plated gooseneck spout faucet with AE13A aerator.

**DRAIN:** **LK8** Chrome plated stamped brass perforated strainer grid. 1-1/2" (38mm) O.D. x 4" (102mm) tailpiece.

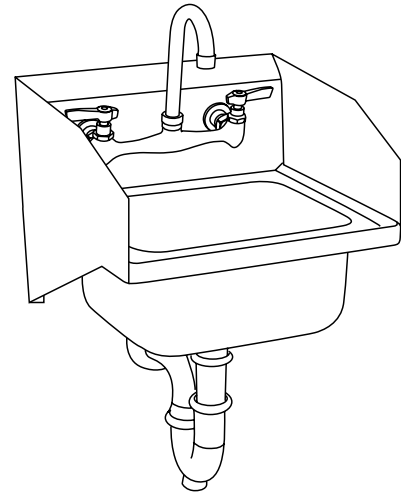
**TRAP:** **LK500** Chrome plated cast brass 1-1/2" (38mm) O.D. "P" trap with cleanout, 1-1/2" (38mm) O.D. waste arm to wall, and wall flange.

**FOLLOWING MODEL DOES NOT INCLUDE FAUCET AND FITTINGS:**

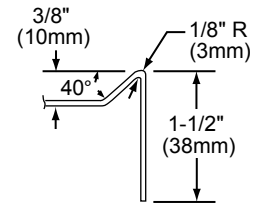
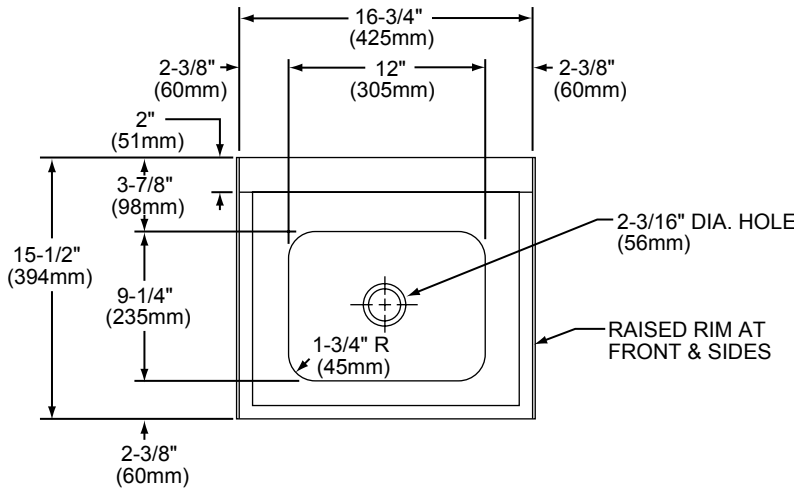
**CHS1716LRS**

**SPECIFY FAUCET DRILLINGS AND LOCATION.**

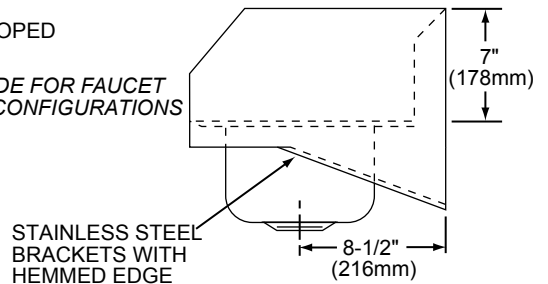
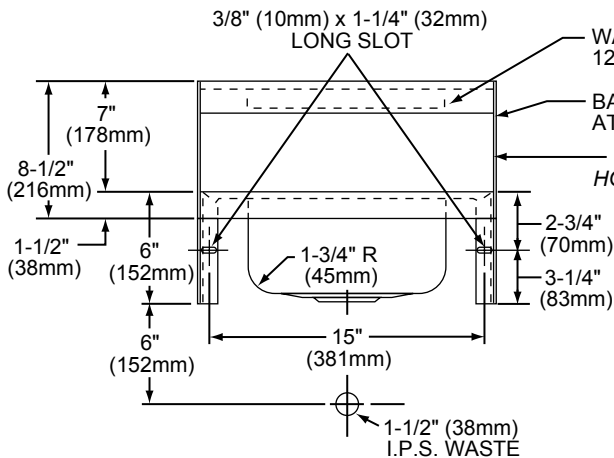
(See other side for standard faucet hole drilling configurations.)



Model CHS1716LRSC



SECTION THROUGH RIM

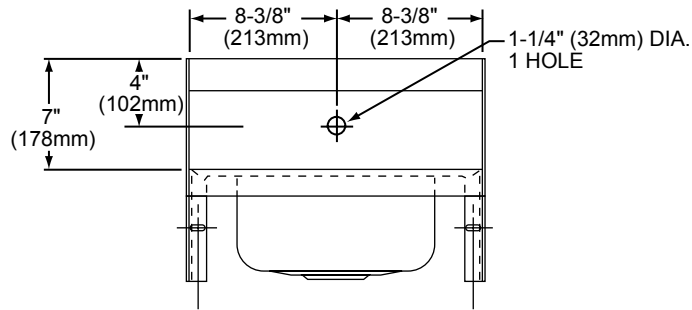


Model CHS1716LRSC Illustrated

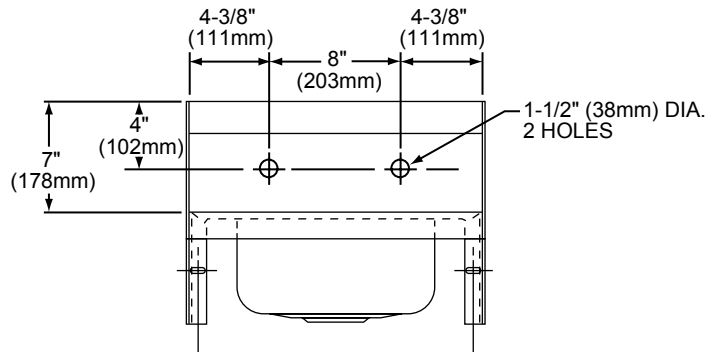
*In keeping with our policy of continuing product improvement, Elkay reserves the right to change product specifications without notice.*

**SPECIFICATIONS**

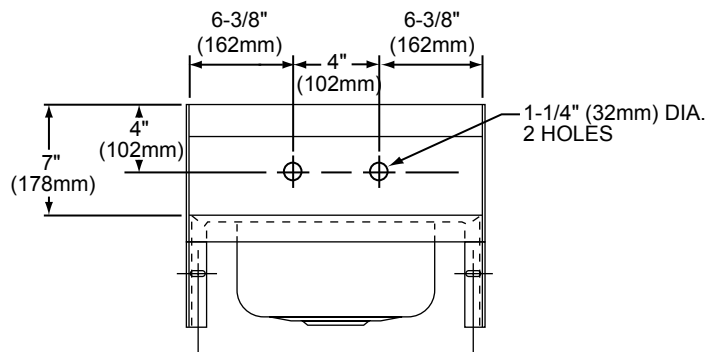
**HOLE DRILLING CONFIGURATIONS**



CHS1716LRS1



CHS1716LRS2



CHS1716LRS4