

ELKAY® SPECIFICATIONS

Service Sink, Wall Mounted, With Drainboard Mixing Faucet With Wrist Blade Handles Models ESS4924RW4C, ESS4924RW6C and ESS4924R

GENERAL

#14 gauge, type 304 (18-8), stainless steel service sink with right hand 30" (762mm) drainboard. 1/4" (6mm) radius vertical and horizontal covered corners. 1-1/2" (38mm) rolled rim. Full length 8" (203mm) high backsplash with 45° sloped top. Exposed surfaces are hand blended to a uniform lustrous satin finish. Furnished with wall hanger and stainless steel support brackets. Carries NSF International Certification.

(CHECK MODEL SPECIFIED)

- ESS4924RW4C (4" [102mm] Wrist Blade Handles)
- ESS4924RW6C (6" [152mm] Wrist Blade Handles)

FURNISHED COMPLETE WITH:

SUPPLY: LK940GN08T4H. Chrome plated mixing faucet with 4" (102mm) wrist blade handles, swing 8" (203mm) high gooseneck spout, vandal-resistant, anti-hose aerator.

– OR –

LK940GN08T6H. Chrome plated mixing faucet with 6" (152mm) wrist blade handles, swing 8" (203mm) high gooseneck spout, vandal-resistant, anti-hose aerator.

DRAIN: LK18B. Stainless steel perforated strainer grid. 1-1/2" (38mm) O.D. x 4" (102mm) stainless steel tailpiece.

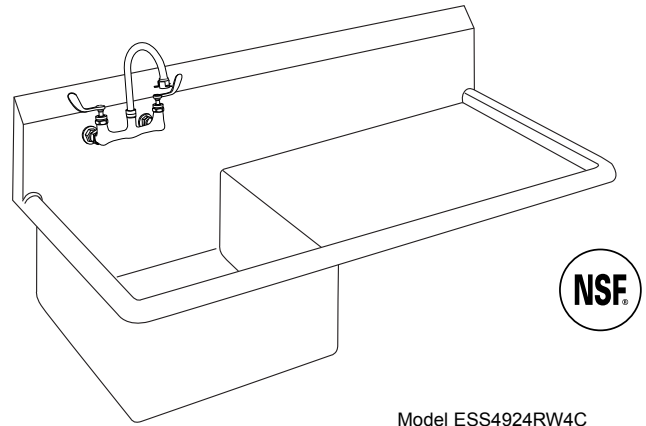
FOLLOWING MODEL DOES NOT INCLUDE FAUCET AND DRAIN:

- ESS4924R

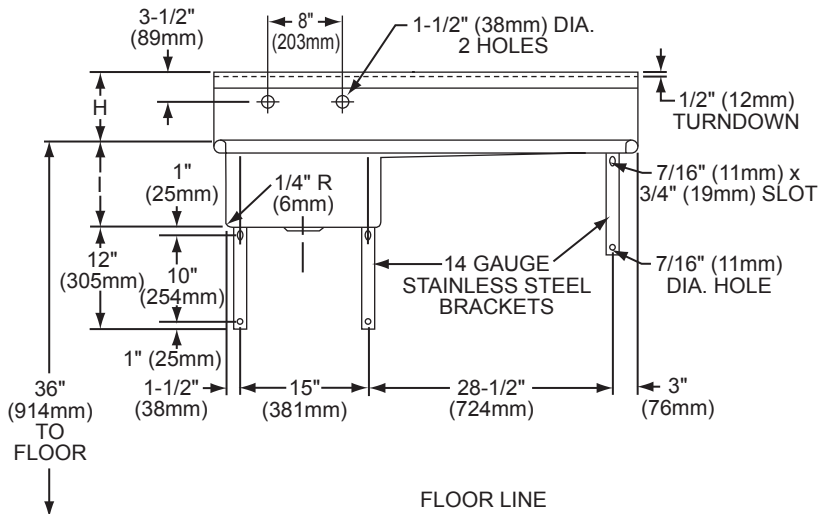
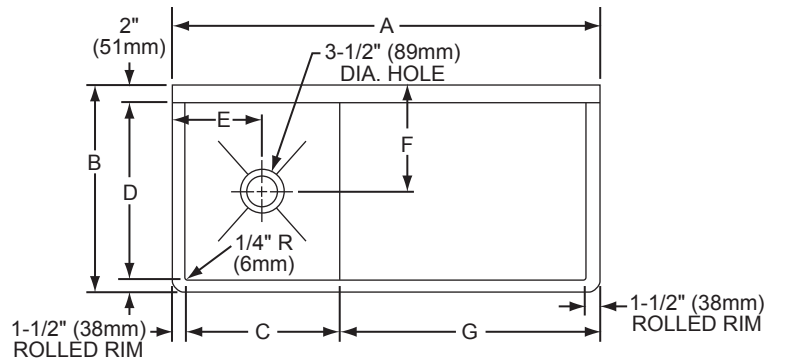
SPECIFY FAUCET DRILLINGS AND LOCATION.

DIMENSIONS

| Model Number ESS4924R | | | | | |
|-----------------------|--------|------|-------|--------|-----|
| DIMS. | in. | mm | DIMS. | in. | mm |
| A | 49 1/2 | 1257 | F | 12 1/4 | 311 |
| B | 24 | 610 | G | 30 | 762 |
| C | 18 | 457 | H | 8 | 203 |
| D | 20 1/2 | 521 | I | 10 | 254 |
| E | 10 1/2 | 267 | | | |



Model ESS4924RW4C



In keeping with our policy of continuing product improvement, Elkay reserves the right to change product specifications without notice.