



HILLSIDE™

36" STAINLESS STEEL KITCHEN SINK



D35140036.XXX

FEATURES

- Simple clean apron design
- 16 gauge stainless steel
- Suitable for under-counter, flush countertop, or above-counter custom installation
- Brushed finished
- Offset drain
- Requires an additional flange if using a garbage disposal (not included)

DIMENSIONS

NOMINAL DIMENSIONS

36" x 20" x 11-1/2" (914 x 508 x 292 mm)

BOWL INSIDE DIMENSIONS

33" (838 mm) wide

17" (432 mm) front to back

10" (254 mm) depth

COLORS/FINISHES

Stainless Steel (075)

COMPONENTS

791605-202.0750A Sink Rack

7301839-201-0020A Drain with Strainer

COMPLIANCE CERTIFICATIONS

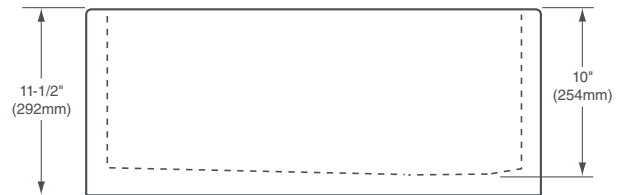
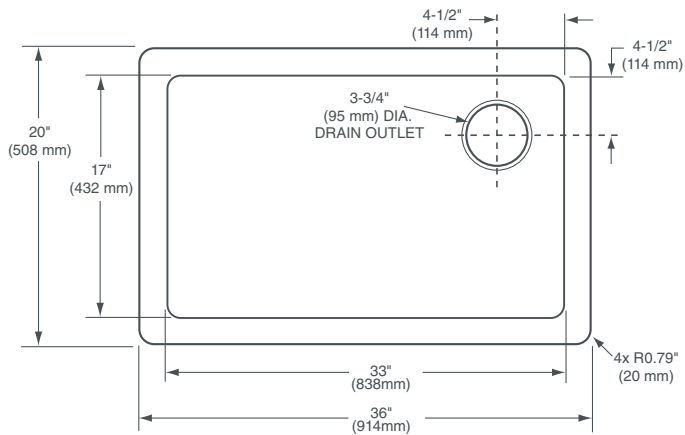
Meets or Exceeds ASME A112.19.2 / CSA B45.1

ROUGH-IN DIAGRAM SHOWN
ON NEXT PAGE



HILLSIDE™

36" STAINLESS STEEL KITCHEN SINK



NOTES:

Refer to installation instructions supplied with kitchen sink for undermount, countertop or above counter custom installations.

CAUTION: Sink is heavy! Installer must provide adequate reinforcement for all load-bearing supports in accordance with installation instructions supplied with kitchen sink.

Fittings not included with fixture and must be ordered separately.

IMPORTANT:

Dimensions of fixtures are nominal and may vary within the range of tolerance established by ANSI standards.

These measurements are subject to change or cancellation. No responsibility is assumed for use of superseded or voided pages.

PART OF LIXIL