



RANDALL[®]

MULTIFUNCTION SHOWERHEAD



- Adjustable two function spray from soft to needle spray
- Includes arm and flange
- 1/2" NPT
- Maximum flow rate: 2.0 gpm (7.6 L/min)
- Low flow rate: 1.8 gpm (6.8 L/min)

CODES AND STANDARDS

Meets or Exceeds ASME A112.18.1/CSA B125.1

- CEC and CALGreen[®] Compliant

AVAILABLE FINISHES

Polished Chrome
Brushed Nickel
Platinum Nickel

FINISH CODE

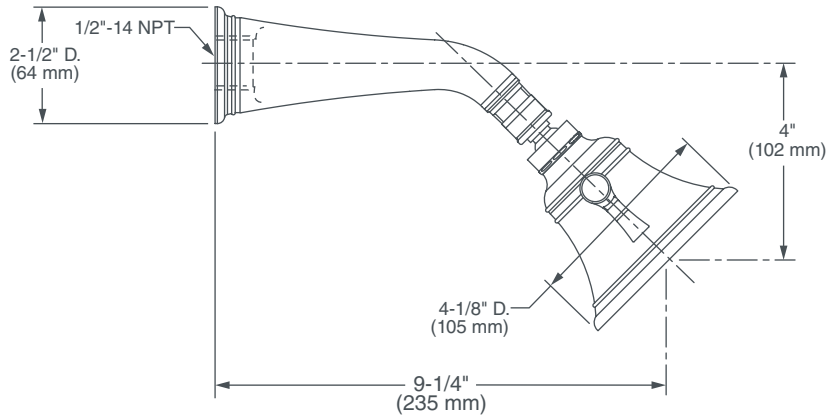
100
144
150

DESCRIPTION

Multifunction Showerhead
2.0 gpm (7.6 L/min)
1.8 gpm (6.8 L/min)

PRODUCT NUMBER

D35102775.XXX
D3510277C.XXX



IMPORTANT: These measurements are subject to change or cancellation. No responsibility is assumed for use of superseded or voided pages.

CALGreen[®] is a registered trademark of California Building Standards Commission.

PART OF **LIXIL**