



OAK HILL®

3/2 OR 4/3 DIVERTER VALVE TRIM



- The Oak Hill Pressure Balance Valve Trim from DXV brings the charm and lasting appeal of the traditional farmhouse aesthetic into today's home
- Alternates water flow between 2 or 3 discrete outlets
- 3/2 Port diverter allows for 1 inlet and 2 outlets
- 4/3 Port diverter allows for 1 inlet and 3 outlets
- 3/2 Port diverter rough valve directs water flow between 2 outlets
- 4/3 Port diverter rough valve directs water flow between 3 outlets
- 1/2" NPT inlets and outlets

CODES AND STANDARDS

Meets or Exceeds ASME A112.18.1/CSA B125.1

DESCRIPTION

3/2 or 4/3 Diverter Valve Trim with Lever Handle (ADA)
 3/2 or 4/3 Diverter Valve Trim with Cross Handle

PRODUCT NUMBER

D35155430.XXX
 D35155434.XXX

REQUIRED COMPONENTS

3/2 Port Diverter Rough Valve
 4/3 Port Diverter Rough Valve

D35000420.191
 D35000430.191

AVAILABLE FINISHES

Polished Chrome
 Brushed Nickel
 Platinum Nickel
 Satin Brass

FINISH CODE

100
 144
 150
 427



Polished Chrome



Brushed Nickel



Platinum Nickel



Satin Brass

ROUGH-IN DIAGRAM
 SHOWN ON NEXT PAGE



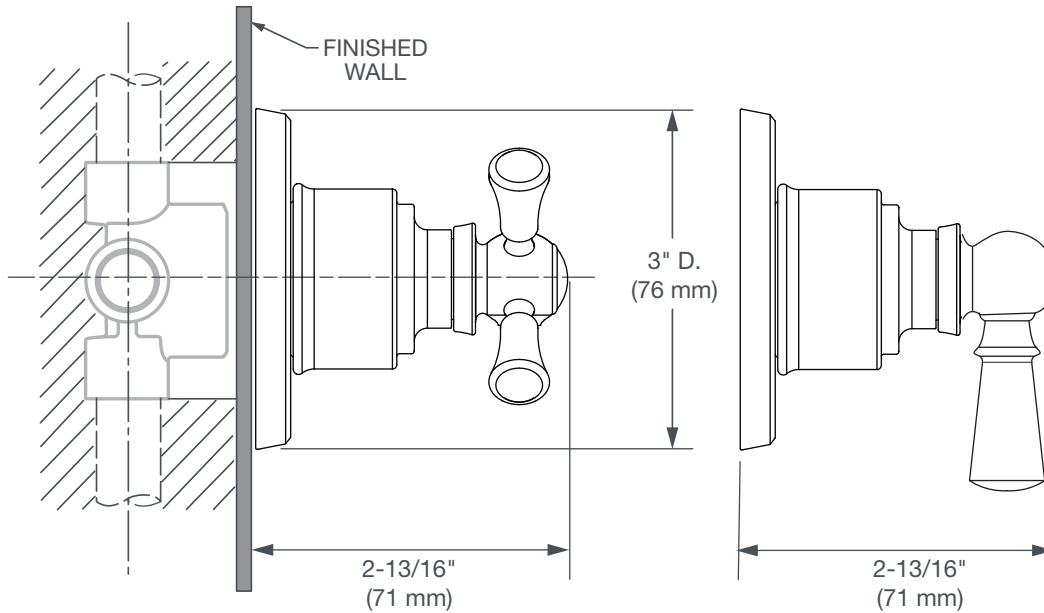
Meets the Americans with Disabilities Act Guidelines and ANSI A117.1 Requirements for the physically challenged.



OAK HILL[®]

3/2 OR 4/3 DIVERTER

VALVE TRIM



IMPORTANT: These measurements are subject to change or cancellation. No responsibility is assumed for use of superseded or voided pages.

PART OF **LIXIL**