

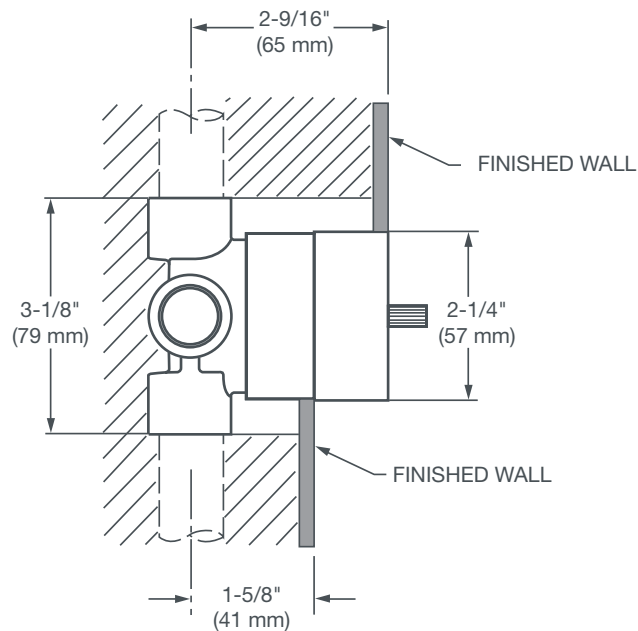
4/3 PORT DIVERTER ROUGH VALVE



- Diverter can be installed with the inlet rotated in any position
- Allows water flow out from three adjacent outlets simultaneously
- Cast brass body
- Diverter cannot be used as a stop valve

DESCRIPTION
4/3 Port Diverter
Rough Valve

PRODUCT NUMBER
D35000430.191



ALL CONNECTIONS 1/2" NPT

IMPORTANT: These measurements are subject to change or cancellation. No responsibility is assumed for use of superseded or voided pages.

PART OF **LIXIL**