

TRADITIONAL RAIN SHOWERHEAD



- Tiered, sculpted design
- 1/2" NPT
- Brass construction
- Showerhead can pivot
- Easy clean rubber nozzles
- Maximum showerhead flow rate: 2.5 GPM (9.5L/min)

CODES AND STANDARDS

Meets or Exceeds ASME A112.18.1/ CSA B125.1

Available Finishes

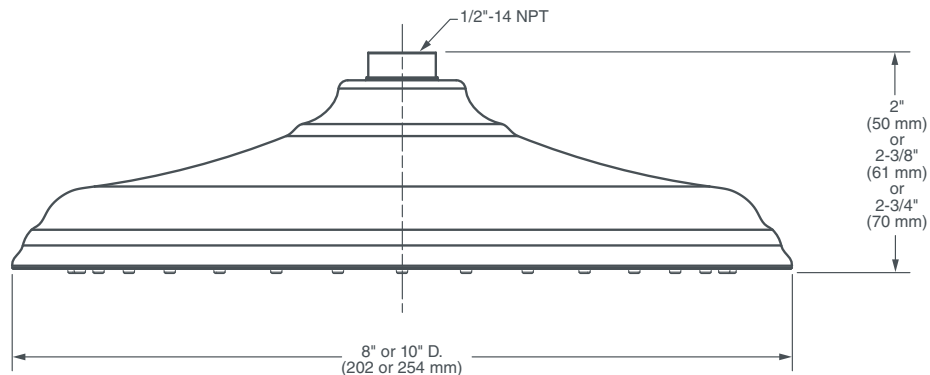
Available Finishes	Finish Code
Polished Chrome	100
Carbon Bronze (for 8" only)	110
Brushed Nickel	144
Platinum Nickel	150
Satin Brass	427

DESCRIPTION

8" Traditional Rain Showerhead
10" Traditional Rain Showerhead

PRODUCT NUMBER

D35700108.XXX
D35700110.XXX



IMPORTANT: These measurements are subject to change or cancellation. No responsibility is assumed for use of superseded or voided pages.