



AMERICAN STANDARD

VICTORIAN™ BAR FAUCET



- Ceramic disc valve cartridge
- Lead Free - faucet contains ≤ 0.25% total lead content by weighted volume
- 5-1/4" swivel spout
- Spout swivels at 360°
- Maximum Flow Rate: 1.8 GPM (8.3L/min)

CODES AND STANDARDS

Meets or Exceeds ASME A112.18.1/
CSA B125.1/NSF 61/Section 9

Certified Compliant with 0.25% Weighted
Average Lead Content Regulations

AVAILABLE FINISHES

Polished Chrome
Ultra Steel
Carbon Bronze

FINISH CODE

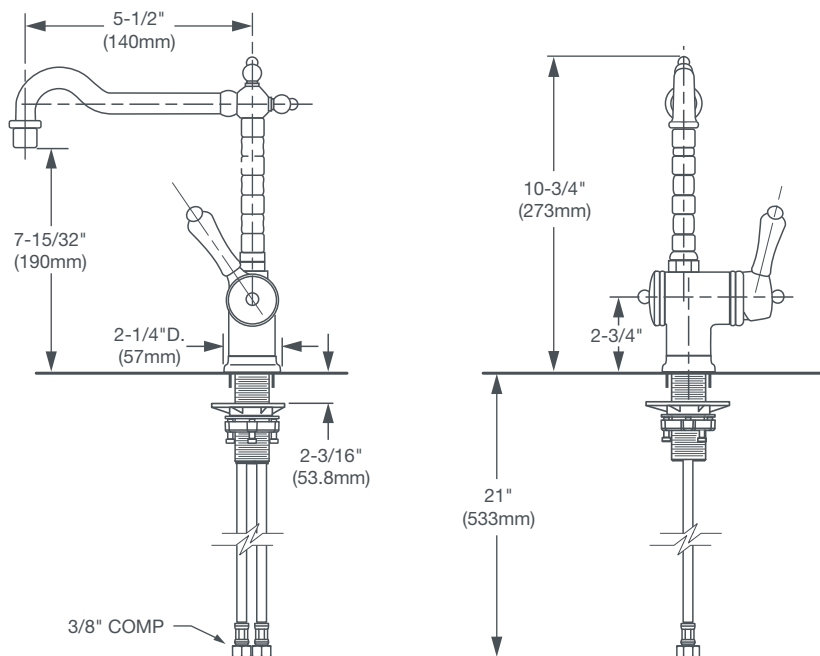
100
355
110

DESCRIPTION

Single Control Bar Faucet

PRODUCT NUMBER

D35402400.XXX



NOTE: Bore hole size is 1-3/8"

IMPORTANT: These measurements are subject to change or cancellation.
No responsibility is assumed for use of superseded or voided pages.



Meets the Americans with Disabilities Act
Guidelines and ANSI A117.1 Requirements
for the physically challenged.