



AMERICAN STANDARD

CONTEMPORARY COLD TAP

KITCHEN FAUCET



- Compatible with most filtration systems
- Single lever control
- Cold water only
- ADA qualified
- Lead Free - Faucet contains $\leq 0.25\%$ total lead content by weighted volume
- Maximum Flow Rate: 1.5 GPM (5.7L/min)

CODES AND STANDARDS

Meets or Exceeds ASME A112.18.1/
CSA B125.1/NSF 61/Section 9

Certified Compliant with 0.25% Weighted
Average Lead Content Regulations

AVAILABLE FINISHES

Polished Chrome
Ultra Steel

FINISH CODE

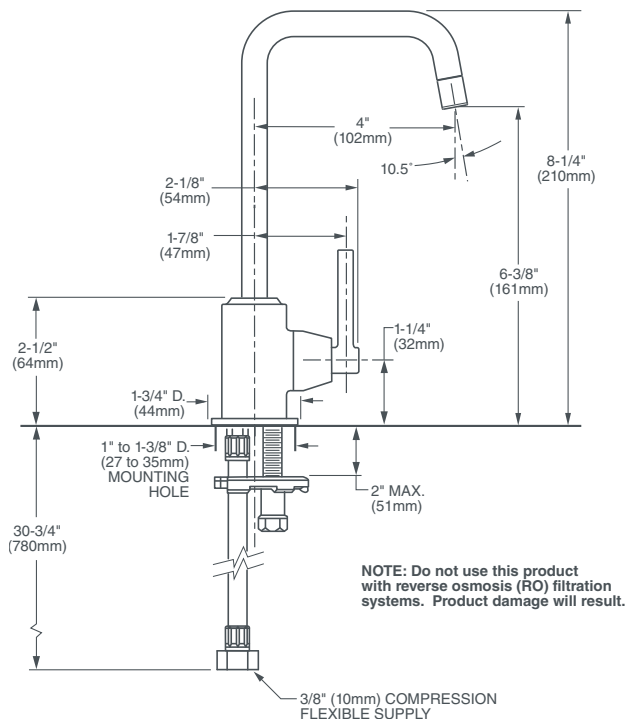
100
355

DESCRIPTION

Contemporary Cold Tap
Kitchen Faucet

PRODUCT NUMBER

D35401700.XXX



IMPORTANT: These measurements are subject to change or cancellation.
No responsibility is assumed for use of superseded or voided pages.



Meets the Americans with Disabilities Act
Guidelines and ANSI A117.1 Requirements
for the physically challenged.