



AMERICAN STANDARD

LANDFAIR™

TISSUE HOLDER



- Solid brass construction
- Concealed mounting
- Includes assembly hardware

AVAILABLE FINISHES

Polished Chrome
Platinum Nickel
Carbon Bronze

FINISH CODE

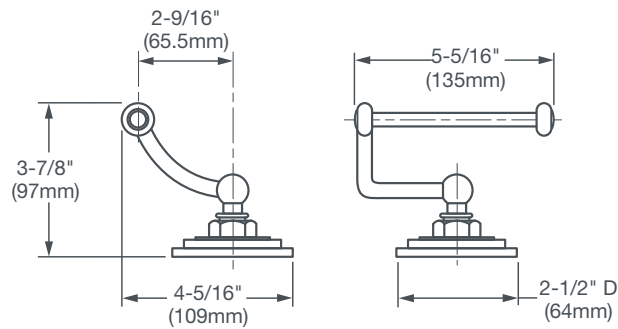
100
150
110

DESCRIPTION

Tissue Holder

PRODUCT NUMBER

D35107230.XXX



IMPORTANT: These measurements are subject to change or cancellation.
No responsibility is assumed for use of superseded or voided pages.