

PERCY™

DECK MOUNT TUB FILLER WITH HAND SHOWER



- Cast brass spout
- Ceramic disc valve cartridges
- Distinct, geometric handle design
- Flexible hose connections for 8"-12" installations
- Hand shower features 5 ft (1.5m) metal hose
- Hand shower maximum flow rate: 2.5 GPM (9.5L/min.)

CODES AND STANDARDS

Meets or Exceeds ASME A112.18.1/CSA B125.1

AVAILABLE FINISHES

Polished Chrome
Brushed Nickel

FINISH CODE

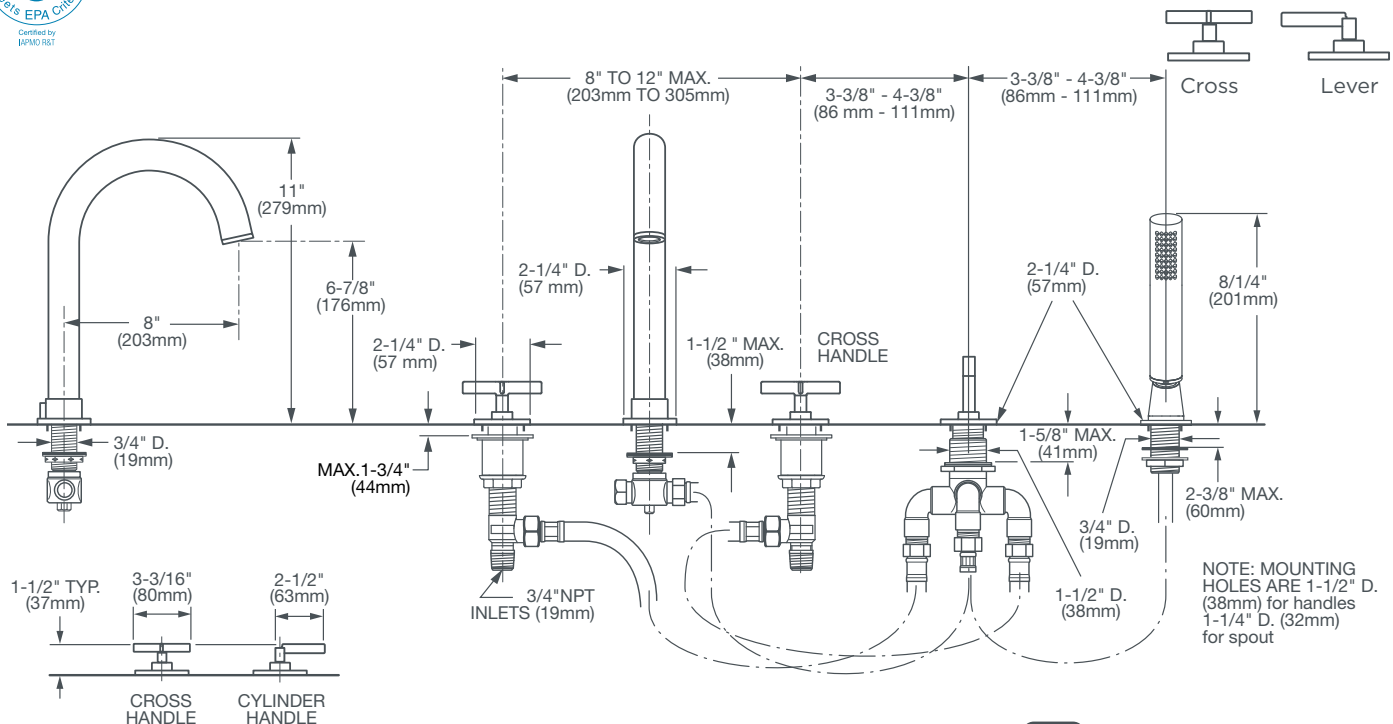
100
144

DESCRIPTION

Deck Mount Tub Filler
with Hand Shower
— Cross Handles
— Lever Handles

PRODUCT NUMBER

D35105940.XXX
D35105900.XXX



IMPORTANT: These measurements are subject to change or cancellation. No responsibility is assumed for use of superseded or voided pages.



Meets the Americans with Disabilities Act Guidelines and ANSI A117.1 Requirements for the physically challenged.