



AMERICAN STANDARD

PERCY™ PRESSURE BALANCE TUB & SHOWER TRIM



- Cast brass
- Ceramic disc valve cartridge
- Adjustable hot limit safety stop
- Pressure balance cartridge maintains constant output temperature in response to changes in relative hot and cold supply pressures
- Integral diverter
- Concealed mounting hardware

CODES AND STANDARDS

Meets or Exceeds ASME A112.18.1/CSA B125.1/ASSE 1016

AVAILABLE FINISHES

Polished Chrome
Brushed Nickel

FINISH CODE

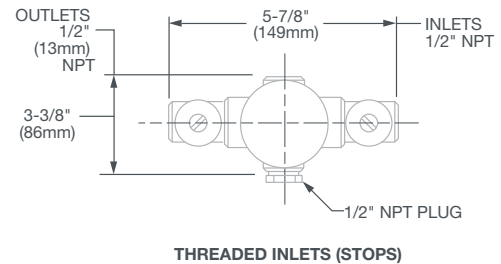
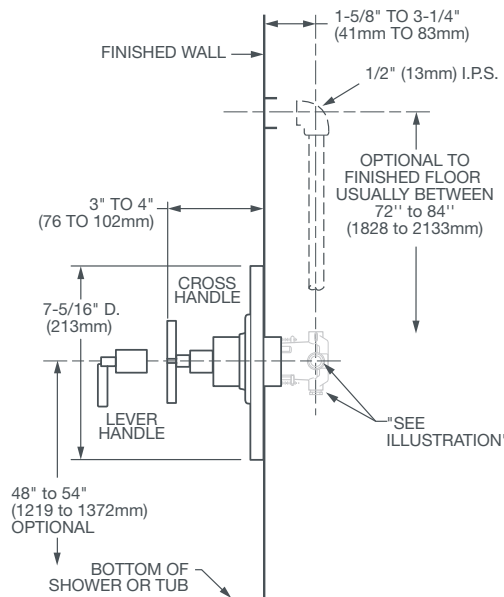
100
144

DESCRIPTION

Pressure Balance
Tub & Shower Trim
— Cross Handle
— Lever Handle

PRODUCT NUMBER

D35105640.XXX
D35105600.XXX



IMPORTANT: These measurements are subject to change or cancellation. No responsibility is assumed for use of superseded or voided pages.



Meets the Americans with Disabilities Act Guidelines and ANSI A117.1 Requirements for the physically challenged.