



AMERICAN STANDARD

RANDALL™ DECK MOUNT TUB FILLER WITH HAND SHOWER



- Cast brass spout and side valves
- Ceramic disc valve cartridges
- Flexible hose connections for 8"-12" installations
- Hand shower included
- Available with cross or lever handles
- Hand shower features 5 ft (1.5m) metal hose
- Maximum Hand Shower Flow Rate: 2.5 GPM (9.5L/min)

CODES AND STANDARDS

Meets or Exceeds ASME A112.18.1/CSA B125.1

AVAILABLE FINISHES

- Polished Chrome
- Brushed Nickel
- Platinum Nickel

FINISH CODE

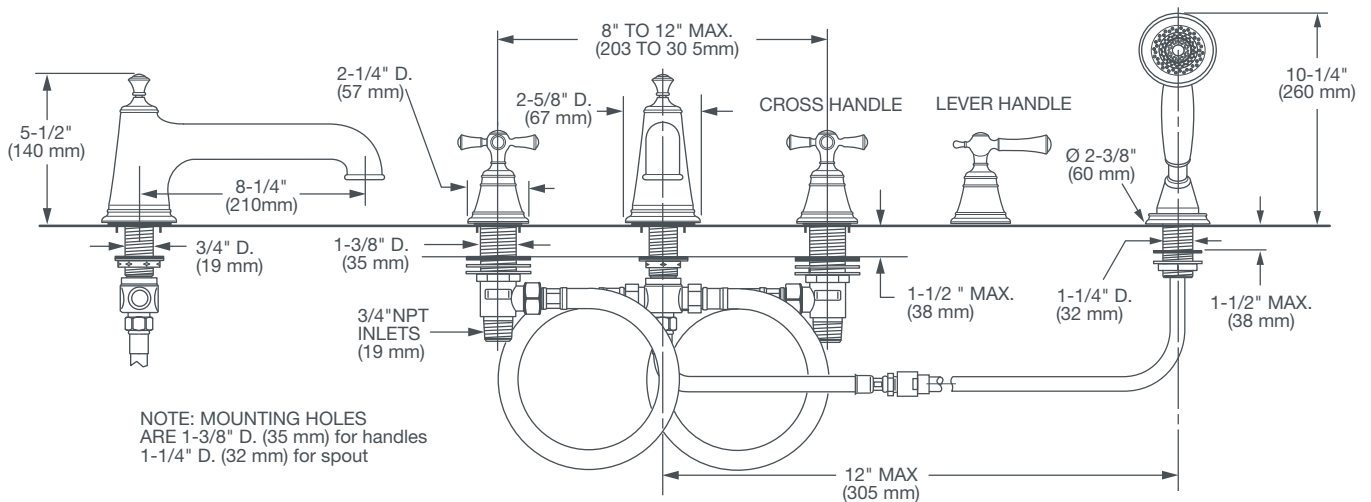
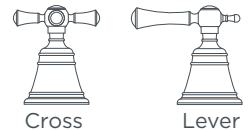
- 100
- 144
- 150

DESCRIPTION

Deck Mount Tub Filler
with Hand Shower
— Cross Handles
— Lever Handles

PRODUCT NUMBER

- D35102940.XXX
- D35102900.XXX



IMPORTANT: These measurements are subject to change or cancellation.
No responsibility is assumed for use of superseded or voided pages.



Meets the Americans with Disabilities Act Guidelines and ANSI A117.1 Requirements for the physically challenged.