



AMERICAN STANDARD

RANDALL™ DECK MOUNT TUB FILLER WITH HAND SHOWER



- Cast brass spout and side valves
- Ceramic disc valve cartridges
- Flexible hose connections for 8"-12" installations
- Hand shower included
- Available with cross or lever handles
- Hand shower features 5 ft (1.5m) metal hose
- Maximum Hand Shower Flow Rate: 2.5 GPM (9.5L/min)

CODES AND STANDARDS

Meets or Exceeds ASME A112.18.1/
CSA B125.1/NSF 61/Section 9

EPA WaterSense® High Efficiency
Lavatory Faucet Specification

Certified Compliant with 0.25% Weighted
Average Lead Content Regulations

AVAILABLE FINISHES

Polished Chrome
Brushed Nickel
Platinum Nickel

FINISH CODE

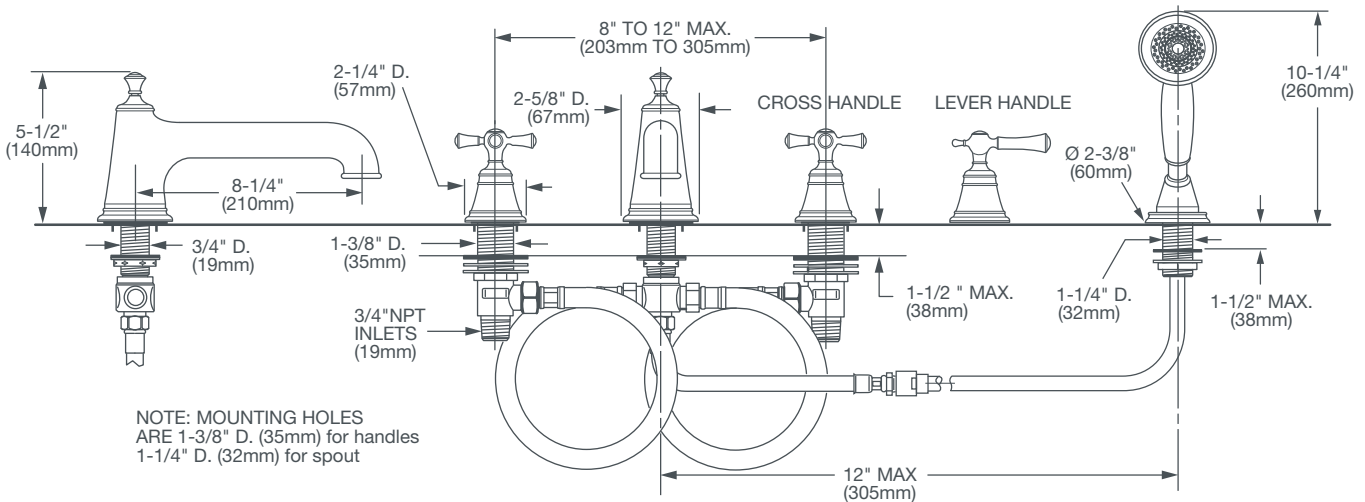
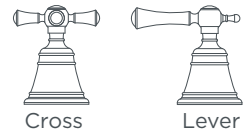
100
144
150

DESCRIPTION

Deck Mount Tub Filler
with Hand Shower
— Cross Handles
— Lever Handles

PRODUCT NUMBER

D35102940.XXX
D35102900.XXX



IMPORTANT: These measurements are subject to change or cancellation.
No responsibility is assumed for use of superseded or voided pages.



Meets the Americans with Disabilities Act
Guidelines and ANSI A117.1 Requirements
for the physically challenged.