



AMERICAN STANDARD

# RANDALL™ PRESSURE BALANCE TUB & SHOWER TRIM



- Cast brass spout & valve
- Ceramic disc valve cartridge
- Adjustable hot limit safety stop
- Pressure balance cartridge maintains constant output temperature in response to changes in relative hot and cold supply pressures
- Concealed mounting hardware
- Integral diverter
- Available with cross or lever handle

### CODES AND STANDARDS

Meets or Exceeds ASME A112.18.1/CSA B125.1/ASSE 1016

#### AVAILABLE FINISHES

- Polished Chrome
- Brushed Nickel
- Platinum Nickel
- Satin Brass

#### FINISH CODE

- 100
- 144
- 150
- 427

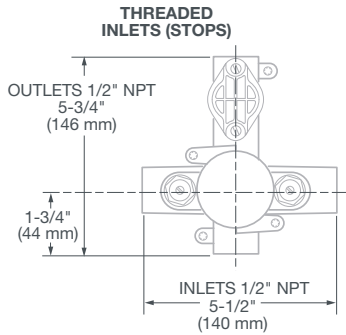
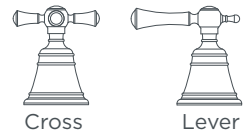
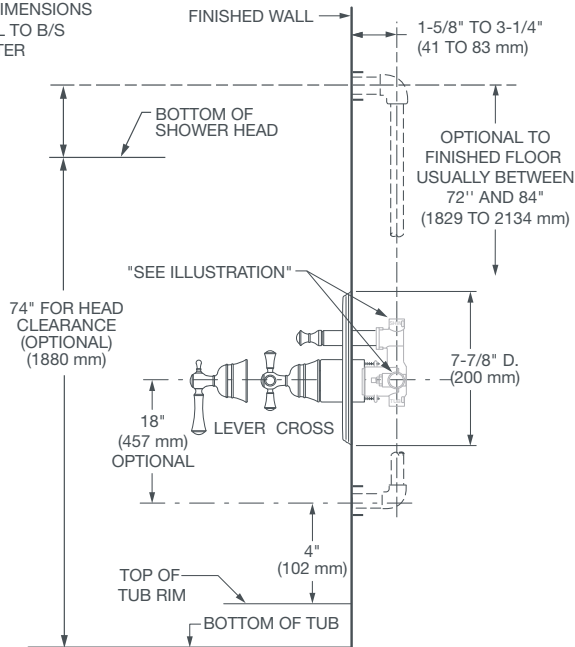
#### DESCRIPTION

- Pressure Balance
- Tub & Shower Trim
- Cross Handle
- Lever Handle
- Tub/Shower Rough Valve

#### PRODUCT NUMBER

- D35102640.XXX
- D35102600.XXX
- D35000600.191

NOTE: ALL DIMENSIONS ARE TYPICAL TO B/S WITH DIVERTER



**IMPORTANT:** These measurements are subject to change or cancellation. No responsibility is assumed for use of superseded or voided pages.



Meets the Americans with Disabilities Act Guidelines and ANSI A117.1 Requirements for the physically challenged.