



AMERICAN STANDARD

ASHBEE™ PRESSURE BALANCE SHOWER TRIM



- Cast brass valve
- Ceramic disc valve cartridge
- Adjustable hot limit safety stop
- Pressure balance cartridge maintains constant output temperature in response to changes in relative hot and cold supply pressures
- Concealed mounting hardware
- Available in cross and lever handles

CODES AND STANDARDS

Meets or Exceeds ASME A112.18.1/CSA B125.1/ASSE 1016

AVAILABLE FINISHES

- Polished Chrome
- Brushed Nickel
- Platinum Nickel

FINISH CODE

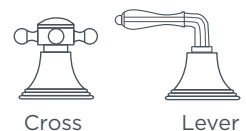
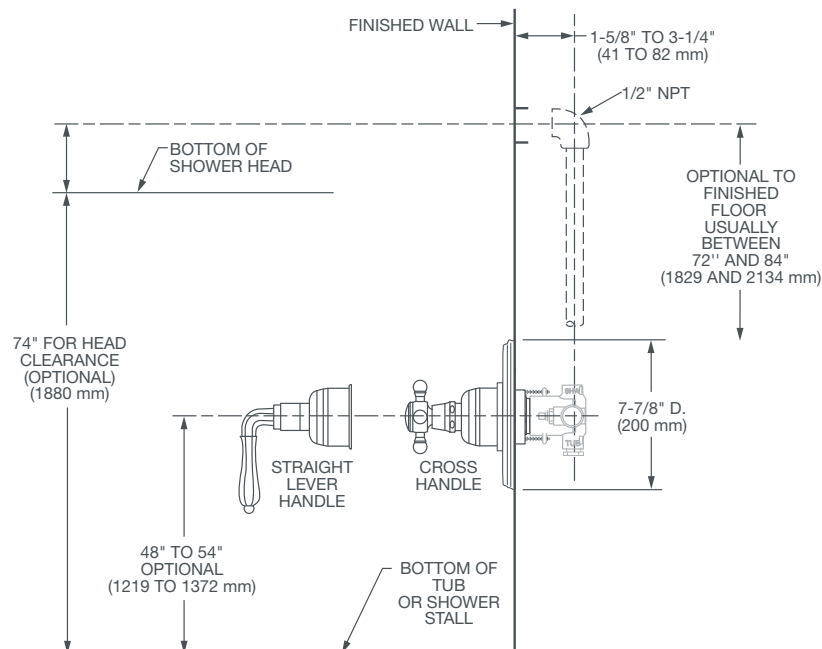
- 100
- 144
- 150

DESCRIPTION

- Pressure Balance Shower Trim
- Cross Handle
- Lever Handle
- Shower Rough Valve

PRODUCT NUMBER

- D35101540.XXX
- D35101500.XXX
- D35000500.191



IMPORTANT: These measurements are subject to change or cancellation. No responsibility is assumed for use of superseded or voided pages.



Meets the Americans with Disabilities Act Guidelines and ANSI A117.1 Requirements for the physically challenged.