



AMERICAN STANDARD

# REM™ THERMOSTATIC VALVE TRIM



- European minimalist design
- Ceramic disc valve cartridge
- Cast brass valve body with built-in check stops
- Adjustable hot limit safety stop
- Wax thermostatic unit permits shuttle valve to move between the hot and cold seats to maintain the preselected constant water temperature

### CODES AND STANDARDS

Meets or Exceeds ASME A112.18.1/CSA B125.1/ASSE 1016

#### AVAILABLE FINISHES

Polished Chrome  
Brushed Nickel

#### FINISH CODE

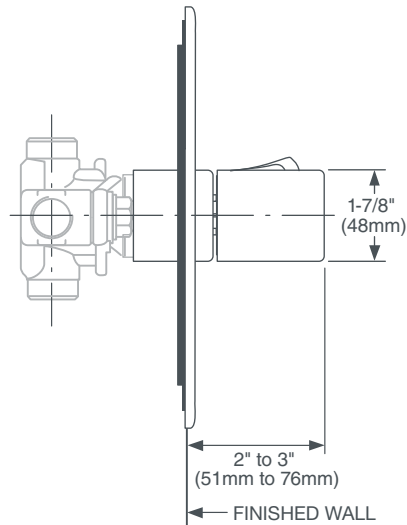
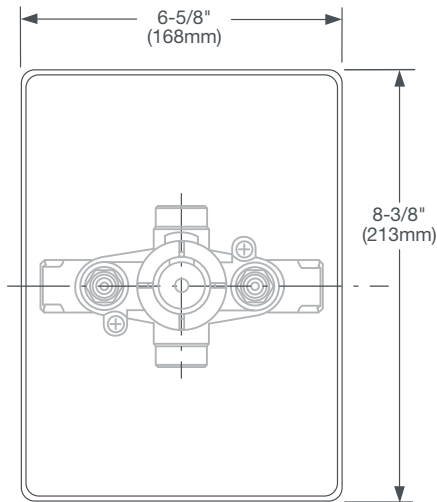
100  
144

#### DESCRIPTION

Thermostatic  
Valve Trim  
1/2" Rough Only  
3/4" Rough Only

#### PRODUCT NUMBER

D35100510.XXX  
  
D35000510.191  
D35000530.191



**IMPORTANT:** These measurements are subject to change or cancellation. No responsibility is assumed for use of superseded or voided pages.



Meets the Americans with Disabilities Act Guidelines and ANSI A117.1 Requirements for the physically challenged.