

FITZGERALD™

CONSOLE LAVATORY



FEATURES

- Fine fire clay
- Console stand with functional side towel bars supported to wall
- Adjustable period styled levelings
- Recessed rear overflow

DIMENSIONS

NOMINAL DIMENSIONS

28" x 22" (711 x 559 mm)

35-1/4" (895mm) rim height

BOWL INSIDE DIMENSIONS

20-1/8" (511 mm) wide

12-5/16" (313 mm) front to back

6-1/8" (155 mm) depth

COLORS/FINISHES

Canvas White (415), Biscuit (071)

Polished Chrome (002), Polished Nickel (008),

Satin Nickel (295)

SEPARATE COMPONENTS

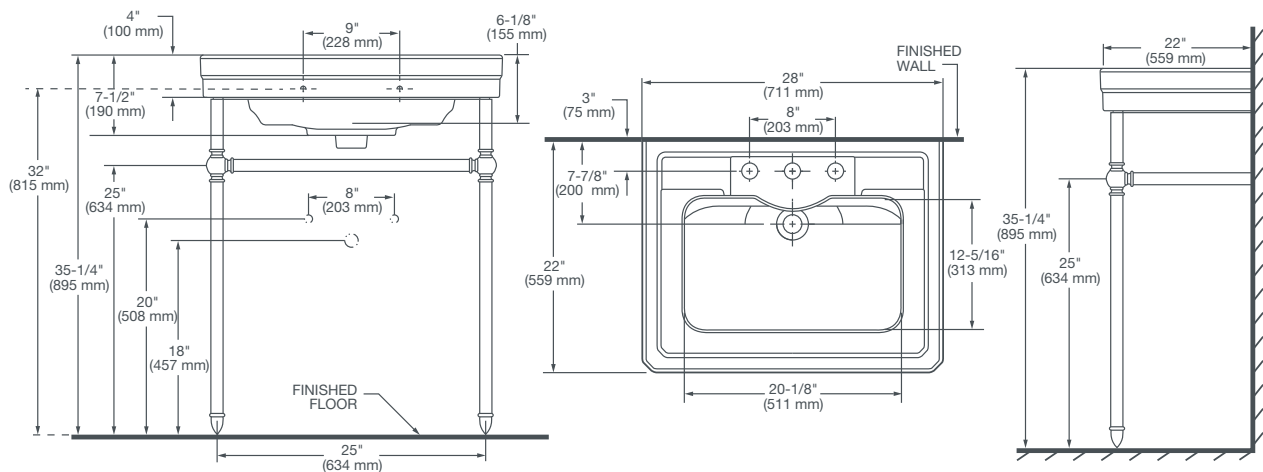
D20015008.XXX Lavatory with Three Hole

D20015001.XXX Lavatory with Single Hole

D21410028.XXX Console Stand

COMPLIANCE CERTIFICATIONS

Meets or Exceeds ASME A112.19.2/CSA B45.1-0



NOTES: **NOTE:** Locate supplies and "P" trap in open area.
 Dimension shown for location of supplies and "P" trap are suggested. Secure furniture in accordance with installation instructions provided. Fittings not included with fixture and must be ordered separately.
 Installation Instructions supplied with lavatory and console legs.

IMPORTANT: Dimensions of fixtures are nominal and may vary within the range of tolerance established by ANSI standards. These measurements are subject to change or cancellation. No responsibility is assumed for use of superseded or voided pages.