



AMERICAN STANDARD

# FITZGERALD™ BIDET



**D25000004.XXX**

### FEATURES

- Vitreous china
- Traditional styling
- Bolt caps included

### DIMENSIONS

#### NOMINAL DIMENSIONS

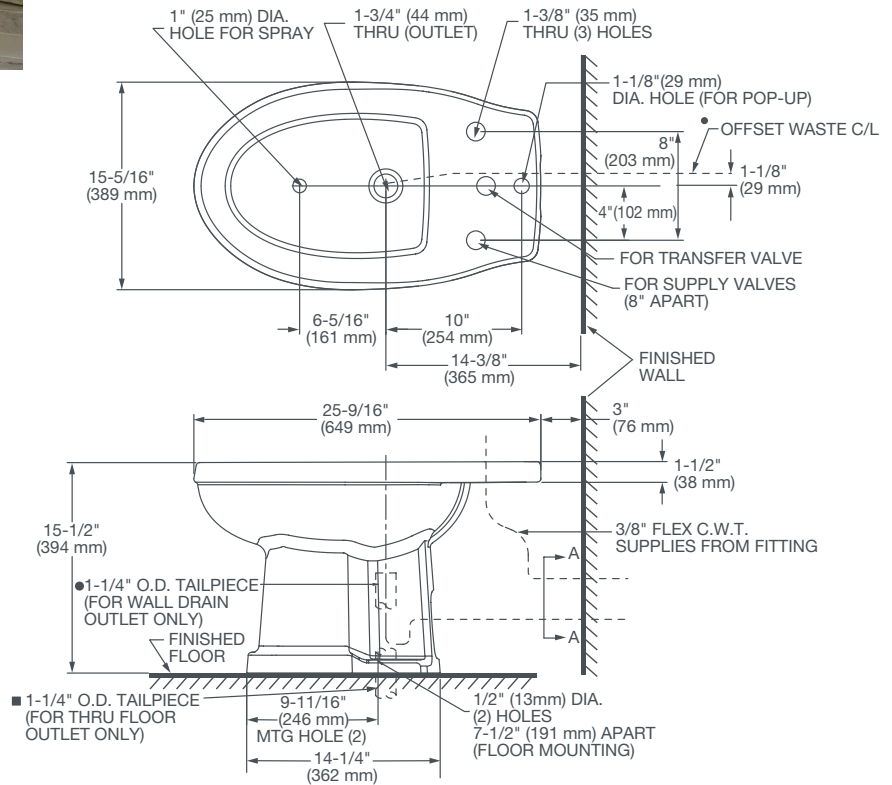
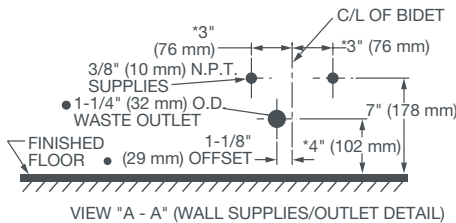
15-5/16" x 25-9/16" x 15-1/2" (389 x 649 x 394 mm)

#### BOWL INSIDE DIMENSIONS

9-7/8" (251 mm) wide  
 14-1/4" (362 mm) front to back  
 5-1/4" (133 mm) depth

### COLORS/FINISHES

Canvas White (415), Biscuit (071)



### NOTES:

This toilet is designed to rough-in at a minimum dimension of 12" (305mm) from finished wall to C/L of outlet.

Supply not included with fixture and must be ordered separately.  
Includes flex supply with integral shutoff valve, seat and bolt caps.

\* Dimensions shown for location of supply is suggested.

### IMPORTANT:

Dimensions of fixtures are nominal and may vary within the range of tolerance established by ANSI Standard A112.19.2. These measurements are subject to change or cancellation. No responsibility is assumed for use of superseded or voided pages.