



FITZGERALD®

PRESSURE BALANCE SHOWER VALVE TRIM



- Cast brass valve with built-in check stops
- Ceramic disc valve cartridge
- Adjustable hot limit safety stop
- Double ceramic pressure balance cartridge: combination of ceramic disc mixing valve and a ceramic balancing spool in a one-piece cartridge
- Includes one-piece cartridge for easier installation and maintenance.
- For use with Flash Shower Rough-In Valves
- Concealed mounting hardware

CODES AND STANDARDS

Meets or Exceeds ASME A112.18.1/CSA B25.1 and ASSE 1016/ASME A112.1016/CSA B125.16

DESCRIPTION

Pressure Balance
Shower Valve Trim
Lever Handle (ADA only)

PRODUCT NUMBER

D35160F00.XXX

REQUIRED COMPONENTS

Flash Shower Rough-in Valve

D35101SS0.191

AVAILABLE FINISHES

Polished Chrome
Brushed Nickel
Platinum Nickel

FINISH CODE

100
144
150



Polished
Chrome



Brushed
Nickel



Platinum
Nickel

ROUGH-IN DIAGRAM
SHOWN ON NEXT PAGE

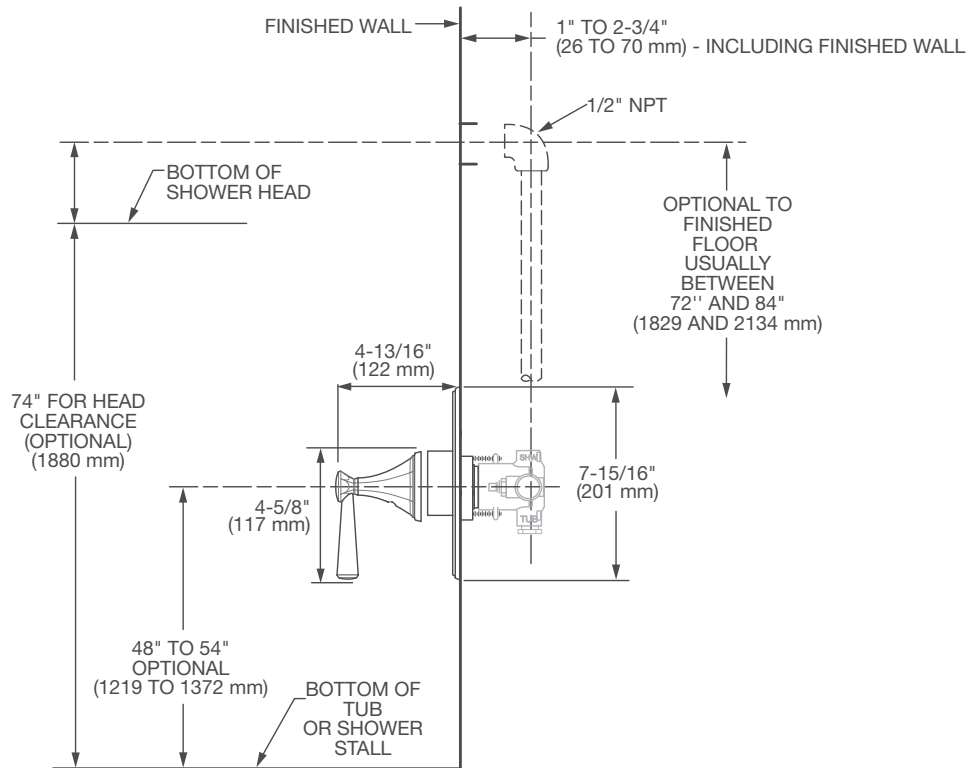


Meets the Americans with Disabilities Act Guidelines and ANSI A117.1 Requirements for the physically challenged.



FITZGERALD[®]

PRESSURE BALANCE SHOWER VALVE TRIM



IMPORTANT: These measurements are subject to change or cancellation. No responsibility is assumed for use of superseded or voided pages.

PART OF **LIXIL**