



OAK HILL®

PRESSURE BALANCE SHOWER VALVE TRIM




- The Oak Hill Pressure Balance Valve Trim from DXV brings the charm and lasting appeal of the traditional farmhouse aesthetic into today's home
- Cast brass valve with built-in check stops
- Ceramic disc valve cartridge
- Adjustable hot limit safety stop
- Double ceramic pressure balance cartridge: combination of ceramic disc mixing valve and a ceramic balancing spool in a one-piece cartridge
- Includes one-piece cartridge for easier installation and maintenance.
- For Use with Flash shower rough-in valves
- Concealed mounting hardware

CODES AND STANDARDS

Meets or Exceeds ASME A112.18.1/CSA B125.1 and ASSE 1016/ASME A112.1016/CSA B125.16

DESCRIPTION

Pressure Balance Shower Trim
Lever Handle 

Pressure Balance Shower Trim
Cross Handle

Shower Rough Valve
(required component)

PRODUCT NUMBER

D35155500.XXX

D35155540.XXX

D35101SS10.191

AVAILABLE FINISHES

Polished Chrome

Brushed Nickel

Platinum Nickel

Satin Nickel

FINISH CODE

100

144

150

427



Polished
Chrome



Brushed
Nickel



Platinum
Nickel



Satin
Brass

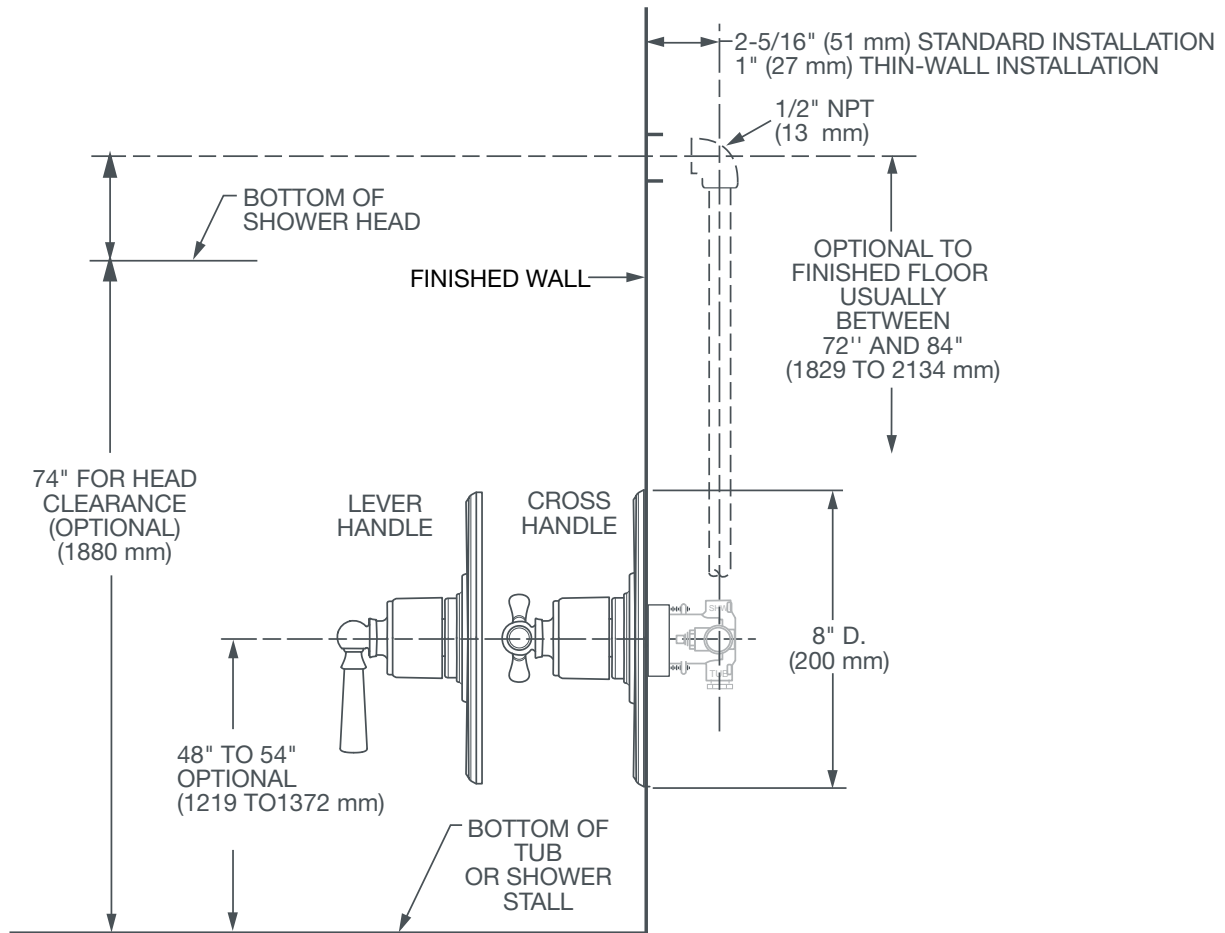
ROUGH-IN DIAGRAM
SHOWN ON NEXT PAGE





OAK HILL[®]

PRESSURE BALANCE SHOWER VALVE TRIM



IMPORTANT: These measurements are subject to change or cancellation. No responsibility is assumed for use of superseded or voided pages.

PART OF LIXIL