

OAK HILL[®]

TOWEL RING



- The Oak Hill Accessories brings the charm and lasting appeal of the traditional farmhouse aesthetic into today's home
- Metal construction
- Concealed mounting
- Includes assembly hardware

DESCRIPTION

Towel Ring

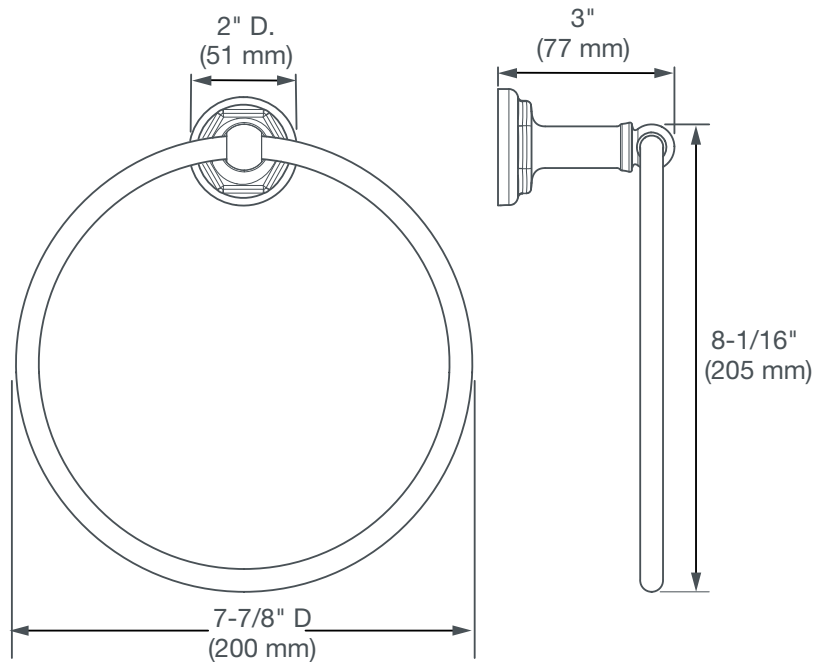
PRODUCT NUMBER

D35155190.XXX

AVAILABLE FINISHES

Polished Chrome	100
Brushed Nickel	144
Platinum Nickel	150
Satin Brass	427

FINISH CODE



IMPORTANT: These measurements are subject to change or cancellation. No responsibility is assumed for use of superseded or voided pages.