

TRADITIONAL 5-FUNCTION HAND SHOWER



- Five spray functions — change function by simply turning the edge of face plate
- Includes flow restrictor
- 1/2" — 14 NPSM hose connection
- Maximum hand shower flow rate: 2.0 gpm (7.6 L/min)
- Low hand shower flow rate: 1.8 gpm (6.8 L/min)

CODES AND STANDARDS

Meets or Exceeds ASME A112.18.1/ CSA B125.1,

EPA WaterSense® Certified

CEC and CALGreen® Compliant

Available Finishes

Polished Chrome
Brushed Nickel
Platinum Nickel
Satin Brass

Finish Code

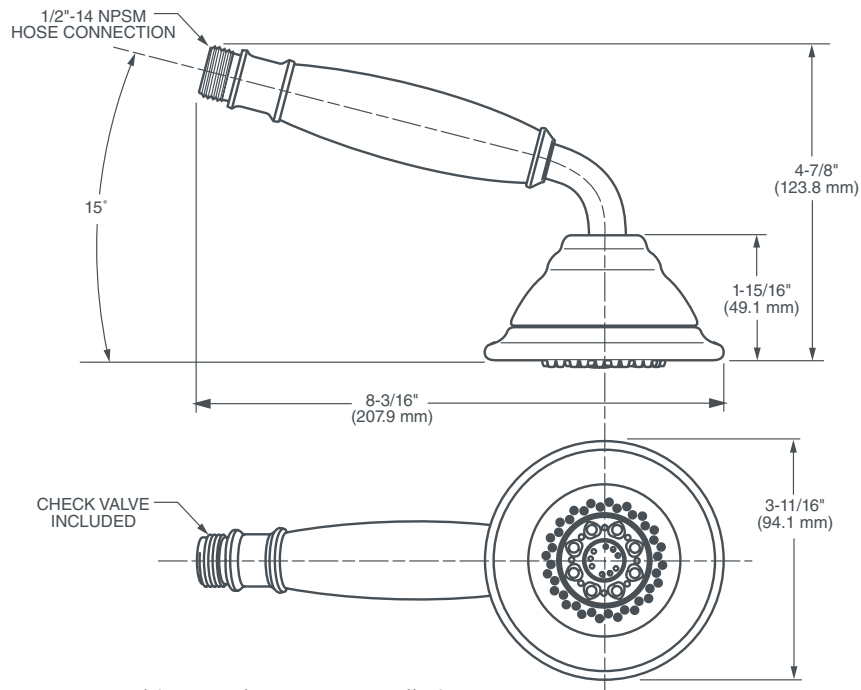
100
144
150
427

DESCRIPTION

Traditional 5-Function
Hand Shower
2.0 gpm (7.6 L/min)
1.8 gpm (6.8 L/min)

PRODUCT NUMBER

D35107781.XXX
D3510778C.XXX



IMPORTANT: These measurements are subject to change or cancellation. No responsibility is assumed for use of superseded or voided pages.

CALGreen® is a registered trademark of California Building Standards Commission.