



RANDALL® DECK MOUNT TUB FILLER WITH HAND SHOWER



- Cast brass spout and side valves
- Ceramic disc valve cartridges
- Flexible hose connections for 8"-12" installations
- Hand shower included
- Available with cross or lever handles
- Hand shower features 5 ft (1.5 m) metal hose
- Maximum hand shower flow rate: 2.0 gpm (7.6 L/min)
- Low hand shower flow rate: 1.8 gpm (6.8 L/min)

CODES AND STANDARDS

Meets or Exceeds ASME A112.18.1/CSA B125.1

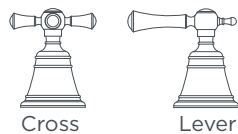
CEC and CALGreen® Compliant

AVAILABLE FINISHES

Polished Chrome
Brushed Nickel
Platinum Nickel
Satin Brass

FINISH CODE

100
144
150
427



DESCRIPTION

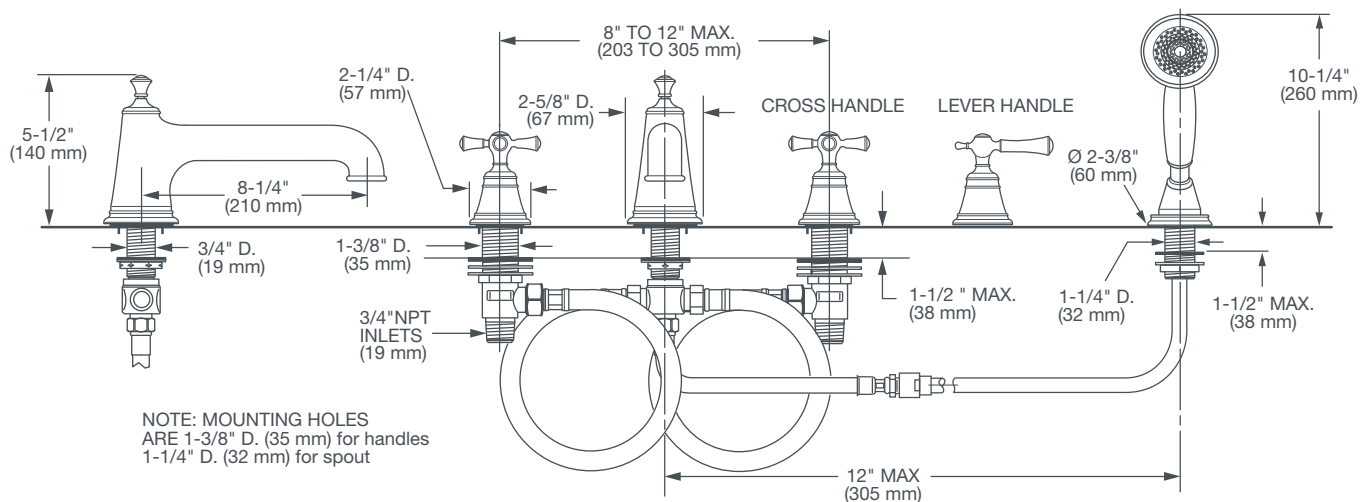
Deck Mount Tub Filler
with Hand Shower
2.0 gpm (7.6 L/min)
— Cross Handles
— Lever Handles (ADA only)

1.8 gpm (6.8 L/min)
— Cross Handles
— Lever Handles (ADA only)

PRODUCT NUMBER

D35102940.XXX
D35102900.XXX

D3510294C.XXX
D3510290C.XXX



IMPORTANT: These measurements are subject to change or cancellation. No responsibility is assumed for use of superseded or voided pages.

CALGreen® is a registered trademark of California Building Standards Commission.



Meets the Americans with Disabilities Act Guidelines and ANSI A117.1 Requirements for the physically challenged.

PART OF LIXIL