



EQUILITY™ (Formerly LYNDON®)

BIDET



D25005001.415

FEATURES

- Vitreous china
- Designed to match Contemporary toilets styles
- Drilled for single-hole faucet
- Angle of the aerator swivels to allow for adjustment
- Bolt caps included in Polished Chrome.
Canvas White caps available upon request.

DIMENSIONS

NOMINAL DIMENSIONS

20-1/2" X 14-1/8" X 16-3/8" (521 X 359 X 416 mm)

BOWL INSIDE DIMENSIONS

10-7/8" (276 mm) wide
13-3/4" (349 mm) length
6-3/8" (162 mm) depth

COLORS/FINISHES

Canvas White (415)

COMPLIANCE CERTIFICATIONS

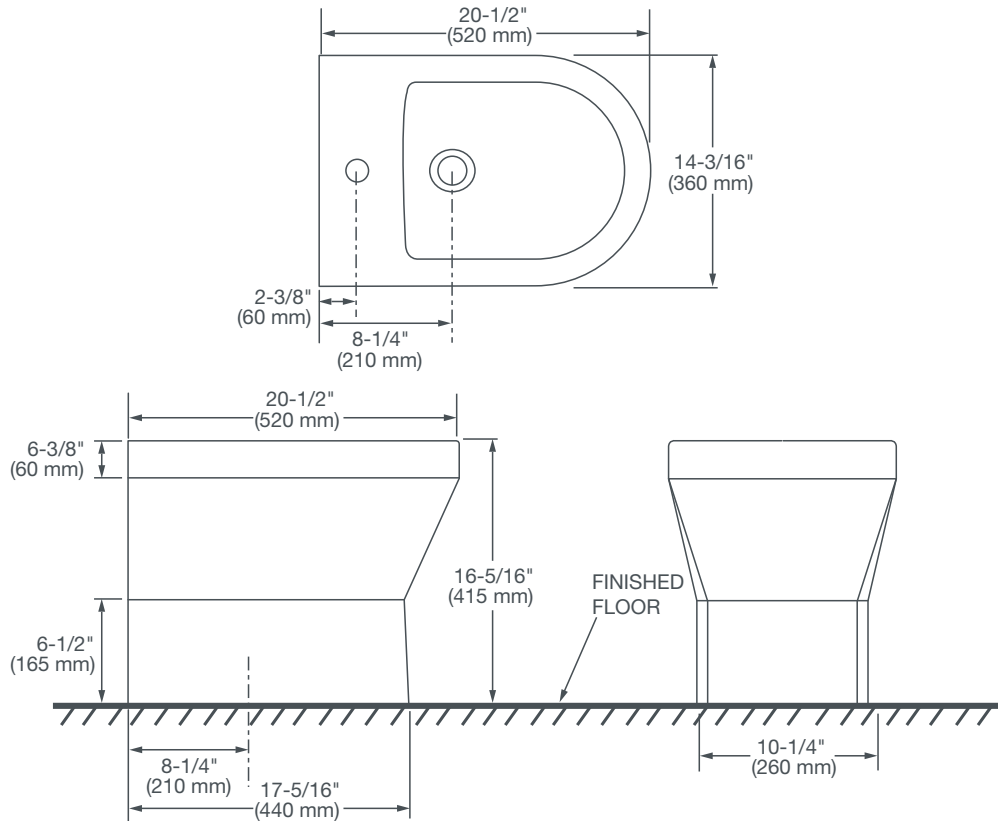
Meets or Exceeds ASME A112.19.2-2008/CSA B45.1-08

ROUGH-IN DIAGRAM SHOWN
ON NEXT PAGE



EQUILITY™ (Formerly LYNDON®)

BIDET



NOTES:

This bidet is designed to rough-in at a minimum dimension of 12" (305 mm) from finished wall to C/L of outlet.
Supply not included with fixture and must be ordered separately.
Dimensions shown for location of supply is suggested.

IMPORTANT:

Dimensions of fixtures are nominal and may vary within the range of tolerance established by ANSI Standard A112.19.2.
These measurements are subject to change or cancellation. No responsibility is assumed for use of superseded or voided pages.

PART OF LIXIL