



# RANDALL®

## 1/2" OR 3/4"

### THERMOSTATIC VALVE TRIM



- Ceramic disc valve cartridge
- Cast brass valve body with built-in check stops
- Adjustable hot limit safety stop
- Available with cross or lever handle
- Wax thermostatic unit permits shuttle valve to move between the hot and cold seats to maintain the preselected constant water temperature
- Concealed mounting hardware

#### CODES AND STANDARDS

Meets or Exceeds ASME A112.18.1/CSA B125.1/ASSE 1016

#### AVAILABLE FINISHES

Polished Chrome  
Brushed Nickel  
Platinum Nickel  
Satin Brass

#### FINISH CODE

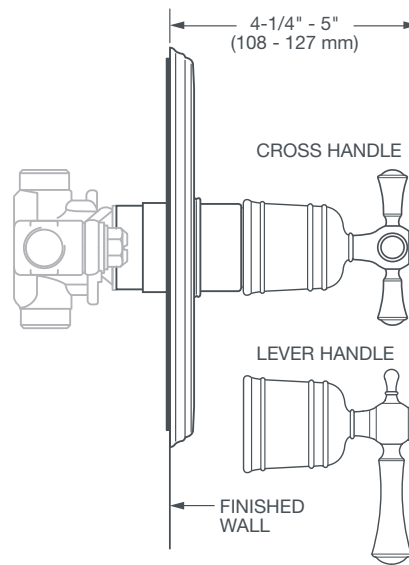
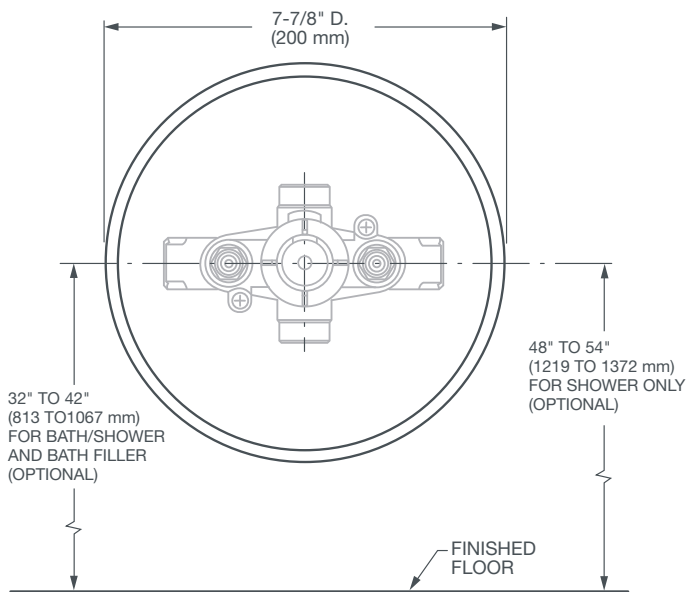
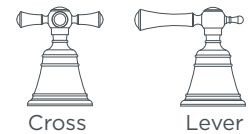
100  
144  
150  
427

#### DESCRIPTION

1/2" or 3/4" Thermostatic Trim  
— Cross Handle  
— Lever Handle (ADA only)  
1/2" Thermostatic Rough Valve  
(required component)  
3/4" Thermostatic Rough Valve  
(required component)

#### PRODUCT NUMBER

D35102514.XXX  
D35102510.XXX  
D35000510.191  
D35000530.191



**IMPORTANT:** These measurements are subject to change or cancellation. No responsibility is assumed for use of superseded or voided pages.

PART OF LIXIL

©2017 AS America Inc.

Revised 2/17



Meets the Americans with Disabilities Act Guidelines and ANSI A117.1 Requirements for the physically challenged.

www.d xv.com