



PERCY®

DECK MOUNT TUB FILLER WITH HAND SHOWER



- Contemporary design with industrial elegance
- Cast brass spout and side valves
- Ceramic disc valve cartridges
- Distinct, geometric handle design
- Flexible hose connections for 8"– 12" installations
- Hand shower features 5 ft (1.5 m) metal hose
- Hand shower maximum flow rate: 1.8 gpm (6.8 L/min.)

CODES AND STANDARDS

Meets or Exceeds ASME A112.18.1/CSA B125.1

- CEC and CALGreen® Compliant

AVAILABLE FINISHES

Polished Chrome
Brushed Nickel

FINISH CODE

100
144

DESCRIPTION

Deck Mount Tub Filler with Hand Shower
– Cross Handles
– Lever Handles (ADA only)
– Tri-Spoke Handles

PRODUCT NUMBER

D35105940.XXX
D35105900.XXX
D35105970.XXX



Cross



Lever



Tri-Spoke

ROUGH-IN DIAGRAM
SHOWN ON NEXT PAGE

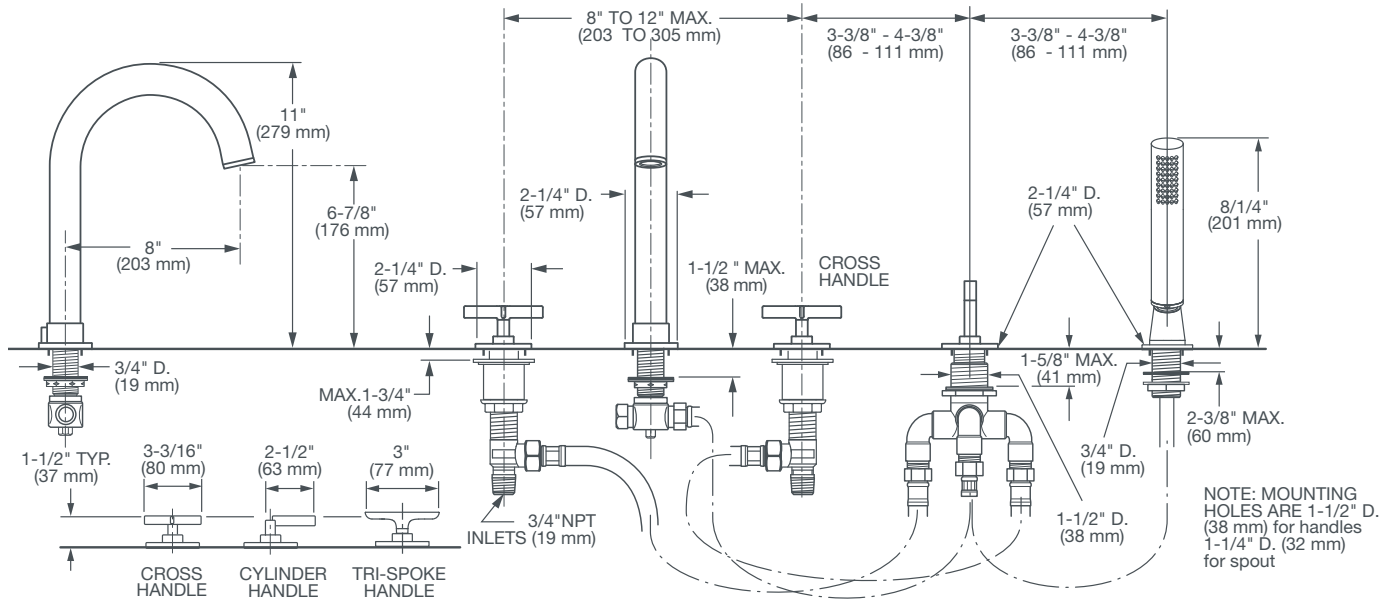
 CALGreen® is a registered trademark of California Building Standards Commission.



Meets the Americans with Disabilities Act Guidelines and ANSI A117.1 Requirements for the physically challenged.



PERCY® DECK MOUNT TUB FILLER WITH HAND SHOWER



IMPORTANT: These measurements are subject to change or cancellation.
No responsibility is assumed for use of superseded or voided pages.

PART OF **LIXIL**