



PERCY®

3-HANDLE THERMOSTATIC VALVE TRIM



- Contemporary design with industrial elegance
- 1/8" Thin profile
- Forged brass escutcheon plate
- Concealed mounting hardware
- Rough-in valve sold separately

CODES AND STANDARDS

Meets or Exceeds ASME A112.18.1/CSA B125.1

DESCRIPTION

3-Handle Thermostatic Valve Trim Kit

PRODUCT NUMBER

D35105537.XXX

REQUIRED VALVE OPTIONS

3-Handle Thermostatic Rough Valve with 2 Volume Controls

D35005532.191

3-Handle Thermostatic Rough Valve with 2-Way Diverter
(Discrete Functions)

D35005533.191

3-Handle Thermostatic Rough Valve with 2-Way Diverter
(Shared Functions)

D35005533S.191

AVAILABLE FINISHES

Polished Chrome

Brushed Nickel

FINISH CODE

100

144

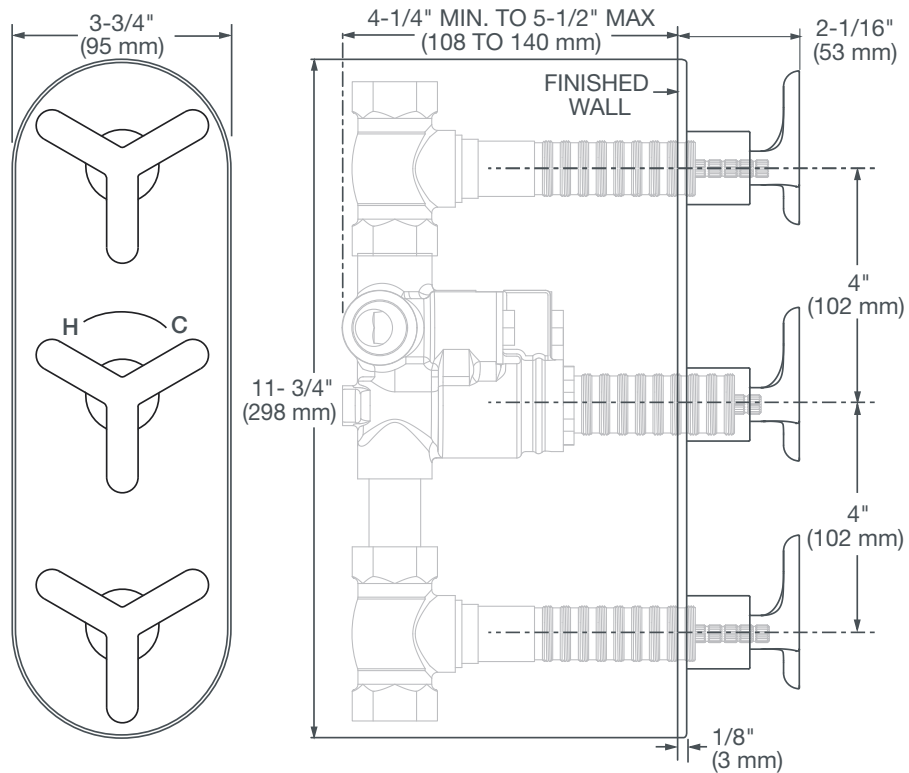
ROUGH-IN DIAGRAM
SHOWN ON NEXT PAGE





PERCY[®]

3-HANDLE THERMOSTATIC VALVE TRIM



IMPORTANT: These measurements are subject to change or cancellation.
No responsibility is assumed for use of superseded or voided pages.