

KEEFE®

DECK MOUNT TUB FILLER WITH HAND SHOWER



- Cast brass spout and side valves
- Ceramic disc valve cartridges
- Flexible hose connections for 8"–12" installations
- Hand shower included
- Hand shower features 5 ft (1.5 m) metal hose
- Maximum hand shower flow rate: 2.0 gpm (7.6 L/min)
- Low hand shower flow rate: 1.8 gpm (6.8 L/min)

CODES AND STANDARDS

Meets or Exceeds ASME A112.18.1/CSA B125.1

CEC and CALGreen® Compliant

AVAILABLE FINISHES

Polished Chrome
Brushed Nickel

FINISH CODE

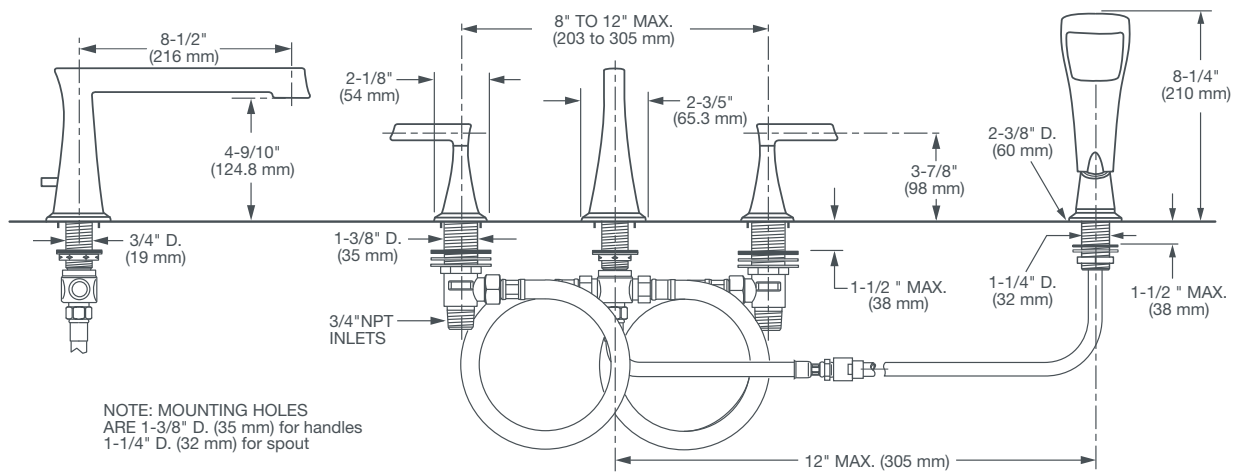
100
144

DESCRIPTION

Deck Mount Tub Filler with Hand Shower
2.0 gpm (7.6 L/min)
1.8 gpm (6.8 L/min)

PRODUCT NUMBER

D35104900.XXX
D3510490C.XXX



IMPORTANT: These measurements are subject to change or cancellation.
No responsibility is assumed for use of superseded or voided pages.

PART OF LIXIL

