



# REM<sup>®</sup> DECK MOUNT TUB FILLER WITH HAND SHOWER



- European minimalist design
- Cast brass spout and side valves
- Ceramic disc valve cartridges
- Multifunction hand shower with 5 ft. (1.5 m) metal hose
- Maximum hand shower flow rate: 2.0 gpm (7.6 L/min)
- Low hand shower flow rate: 1.8 gpm (6.8 L/min)

### CODES AND STANDARDS

Meets or Exceeds ASME A112.18.1/CSA B125.1

- CEC and CALGreen<sup>®</sup> Compliant

### AVAILABLE FINISHES

Polished Chrome  
Brushed Nickel

### FINISH CODE

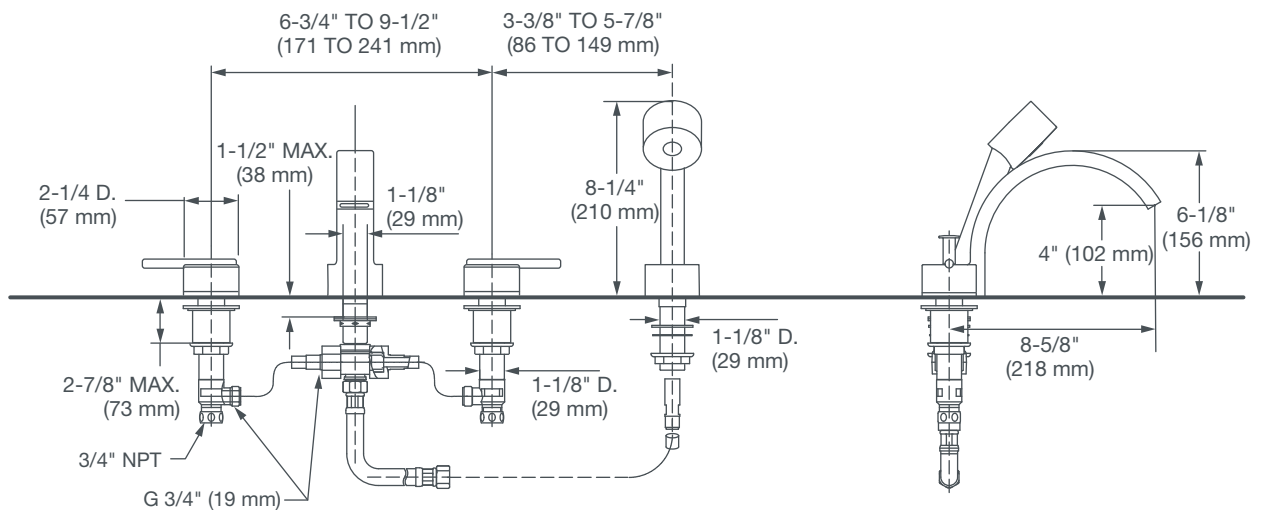
100  
144

### DESCRIPTION

Deck Mount Tub Filler  
with Hand Shower  
2.0 gpm (7.6 L/min)  
1.8 gpm (6.8 L/min)

### PRODUCT NUMBER

D35100900.XXX  
D3510090C.XXX



NOTE: MOUNTING HOLES  
ARE 1-1/4" (32mm) D.

**IMPORTANT:** These measurements are subject to change or cancellation.  
No responsibility is assumed for use of superseded or voided pages.

PART OF **LIXIL**

CALGreen<sup>®</sup> is a registered trademark of California Building Standards Commission.



Meets the Americans with Disabilities Act Guidelines and ANSI A117.1 Requirements for the physically challenged.