



REM[®] MULTIFUNCTION SHOWERHEAD



- Sleek and minimalist design
- Three spray functions: full, aerated and massage
- Includes arm and flange
- 1/2" NPT
- Self cleaning
- Maximum flow rate: 2.0 gpm (7.6 L/min)
- Low flow rate: 1.8 gpm (6.8 L/min)

CODES AND STANDARDS

Meets or Exceeds ASME A112.18.1/CSA B125.1

EPA WaterSense[®] Certified

CEC and CALGreen[®] Compliant

AVAILABLE FINISHES

Polished Chrome
Brushed Nickel

FINISH CODE

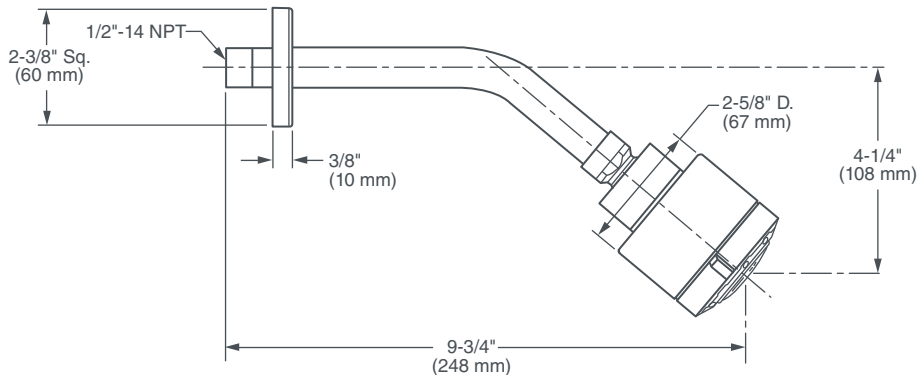
100
144

DESCRIPTION

Multifunction Showerhead
2.0 gpm (7.6 L/min)
1.8 gpm (6.8 L/min)

PRODUCT NUMBER

D35100775.XXX
D3510077C.XXX



IMPORTANT: These measurements are subject to change or cancellation. No responsibility is assumed for use of superseded or voided pages.

CALGreen[®] is a registered trademark of California Building Standards Commission.

PART OF **LIXIL**