

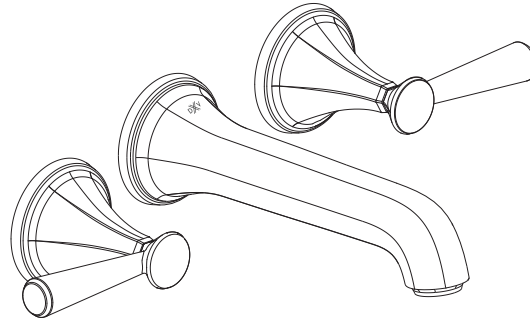
# INSTALLATION INSTRUCTIONS



## Fitzgerald® Wall-Mounted Lavatory Faucet

Models D35160450

To be used with D35000450.191  
Dual Control Wall Mount Lavatory Rough



*Thank you for selecting DXV. To ensure that your installation proceeds smoothly, please read these instructions carefully before you begin.*

### RECOMMENDED TOOLS AND MATERIALS

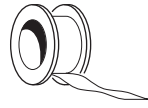
Most of the procedures require the use of common tools and materials, which are available from hardware and plumbing supply stores. It is essential that the tools and materials be on hand before work has begun.



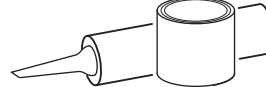
Adjustable Wrench



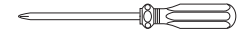
Channel Locks



Teflon Tape



Plumbers' Putty or Caulking



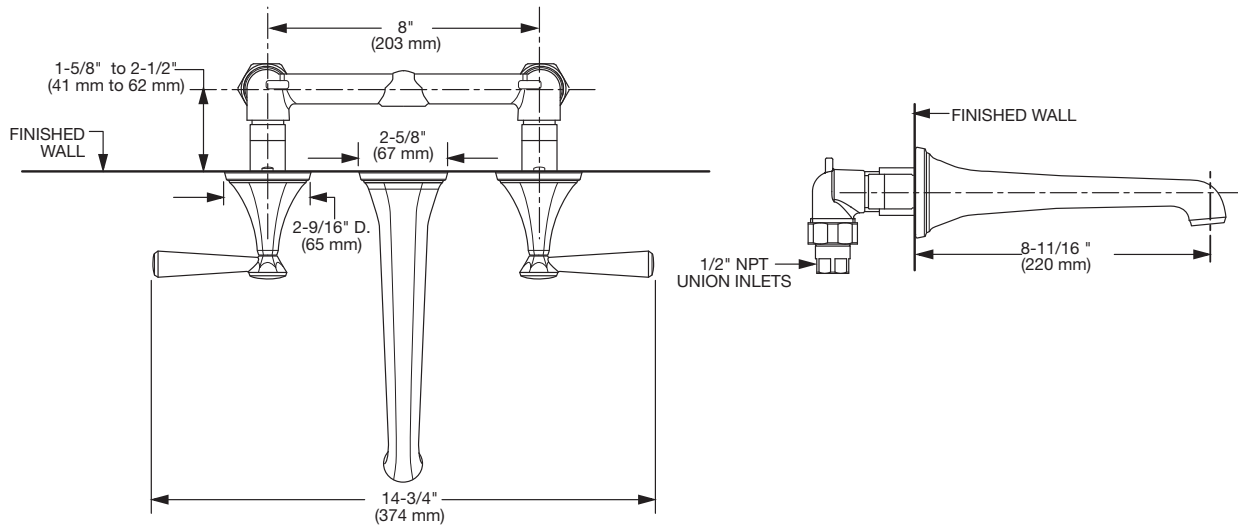
Phillips Screwdriver



Flat Blade Screwdriver

### ROUGHING-IN DIMENSIONS:

• For reference



#### In the United States:

DXV  
One Centennial Avenue  
Piscataway, New Jersey 08855  
Attention: Director of Customer Care

For residents of the United States, warranty information may also be obtained by calling the following toll free number: (800) 227-2734  
[www.DXV.com](http://www.DXV.com)

#### In Canada:

DXV  
5900 Avebury Road  
Mississauga, Ontario  
L5R 3M3  
Canada

Toll Free: 1-800-387-0369  
Local: 905-306-1093  
Fax: 1-800-395-1498  
[www.DXV.ca](http://www.DXV.ca)

#### In Mexico:

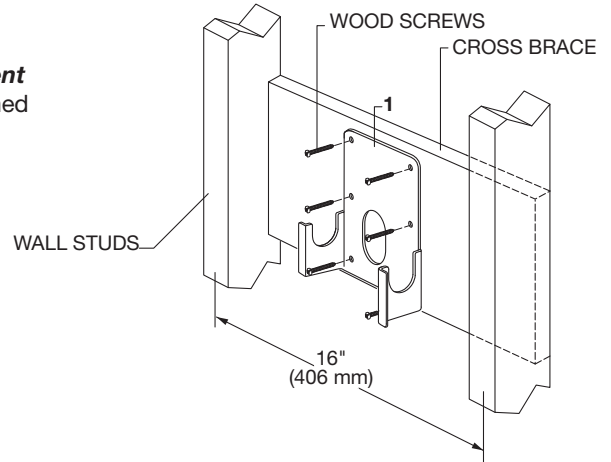
DXV  
Via Morelos 330  
Col. Santa Clara Coatitla  
Ecatepec, Estado de México 55540

Toll Free: 01-800-8391200  
[www.DXV.mx](http://www.DXV.mx)

S A V E F O R F U T U R E U S E

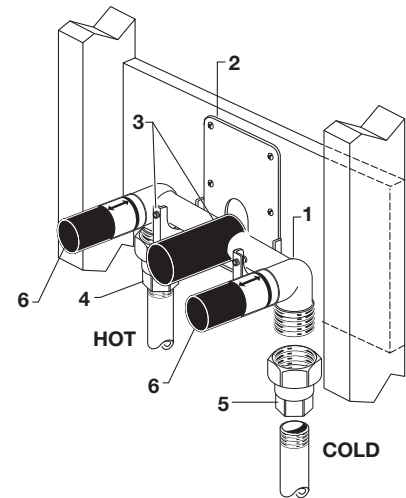
## 1 INSTALL WALL BRACKET

- Determine where the finished wall location will be. **This measurement is very important! Note:** The rough-in measurement from the finished wall is; 1-9/16" (40 mm) minimum and 2-7/16" (62 mm) maximum. This is a 7/8" (22 mm) tolerance. See rough-in illustration.
- Secure WALL BRACKET (1) to cross brace of wall structure at required height using six wood screws.



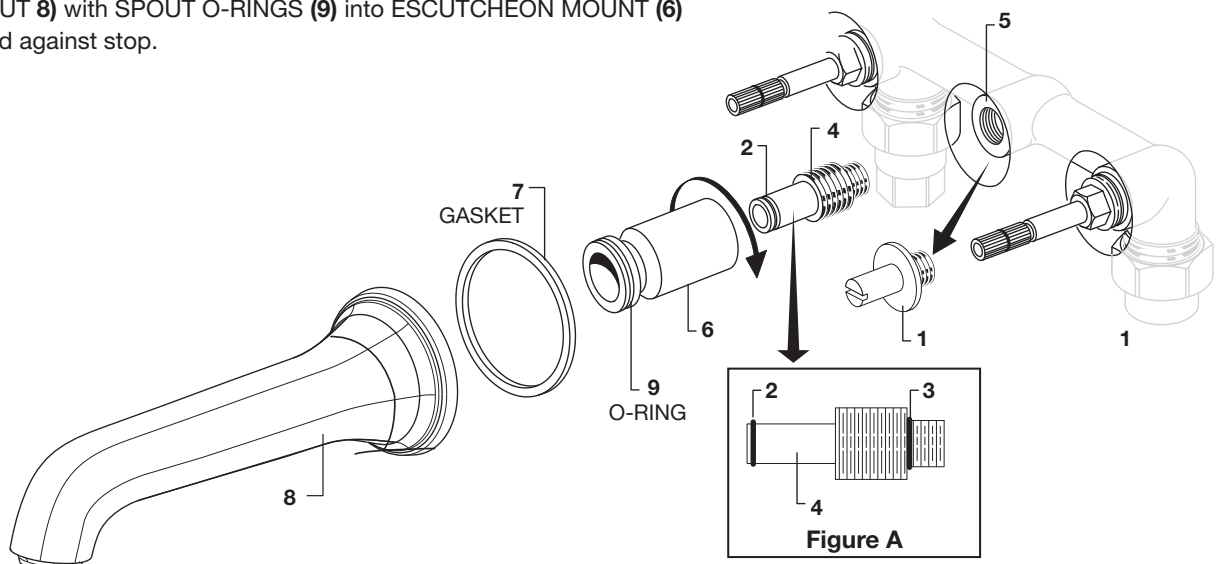
## 2 INSTALL VALVE BODY

- Mount VALVE BODY (1) to WALL BRACKET (2) as shown. Level and tighten SET SCREWS (3) to secure VALVE BODY (1) to WALL BRACKET (2).
- Connect HOT water supply to LEFT INLET UNION (4) and COLD water supply to RIGHT INLET UNION (5). Pipe connections are 1/2" NPT. Use sealant or Teflon tape on pipe connections. **Do not solder directly to valve body.**
- With valves closed open supply lines and check for leaks. Remove PLASTER GUARDS (6) and open both valves and check for leaks.
- Close both valves and turn off water supplies. Replace PLASTER GUARDS (6) and finish wall construction.



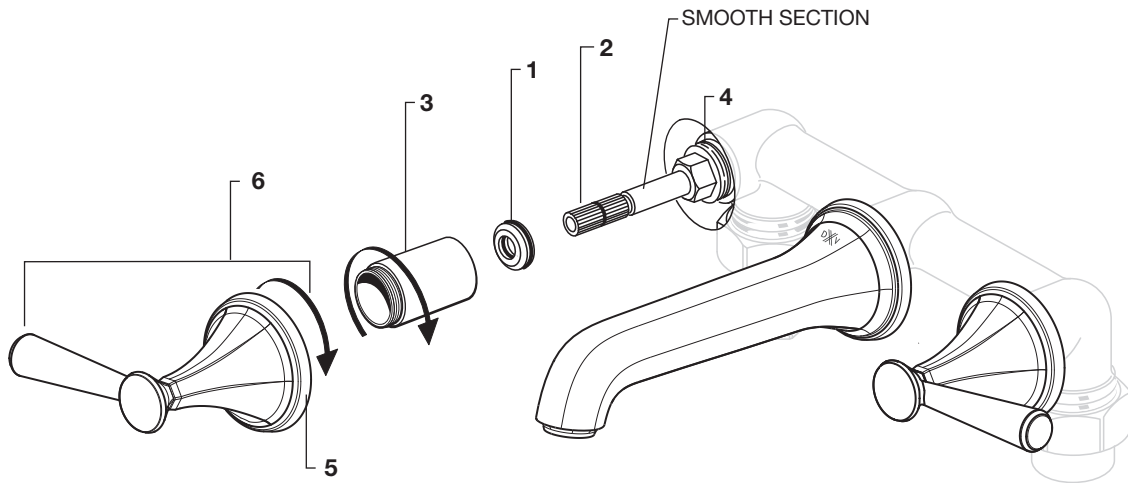
## 3 INSTALL HANDLE

- Remove PLASTER GUARDS and unthread ROUGH-IN NIPPLE (1).
- Inspect that SPOUT NIPPLE O-RINGS (2 & 3) are seated in the grooves of SPOUT NIPPLE (4).
- Thread SPOUT NIPPLE (4) into VALVE BODY (5). Tighten SPOUT NIPPLE (4) to VALVE BODY (5).
- Thread ESCUTCHEON MOUNT (6) onto SPOUT NIPPLE (4) until it engages the O-RING (2).
- Make sure GASKET (7) is in place. ESCUTCHEON MOUNT (6) Flush against finished wall.
- Push SPOUT (8) with SPOUT O-RINGS (9) into ESCUTCHEON MOUNT (6) until seated against stop.



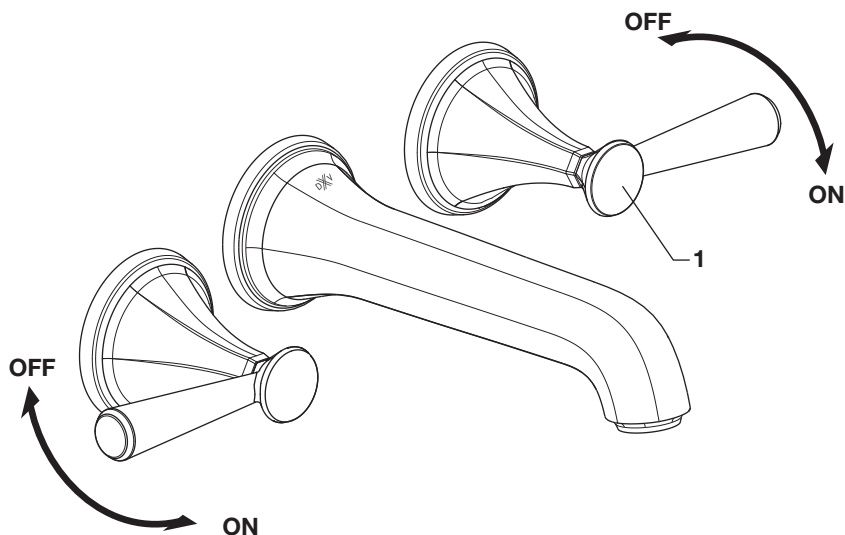
#### 4 INSTALL HANDLES

- Slide BARREL SLEEVE WASHER (1) onto VALVE STEM (2) until WASHER (1) is on the smooth section of the VALVE STEM (2).
- Thread BARREL SLEEVE (3) onto VALVE BODY (4) and tighten.
- Align HANDLE as shown or as desired and install HANDLE ASSEMBLY (6) onto VALVE STEM (2).
- Thread HANDLE BASE (5) onto BARREL SLEEVE (3) until tight.
- Turn on the water supply. Check that the fitting works correctly and does not leak.



#### 5 TEST INSTALLED FAUCET

- With HANDLE (1) in OFF position, turn on WATER SUPPLIES and check all connections for leaks.
- Operate HANDLES (1) to flush water lines thoroughly.





# Fitzgerald® Wall-Mounted Lavatory Faucet

MODEL NUMBERS

**D35160450**

Replace the “YYY” with appropriate finish code

POLISHED CHROME	100
BRUSHED NICKEL	144
PLATINUM NICKEL	150

