

INSTALLATION INSTRUCTIONS

Percy® Single Lever Faucet with Grid Drain

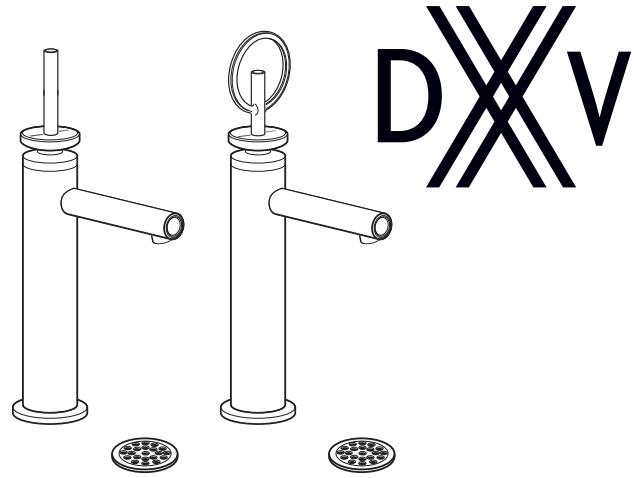
Loop Handle Vessel

Models D35105157, D35105154RB

Pixie Handle Vessel

Models D35105152, D35105104RB

Thank you for selecting DXV. To ensure that your installation proceeds smoothly, please read these instructions carefully before you begin.



DXV

RECOMMENDED TOOLS AND MATERIALS

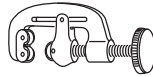
Most of the procedures require the use of common tools and materials, which are available from hardware and plumbing supply stores. It is essential that the tools and materials be on hand before work is begun.



Adjustable Wrench



Channel Locks



Tubing Cutter



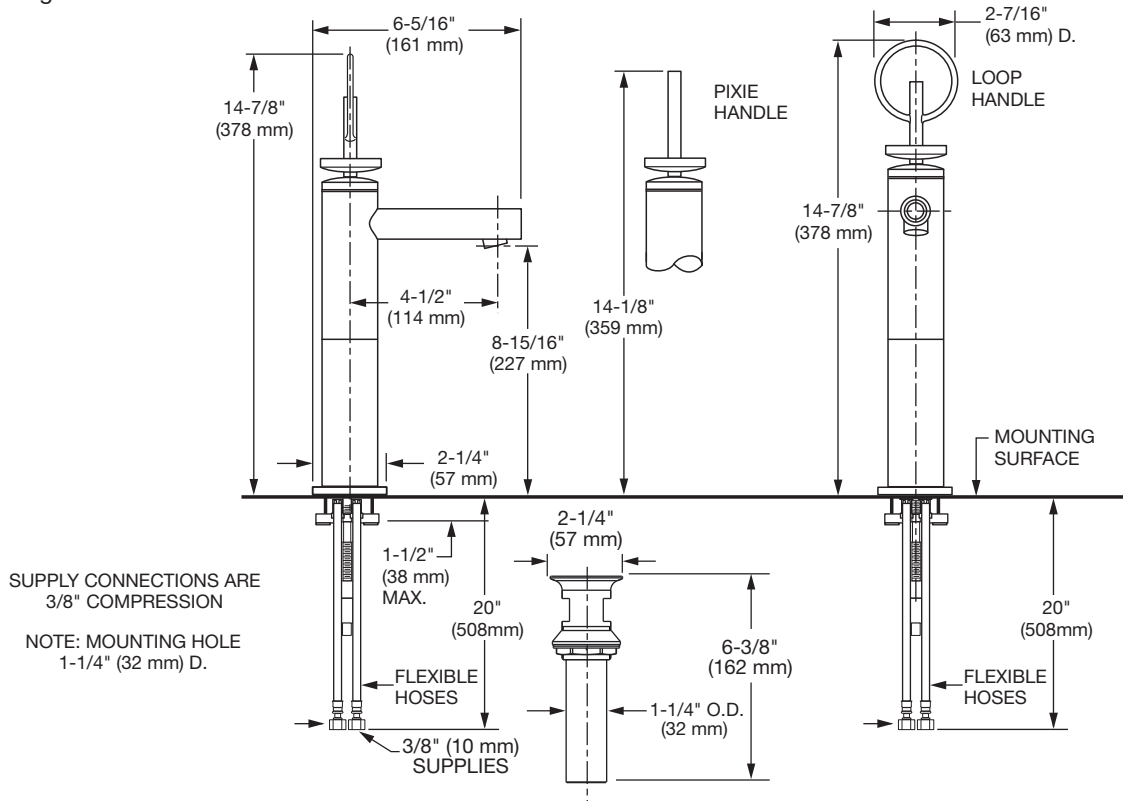
Flat Blade Screwdriver



Plumber's Putty or Caulking

ROUGHING-IN DIMENSIONS:

NOTE: Mounting holes are 1-3/8" D.



SUPPLY CONNECTIONS ARE
3/8" COMPRESSION

NOTE: MOUNTING HOLE
1-1/4" (32 mm) D.

In the United States:

DXV
One Centennial Avenue
Piscataway, New Jersey 08855
Attention: Director of Customer Care

For residents of the United States, warranty information may also be obtained by calling the following toll free number: (800) 227-2734
www.DXV.com

In Canada:

DXV
5900 Avebury Road
Mississauga, Ontario
L5R 3M3
Canada

Toll Free: 1-800-387-0369
Local: 905-306-1093
Fax: 1-800-395-1498
www.DXV.ca

In Mexico:

DXV
Via Morelos 330
Col. Santa Clara Coatitla
Ecatepec, Estado de México 55540

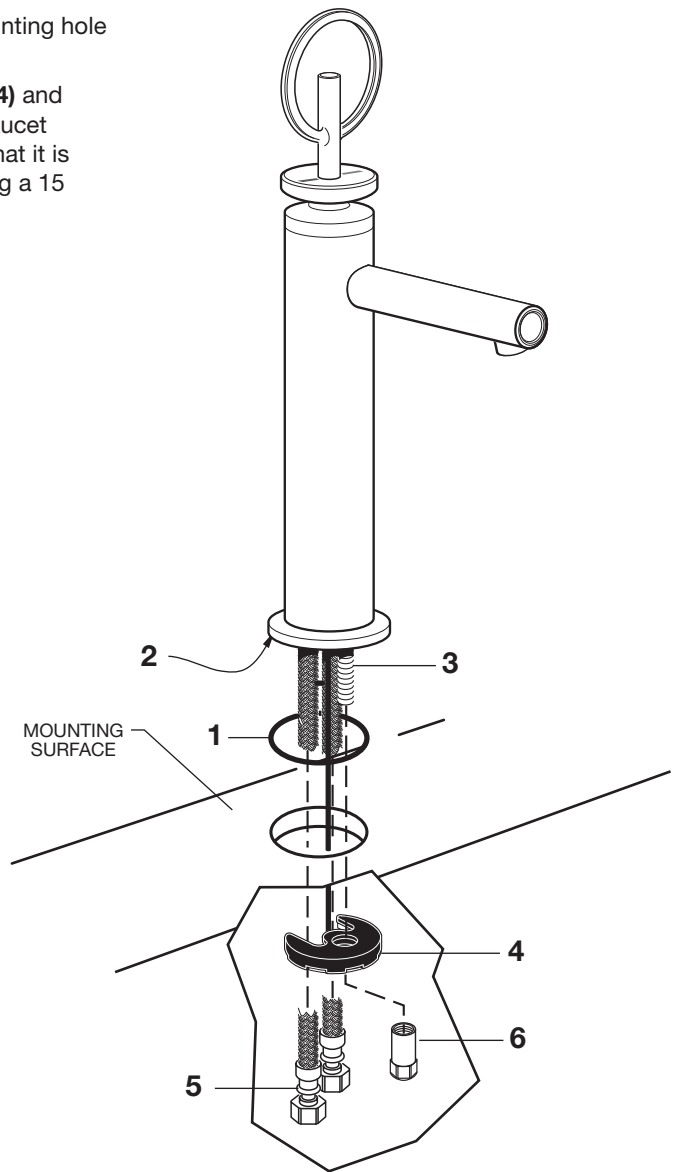
Toll Free: 01-800-8391200
www.DXV.mx

SAVE FOR FUTURE USE

1 INSTALL FAUCET

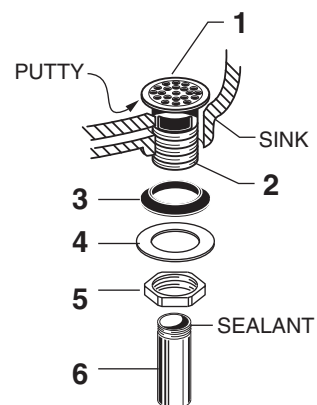
CAUTION Turn off hot and cold water supplies before beginning.

- Install SEAL (1) into groove of FAUCET BASE (2).
- Feed FAUCET SUPPLY TUBES (5) and SHANK (3) through mounting hole of lavatory or mounting surface.
- From below, install RUBBER SEAL with RETAINING WASHER (4) and LOCKNUT (6) onto faucet SHANK (3). Before final tightening, faucet should be seated flush on mounting surface. Adjust faucet so that it is centered and covers mounting hole. Tighten LOCKNUT (6) using a 15 mm or adjustable wrench. Do not over tighten.



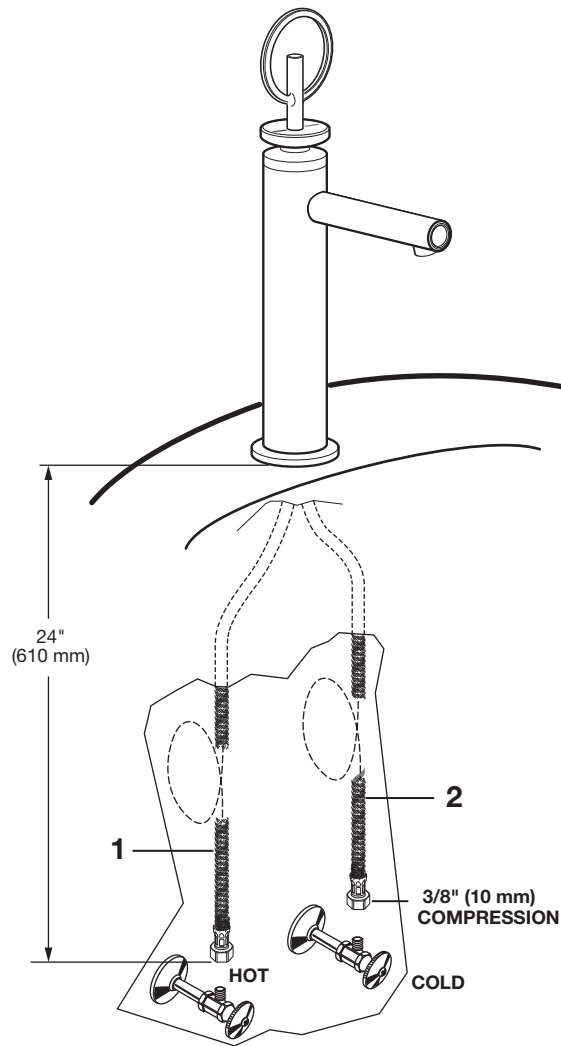
2 DRAIN ASSEMBLY

- Apply a bead of PUTTY around underside of DRAIN FLANGE (1) flange. Insert DRAIN PLUG (2) into SINK drain hole.
- Hold DRAIN PLUG (2) to prevent turning and assemble GASKET (3), WASHER (4), and LOCKNUT (5) from underneath sink.
- Apply sealant to threaded end of TAILPIECE and thread into lower end of DRAIN PLUG. Connect other end to trap.



3 MAKE WATER SUPPLY AND WASTE CONNECTIONS

- Connect FLEXIBLE SUPPLIES (1, 2) directly to wall supplies. Connection on fitting supplies are 3/8" (10 mm) compression. Connect left SUPPLY (1) to Hot (Marked with a Red Band) and right supply to COLD (2) wall supply.
 - Faucet supplies are 24" (610 mm) long from faucet base.
- Note:** If additional supply length is required, installer must purchase additional parts separately.
- Important:** If SUPPLY HOSES (1, 2) are to long, loop as illustrated to avoid kinking.
- Connect 1-1/4" O.D. (32 mm) tailpiece on POP-UP DRAIN to waste outlet.

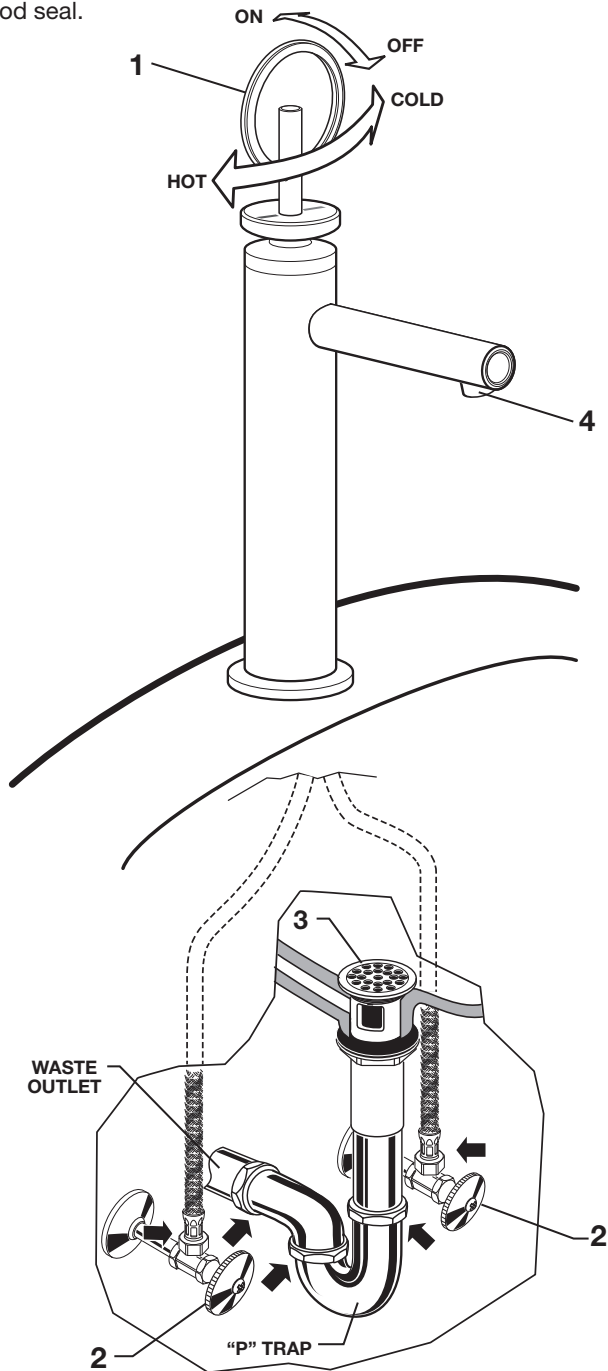


4 TEST INSTALLED FITTING

- Move HANDLE (1) into "off" position.
- Remove AERATOR (4) and clean if necessary.
- Turn on water supplies and check all connections for leaks. ➡

CHECK DRAIN CONNECTIONS

- Check that DRAIN STOPPER (3) makes a good seal.
- Check all drain connections and "P" trap for leaks. ➡ Tighten if necessary.



5 CARE INSTRUCTIONS:

DO: SIMPLY RINSE THE PRODUCT CLEAN WITH CLEAR WATER. DRY WITH A SOFT COTTON FLANNEL CLOTH.

DO NOT: DO NOT CLEAN THE PRODUCT WITH SOAPS, ACID, POLISH, ABRASIVES, HARSH CLEANERS, OR A CLOTH WITH A COARSE SURFACE.

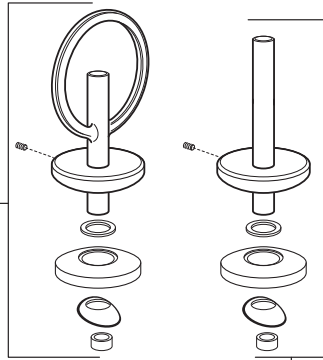
DXV

Percy® Single Lever Faucet with Grid Drain

MODEL NUMBERS

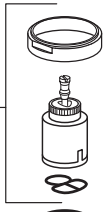
Loop Handle
D35105157
D351050154RB
Pixie Handle
D35105152
D35105104RB

M964631-YYY0A
LOOP HANDLE KIT
(D35105104, D35105154)

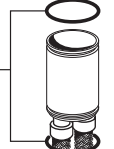


M964632-YYY0A
PIXIE HANDLE KIT
(D35105100, D35105150)

M964633-0070A
CARTRIDGE KIT



M964634-0070A
MANIFOLD SEAL KIT



Replace the "YYY" with appropriate finish code

POLISHED CHROME	100
BRUSHED NICKEL	144

M964636-0070A
AERATOR KIT



M964712-0070A
O-RING SEAL



M964638-0070A
MOUNTING KIT



M953455-YYY0D
DRAIN ASSEMBLY

