

# INSTALLATION INSTRUCTIONS

## Percy® Single Lever Faucet with Grid Drain

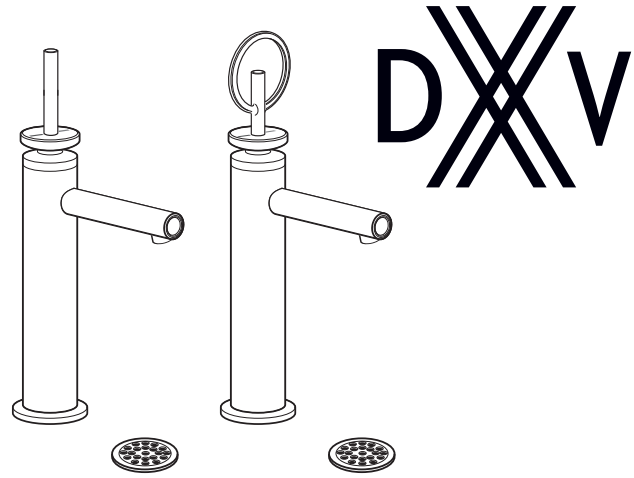
Loop Handle Vessel

Models D35105157, D35105154RB

Pixie Handle Vessel

Models D35105152, D35105104RB

Thank you for selecting DXV. To ensure that your installation proceeds smoothly, please read these instructions carefully before you begin.



# DXV

### RECOMMENDED TOOLS AND MATERIALS

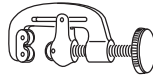
Most of the procedures require the use of common tools and materials, which are available from hardware and plumbing supply stores. It is essential that the tools and materials be on hand before work is begun.



Adjustable Wrench



Channel Locks



Tubing Cutter



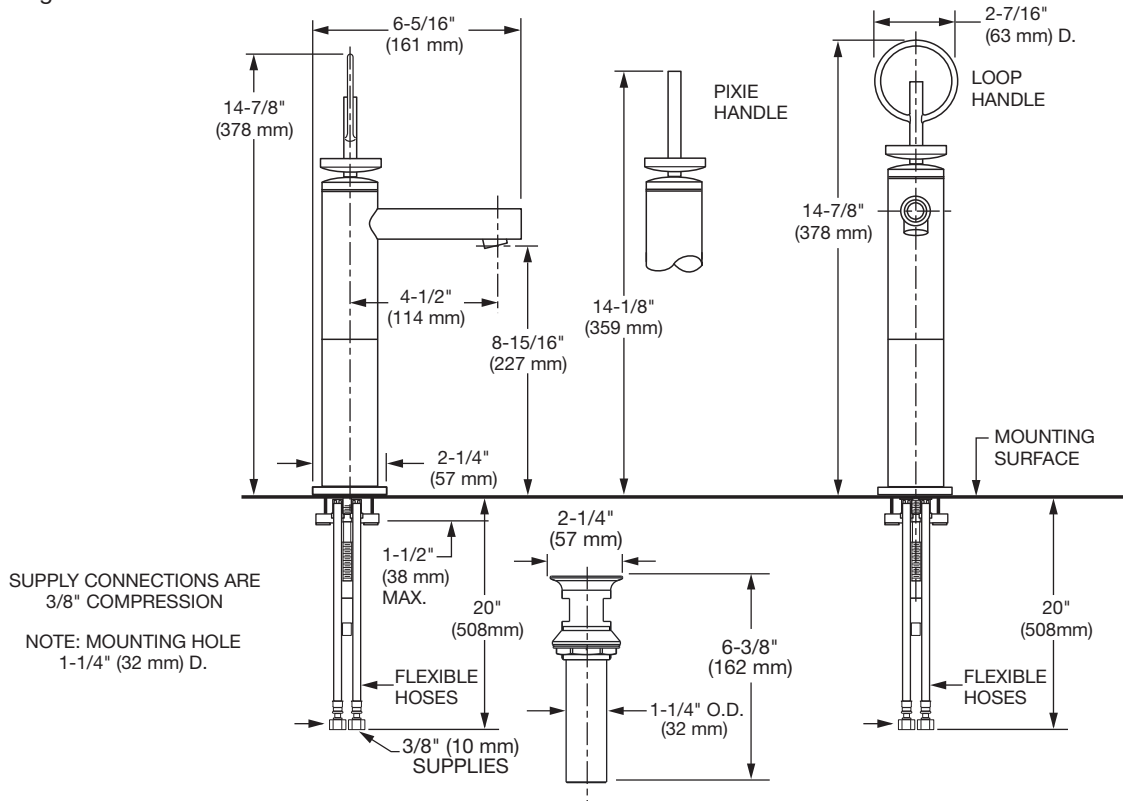
Flat Blade Screwdriver



Plumber's Putty or Caulking

### ROUGHING-IN DIMENSIONS:

NOTE: Mounting holes are 1-3/8" D.



SUPPLY CONNECTIONS ARE  
3/8" COMPRESSION

NOTE: MOUNTING HOLE  
1-1/4" (32 mm) D.

#### In the United States:

DXV  
One Centennial Avenue  
Piscataway, New Jersey 08855  
Attention: Director of Customer Care

For residents of the United States, warranty information may also be obtained by calling the following toll free number: (800) 227-2734  
www.DXV.com

#### In Canada:

DXV  
5900 Avebury Road  
Mississauga, Ontario  
L5R 3M3  
Canada

Toll Free: 1-800-387-0369  
Local: 905-306-1093  
Fax: 1-800-395-1498  
www.DXV.ca

#### In Mexico:

DXV  
Via Morelos 330  
Col. Santa Clara Coatitla  
Ecatepec, Estado de México 55540

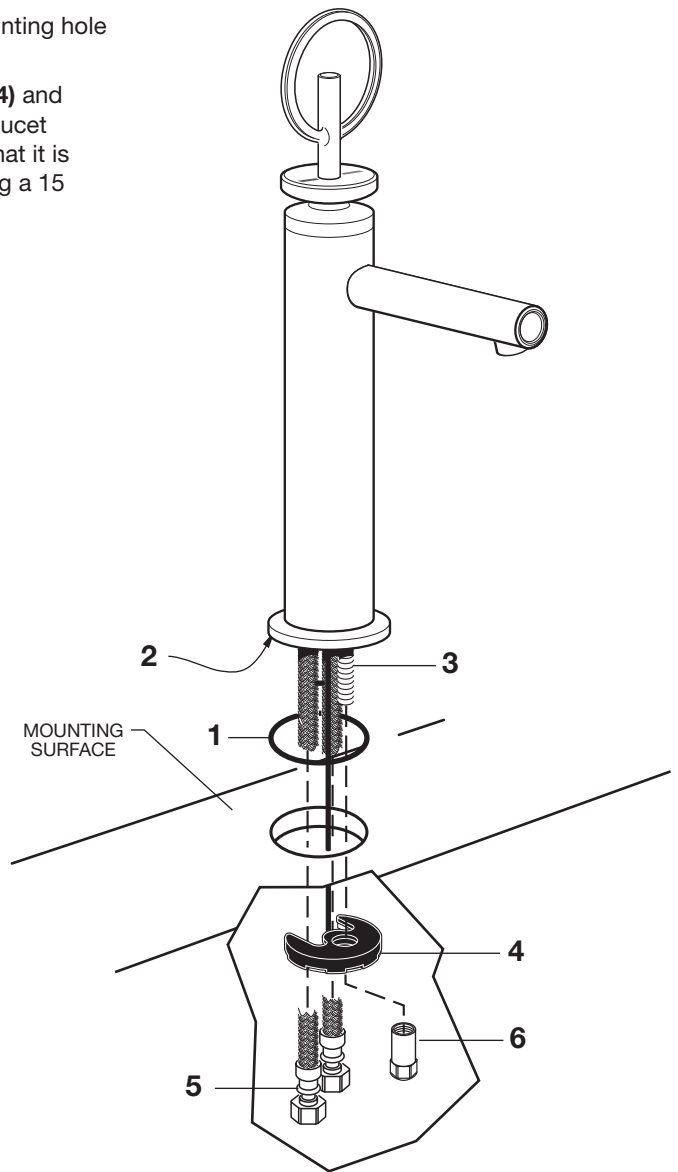
Toll Free: 01-800-8391200  
www.DXV.mx

S  
A  
V  
E  
F  
O  
R  
F  
U  
T  
U  
R  
E  
U  
S  
E

## 1 INSTALL FAUCET

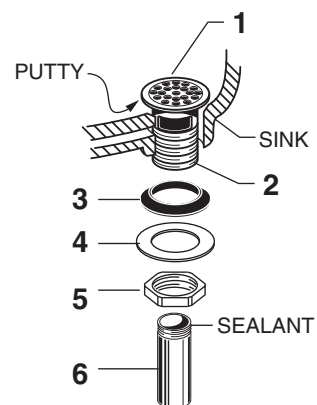
**CAUTION** Turn off hot and cold water supplies before beginning.

- Install SEAL (1) into groove of FAUCET BASE (2).
- Feed FAUCET SUPPLY TUBES (5) and SHANK (3) through mounting hole of lavatory or mounting surface.
- From below, Install RUBBER SEAL with RETAINING WASHER (4) and LOCKNUT (6) onto faucet SHANK (3). Before final tightening, faucet should be seated flush on mounting surface. Adjust faucet so that it is centered and covers mounting hole. Tighten LOCKNUT (6) using a 15 mm or adjustable wrench. Do not over tighten.



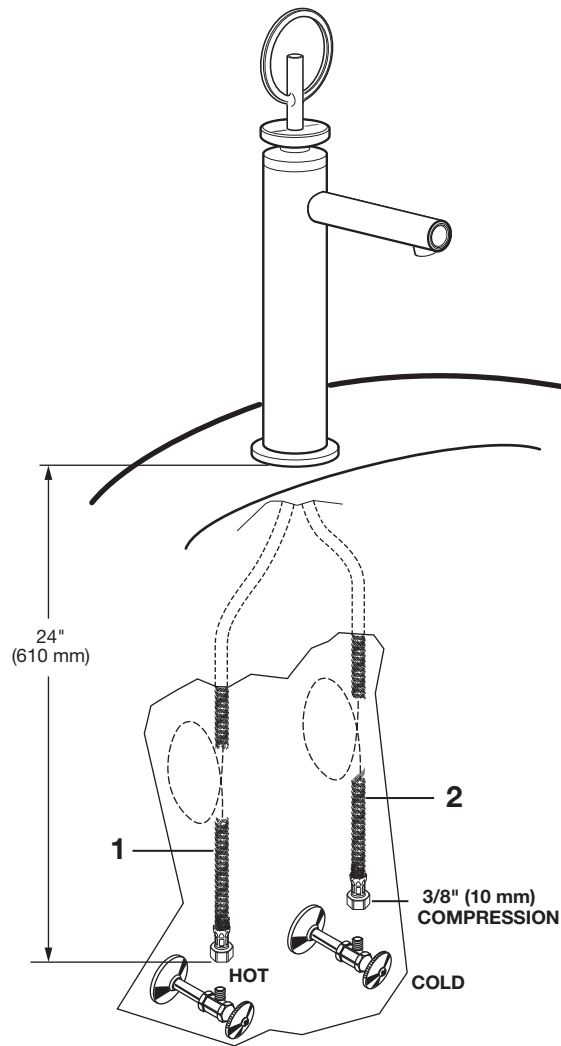
## 2 DRAIN ASSEMBLY

- Apply a bead of PUTTY around underside of DRAIN FLANGE (1) flange. Insert DRAIN PLUG (2) into SINK drain hole.
- Hold DRAIN PLUG (2) to prevent turning and assemble GASKET (3), WASHER (4), and LOCKNUT (5) from underneath sink.
- Apply sealant to threaded end of TAILPIECE and thread into lower end of DRAIN PLUG. Connect other end to trap.



### 3 MAKE WATER SUPPLY AND WASTE CONNECTIONS

- Connect FLEXIBLE SUPPLIES (1, 2) directly to wall supplies. Connection on fitting supplies are 3/8" (10 mm) compression. Connect left SUPPLY (1) to Hot (Marked with a Red Band) and right supply to COLD (2) wall supply.
  - Faucet supplies are 24" (610 mm) long from faucet base.
- Note:** If additional supply length is required, installer must purchase additional parts separately.
- Important:** If SUPPLY HOSES (1, 2) are to long, loop as illustrated to avoid kinking.
- Connect 1-1/4" O.D. (32 mm) tailpiece on POP-UP DRAIN to waste outlet.

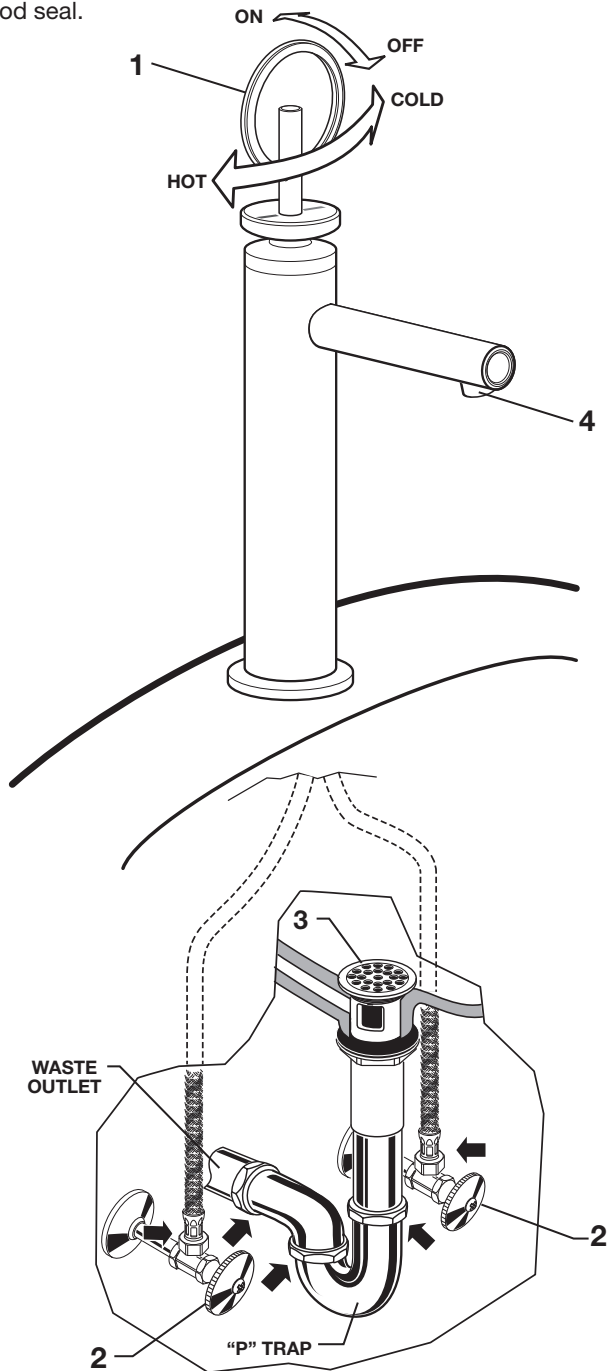


## 4 TEST INSTALLED FITTING

- Move HANDLE (1) into “off” position.
- Remove AERATOR (4) and clean if necessary.
- Turn on water supplies and check all connections for leaks. ➡

### CHECK DRAIN CONNECTIONS

- Check that DRAIN STOPPER (3) makes a good seal.
- Check all drain connections and “P” trap for leaks. ➡ Tighten if necessary.



## 5 CARE INSTRUCTIONS:

**DO:** SIMPLY RINSE THE PRODUCT CLEAN WITH CLEAR WATER. DRY WITH A SOFT COTTON FLANNEL CLOTH.

**DO NOT:** DO NOT CLEAN THE PRODUCT WITH SOAPS, ACID, POLISH, ABRASIVES, HARSH CLEANERS, OR A CLOTH WITH A COARSE SURFACE.

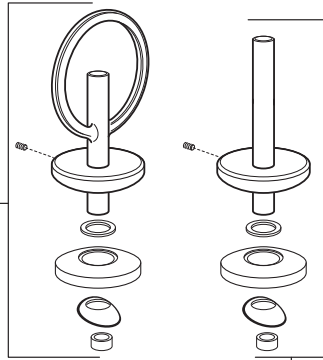
# DXV

## Percy® Single Lever Faucet with Grid Drain

MODEL NUMBERS

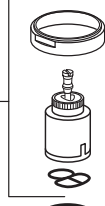
Loop Handle
<b>D35105157</b>
<b>D351050154RB</b>
Pixie Handle
<b>D35105152</b>
<b>D35105104RB</b>

**M964631-YYY0A**  
LOOP HANDLE KIT  
(D35105104, D35105154)

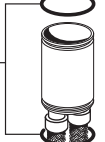


**M964632-YYY0A**  
PIXIE HANDLE KIT  
(D35105100, D35105150)

**M964633-0070A**  
CARTRIDGE KIT



**M964634-0070A**  
MANIFOLD SEAL KIT



Replace the "YYY" with  
appropriate finish code

POLISHED CHROME	100
BRUSHED NICKEL	144

**M964636-0070A**  
AERATOR KIT



**M964712-0070A**  
O-RING SEAL



**M964638-0070A**  
MOUNTING KIT



**M953455-YYY0D**  
DRAIN ASSEMBLY

