

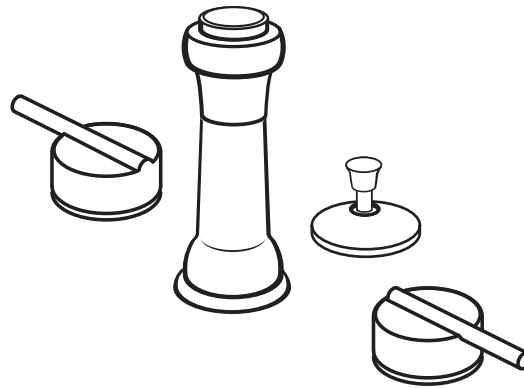
INSTALLATION INSTRUCTIONS



Rem® 3-Hole Bidet Set with Vacuum Breaker

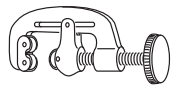
Model D35100330

Thank you for selecting DXV. To ensure that your installation proceeds smoothly, please read these instructions carefully before you begin.



RECOMMENDED TOOLS AND MATERIALS

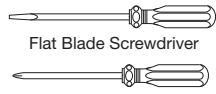
Most of the procedures require the use of common tools and materials, which are available from hardware and plumbing supply stores. It is essential that the tools and materials be on hand before work is begun.



Tubing Cutter

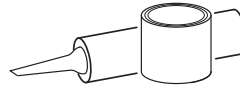


Channel Locks

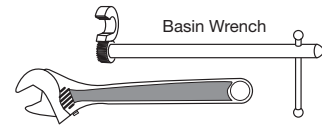


Flat Blade Screwdriver

Phillips Screwdriver



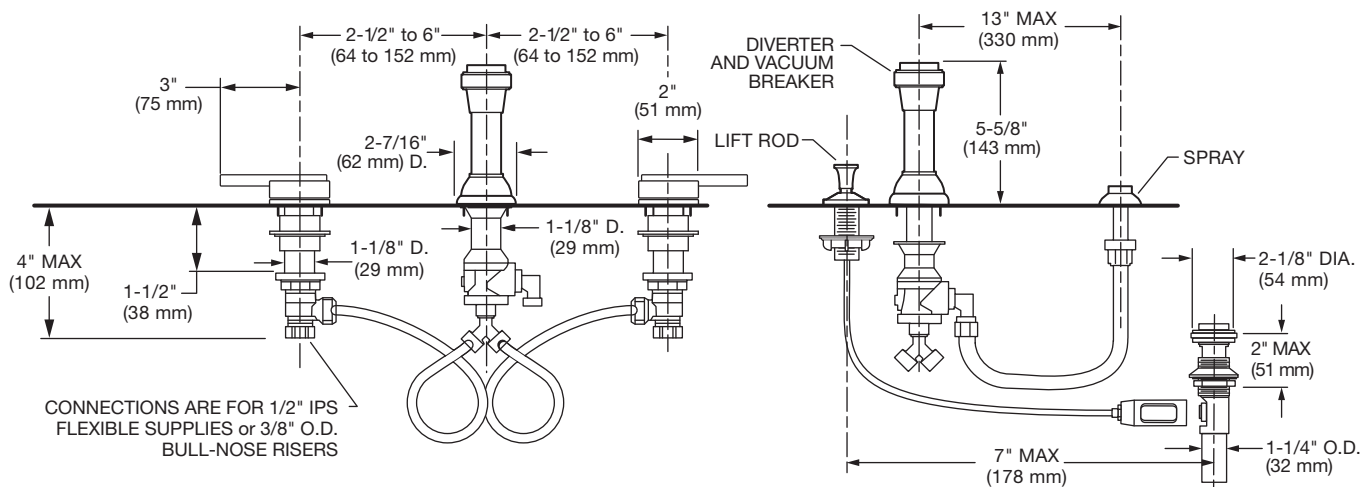
Plumbers' Putty or Caulking



Adjustable Wrench

ROUGHING-IN DIMENSIONS:

• For reference



In the United States:

DXV
One Centennial Avenue
Piscataway, New Jersey 08855
Attention: Director of Customer Care

For residents of the United States, warranty information may also be obtained by calling the following toll free number: (800) 227-2734
www.DXV.com

In Canada:

DXV
5900 Avebury Road
Mississauga, Ontario
L5R 3M3
Canada

Toll Free: 1-800-387-0369
Local: 905-306-1093
Fax: 1-800-395-1498
www.DXV.ca

In Mexico:

DXV
Via Morelos 330
Col. Santa Clara Coatitla
Ecatepec, Estado de México 55540

Toll Free: 01-800-8391200
www.DXV.mx

SAVE FOR FUTURE USE

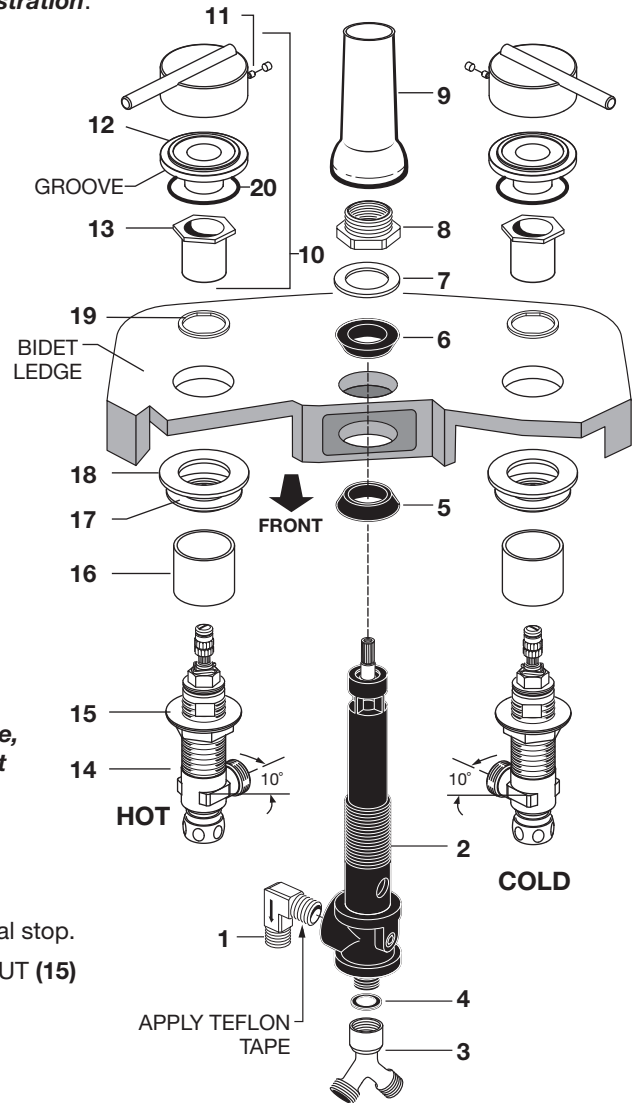
1 INSTALL TRANSFER VALVE

CAUTION Turn off hot and cold water supplies before beginning.

- Apply sealant or Teflon tape to threads of SPRAY ELL (1) and install into TRANSFER VALVE (2). **Note: Arrow on SPRAY ELL (1) points down, see illustration.**
- Install "Y" HOSE ADAPTER (3) with SEAL (4) to bottom nipple of TRANSFER VALVE (2) and tighten to make a water tight seal.
- Install LOWER CONE SEAL (5) onto TRANSFER VALVE (2) and insert TRANSFER VALVE (2) from under side of Bidet into the center forward hole.
- Install UPPER CONE SEAL (6), FRICTION WASHER (7) and MOUNTING NUT (8) onto TRANSFER VALVE (2).
- Tighten MOUNTING NUT (8) to secure the TRANSFER VALVE (2) and make a water tight seal.
- Thread TRANSFER VALVE ESCUTCHEON (9) onto MOUNTING NUT (8). until snug against bidet ledge.

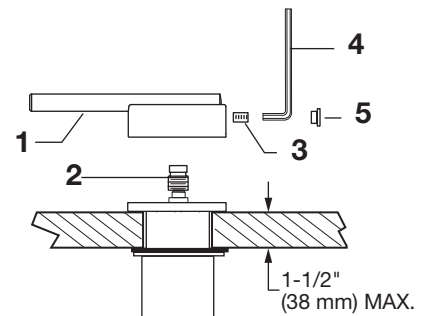
INSTALL CONTROL VALVES

- Unpack valve assembly and remove HANDLE (10) by unthreading SET SCREW (11). Unthread ROSETTE (12) and FLANGE (13) removing them from VALVE BODY (14).
 - Thread LOCKNUT (15) to bottom of VALVE BODY (14). Make sure SPACER (16), BRASS WASHER (17) and RUBBER WASHER (18) are installed.
 - Insert VALVE BODY (14) through mounting hole from underside of bidet ledge.
- Note: VALVE BODY marked Hot is installed in the left Mtg. hole, VALVE BODY marked Cold in the right when facing front of fitting.**
- Install STOP RING (19) onto VALVE BODY (14) if not in place. Install O-RING (20) into groove in FLANGE (13).
 - Thread FLANGE (13) flush against STOP RING (19). Thread ROSETTE (12) onto VALVE BODY (14) until tight against it's internal stop.
 - Align VALVE BODY (14) as shown and from below tighten LOCKNUT (15) to secure VALVE BODY (14).



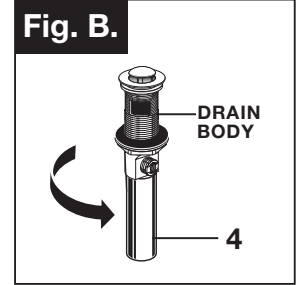
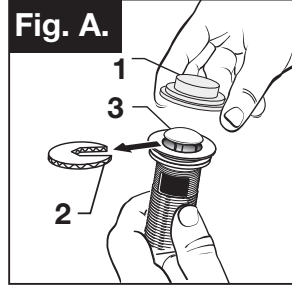
2 INSTALL HANDLES

- Turn VALVES to off position. Align HANDLES (1) as shown or as desired and install onto HANDLE ADAPTER (2). Tighten SET SCREW (3) with HEX WRENCH (4) supplied. Push PLUG BUTTON (5) into place.



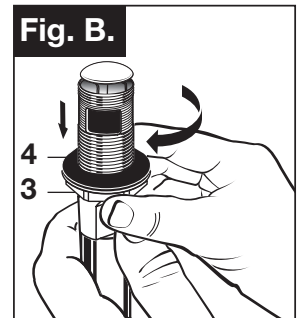
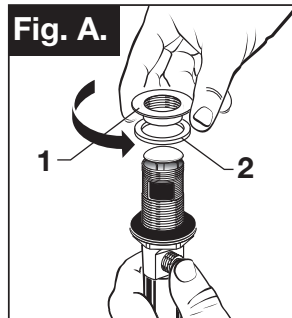
3 POP-UP DRAIN

- Remove CLEAR PLASTIC COVER (1).
- Remove CARDBOARD SPACER (2) from under DRAIN POP-UP (3).
- Tighten TAILPIECE (4) on DRAIN BODY before installing DRAIN BODY. Fig. B.



4 REMOVE FLANGE

- Thread FLANGE (1) counter-clockwise and remove FLANGE (1) and FOAM GASKET (2) from drain body. Fig. A.
- Thread LOCKNUT (3) clock-wise to bottom of drain body. Push GASKET (4) down against LOCKNUT (3). Fig. B.

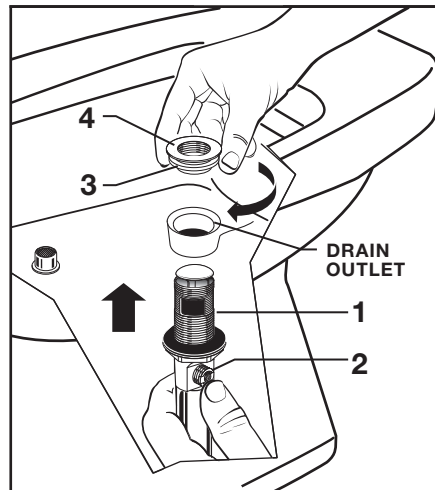


5 INSTALL DRAIN FROM BELOW FIXTURE

- From under side of BIDET install DRAIN BODY (1) up through drain outlet.

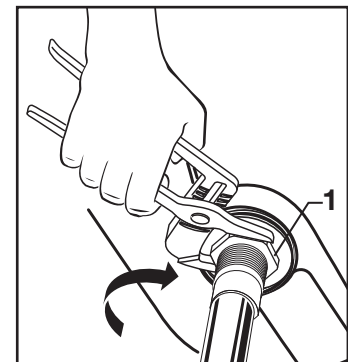
Note: No plumber's putty or caulk is required. The CABLE ATTACHMENT POINT (2) must face towards the rear of the BIDET.

- Install FOAM GASKET (3) and FLANGE (4) onto drain body from above BIDET and tighten FLANGE (4) firmly.



6 TIGHTEN LOCKNUT

- Tighten LOCKNUT (1) firmly with Adjustable Wrench or Channel Locks.

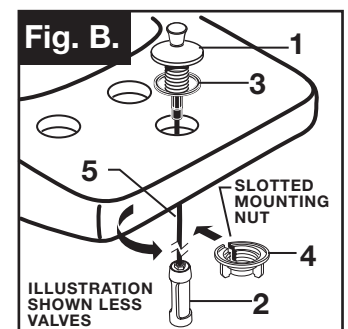
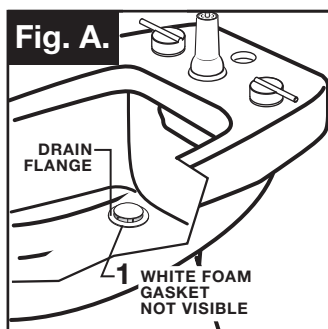


7 FLANGE GASKET

- Check DRAIN FLANGE in BIDET to ensure that WHITE FOAM GASKET (1) is fully compressed and not visible. Fig. A.

POP-UP ASSEMBLY

- Insert LIFT ROD GUIDE (1) and CABLE CONNECTOR (2) through rear hole, making sure SEAL WASHER (3) is properly seated. Fig. B.
- From below slip slot in MOUNTING NUT (4) over CABLE (5). Thread NUT (4) onto lift rod guide shank to secure ROD GUIDE (1) to bidet. Hand tighten only. Fig. B.

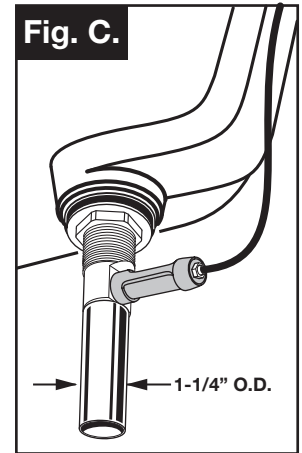
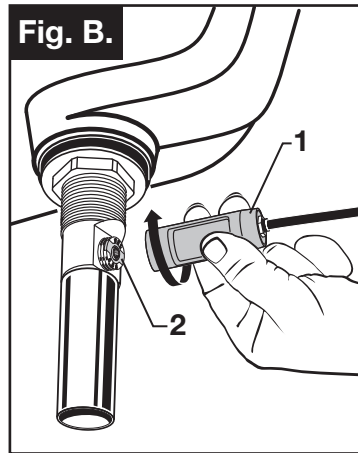
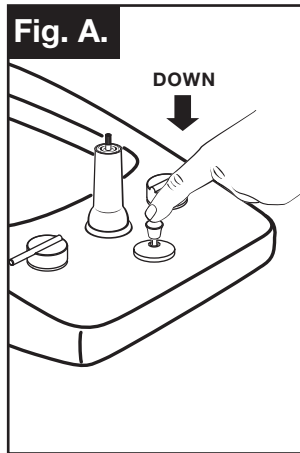


8 ATTACH CABLE CONNECTOR

- POP-UP KNOB (1) must be fully down. **Fig. A.**
- Thread CABLE CONNECTOR (1) clockwise onto DRAIN BODY CONNECTION (2) and hand tighten. **Fig. B.**

Your new POP-UP DRAIN installation is now complete. **Fig. C.**

Note: Tailpiece on pop-up drain is 1-1/4" O.D. **Fig. C.**



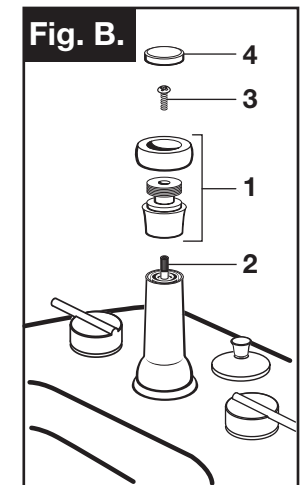
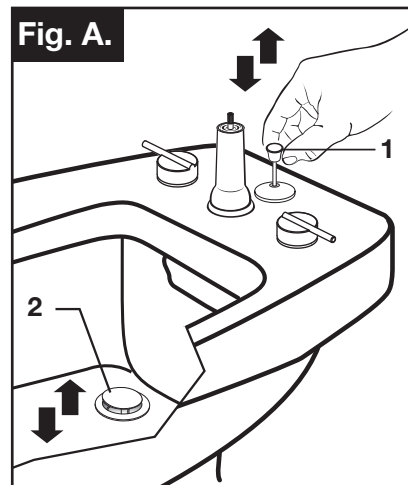
9 CHECK OPERATION OF POP-UP

- Operate LIFT KNOB (1) to verify that STOPPER (2) opens and closes. **Fig. A.**

Note: If STOPPER (2) does not open and close properly then refer to the "troubleshooting section" of these instructions.

INSTALL DIVERTER HANDLE

- DIVERTER HANDLE (1) onto VALVE STEM (2) of DIVERTER. **Fig. B.**
- Secure with DIVERTER HANDLE SCREW (3).
- Thread HANDLE CAP (4) onto DIVERTER HANDLE (1).



10 INSTALL SUPPLY HOSES

Connect small end of SUPPLY HOSES (1) TO "Y" ADAPTER (2) and larger end to each VALVE OUTLET. **Important:** Loop SUPPLY HOSES (1) as illustrated so they do not kink.

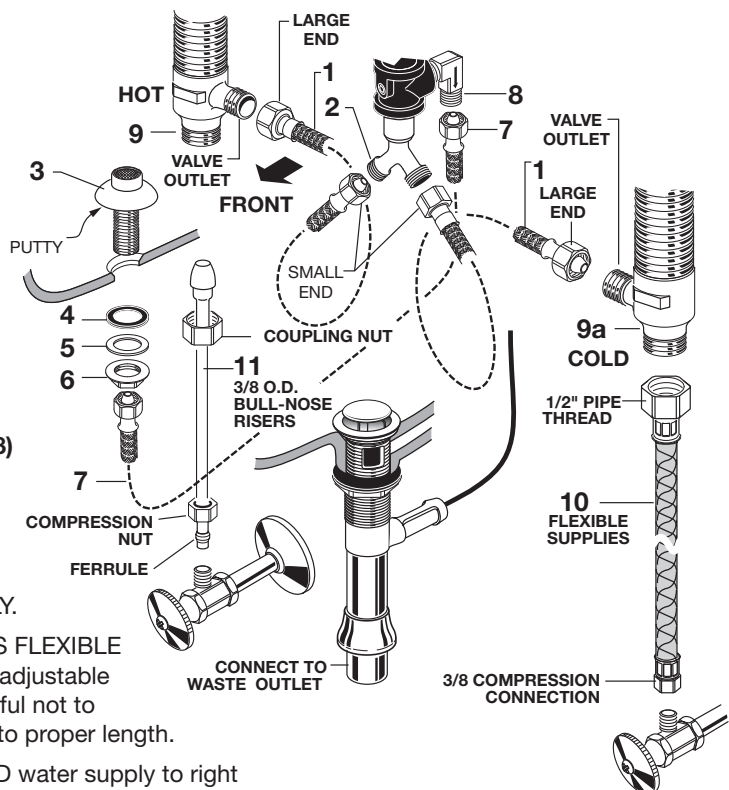
INSTALL SPRAY BODY

- Apply putty to the underside of SPRAY BODY FLANGE (3) and install SPRAY BODY (3) into spray hole of Bidet.
- From underside of Bidet install RUBBER WASHER (4), FIBER WASHER (5) and LOCKNUT (6) onto shank of SPRAY BODY (3). Tighten LOCKNUT (6) to make water tight seal.
- Connect one end of SPRAY HOSE (7) to HOSE ADAPTER (8) and the other end to shank of SPRAY BODY (3). Tighten hose connections to make a water tight seal.

WATER SUPPLY CONNECTION

NOTE: FLEXIBLE SUPPLIES OR BULL-NOSE RISERS NOT INCLUDED AND MUST BE PURCHASED SEPARATELY.

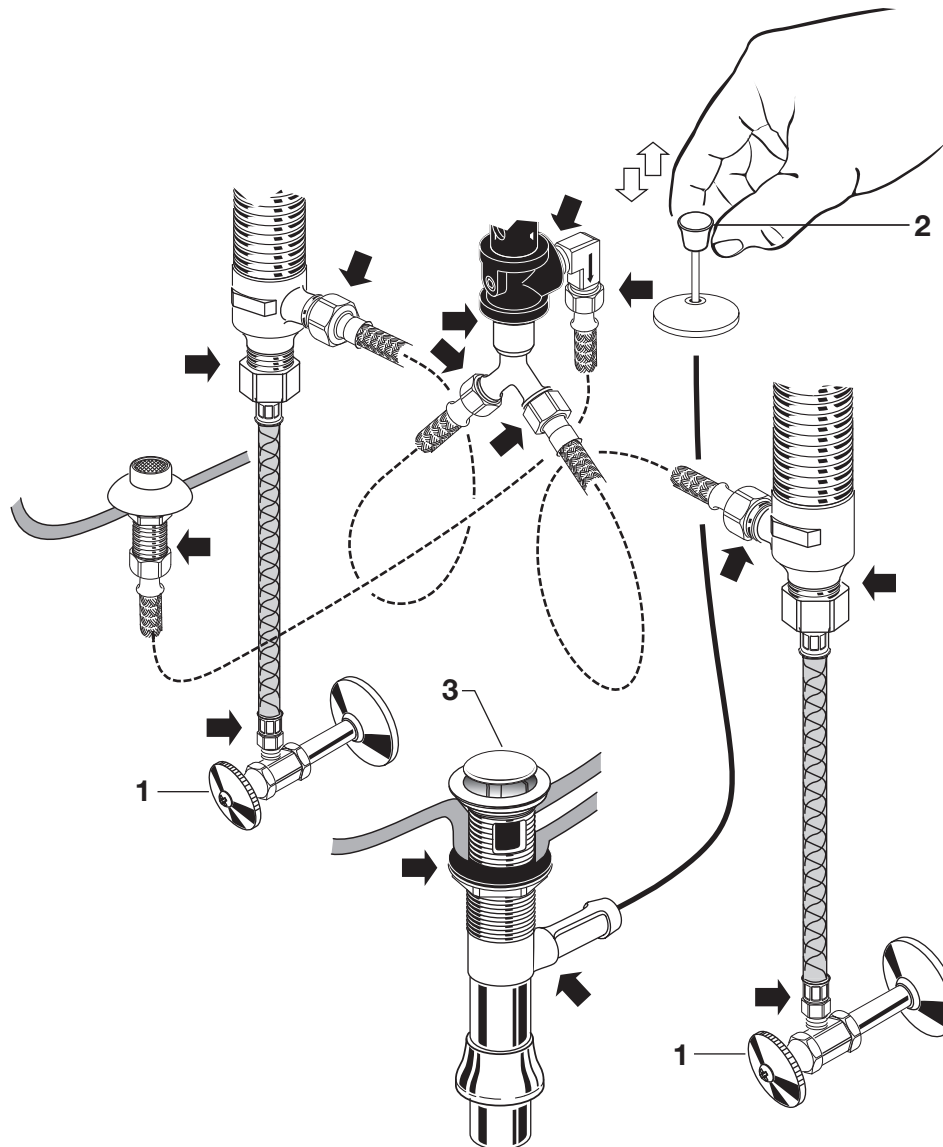
- Connect water supply to VALVE BODIES (9,9a) with 1/2" IPS FLEXIBLE SUPPLIES (10) or 3/8" O.D. BULL-NOSE RISERS (11). Use adjustable wrench to tighten connections. Do not over tighten. Be careful not to kink copper supply when bending. Use tubing cutter to cut to proper length.
- Connect HOT water supply to inlet of left SHANK and COLD water supply to right SHANK using sealant, appropriate connectors, and COUPLING NUTS.
- Connect 1-1/4" O.D. tailpiece on POP-UP DRAIN to waste outlet.



11 TEST INSTALLED FITTING AND CONNECTIONS FOR LEAKS

- With FAUCET HANDLES in OFF position, turn on WATER SUPPLIES (1) and check all connections for leaks. ➡
- Operate both handles to flush water lines thoroughly. Turn diverter to rim wash and bidet spray.
- Operate LIFT ROD (2) and fill bidet with water. DRAIN STOPPER (3) should make a good seal and retain water in bidet. If DRAIN STOPPER (3) does not make a water tight seal see “Troublingshooting Guid” section in these instructions
- Release DRAIN STOPPER (3) and check all drain connections and “P” trap for leaks. ➡ Tighten if necessary.

NOTE: Diverter valve is not a positive shut-off to rim wash.



Speed Connect® Drain Troubleshooting Guide

If sink does not hold water even though Stopper is in the “down” position:

- Follow CABLE ADJUSTMENT PROCEDURE.

If Stopper does not raise up fully or sink drains too slowly:

- Follow CABLE ADJUSTMENT PROCEDURE.

If you need to remove the Stopper:

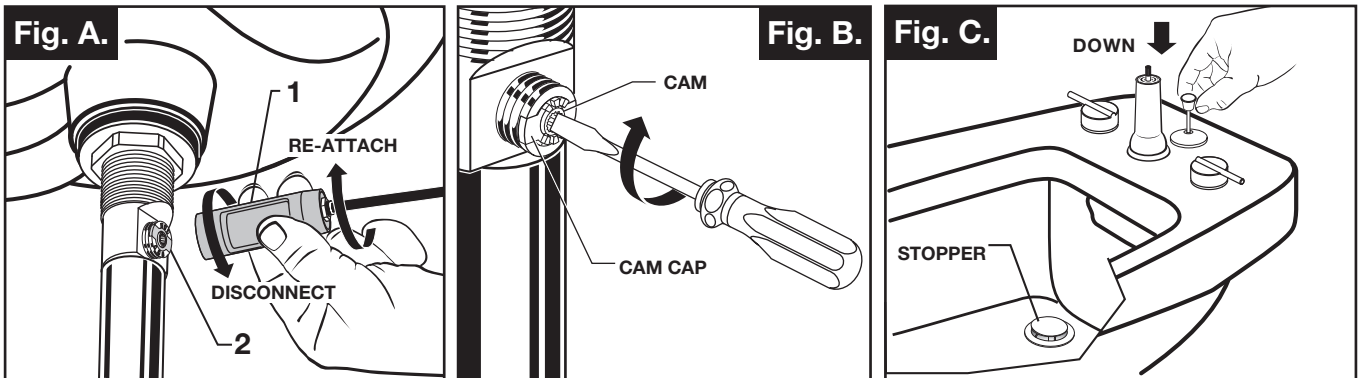
- Follow STOPPER REMOVAL PROCEDURE.

If you would like the ability to remove your Stopper simply by lifting it out of the drain:

- Follow STOPPER INSTALLATION PROCEDURE for “Unlocked” mode.

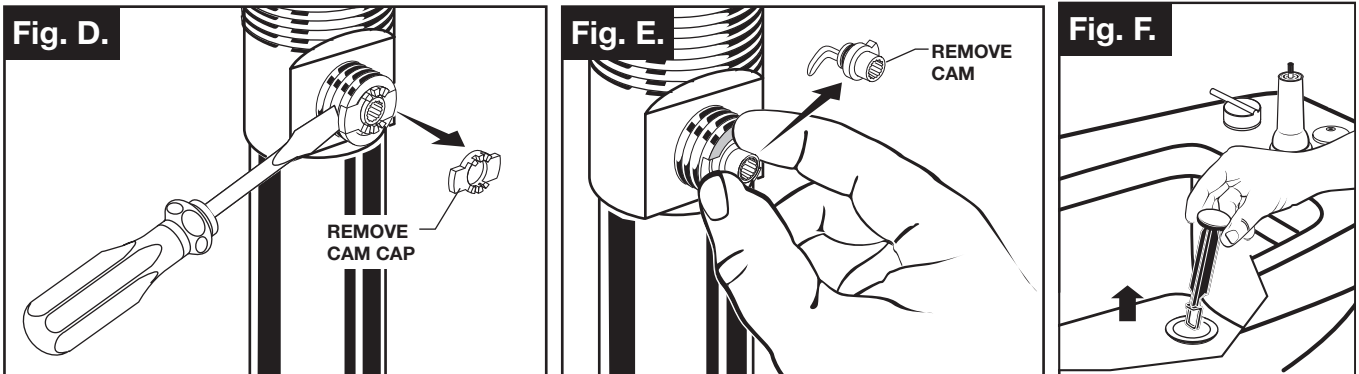
CABLE ADJUSTMENT PROCEDURE

- Disconnect the Cable from the Drain by threading the Cable Connector (1) counter-clockwise. **Fig. A.**
- Look at the area on the Drain Body where the Cable was attached and locate the component labeled as “Cam” in the illustration. **Fig. B.**
- Use a small screwdriver to rotate the Cam in the clockwise direction as far as it will go. At this point the Stopper should be in the UP position. **Fig. B, C.**
- Push DOWN on the Lift-Knob to make sure it is fully down. **Fig. C.**
- Re-attach the Cable to the Drain Body Connection (2) by threading the Cable Connector (1) clockwise onto the Drain Body Connection (2) and hand-tighten. **Fig. A.**



STOPPER REMOVAL PROCEDURE

- Disconnect the Cable from the Drain by threading the Cable Connector (1) counter-clockwise. **Fig. A.**
- Look at the area on the Drain Body where the Cable was attached and locate the component labeled as “Cam” and “Cam Cap” in the illustration. **Fig. B.**
- Use fingers or small screwdriver under either side of the Cam Cap to pry it out from the Drain. **Fig. D.**
- Remove the Cam by pulling it straight out while wiggling gently to loosen the Rubber Seal. **Fig. E.**
- The Stopper can now be removed by lifting it out of the Drain. **Fig. F.**

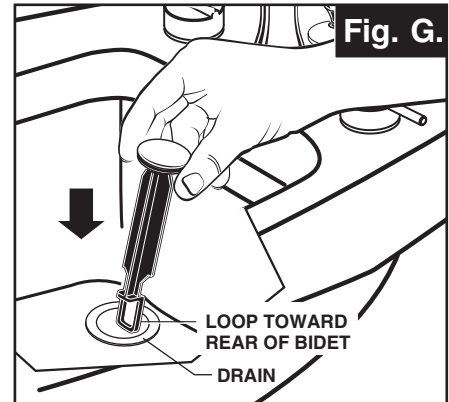


STOPPER INSTALLATION PROCEDURE

The Stopper can be installed two ways, “Locked” Mode (Stopper cannot be removed) or “Unlock” Mode (Stopper is removable).

LOCKED MODE:

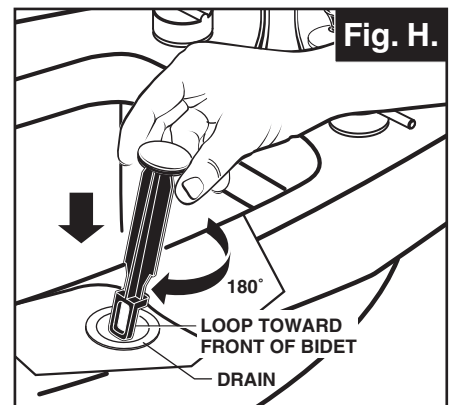
- Look at the Plastic Loop at the bottom of the Stopper and notice that the Loop is on one side of the Stopper. **Fig. G.**
- To install the stopper in “Locked” mode, insert the Stopper into the Drain so that the Plastic Loop is facing toward the **rear** of the Sink. Rotate Stopper slightly if necessary so that the Stopper slides all the way down. **Fig. G.**
- Re-install the Cam into the Drain, rotating the Cam if necessary to make sure it is fully inserted. **Fig. J.**
- Re-install the Cam Cap, making sure the guide teeth are facing outward. If the Cam Cap does not “snap” into place, then rotate the Cam to make sure it is fully inserted. **Fig. K.**
- Re-attach Cable. See “CABLE ADJUSTMENT PROCEDURE” in Troubling Shooting Guide to complete installation. Stopper will be in “Locked” mode and not be removable.



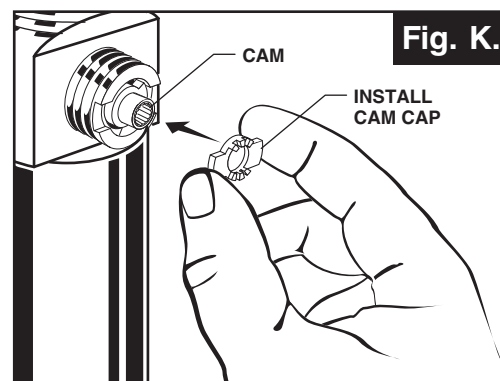
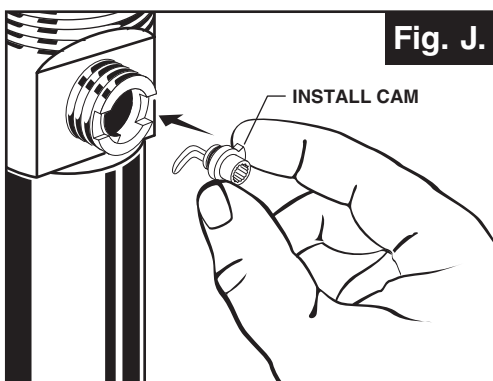
**Locked Mode
(Vandal Proof)**

UNLOCKED MODE:

- Look at the Plastic Loop at the bottom of the Stopper and notice that the Loop is on one side of the Stopper. **Fig. H.**
- To install the stopper in “Unlocked” mode, insert the Stopper into the Drain so that the Plastic Loop is facing toward the **front** of the Sink. Rotate Stopper slightly if necessary so that the Stopper slides all the way down. **Fig. H.**
- Re-install the Cam into the Drain, rotating the Cam if necessary to make sure it is fully inserted. **Fig. J.**
- Re-install the Cam Cap, making sure the guide teeth are facing outward. If the Cam Cap does not “snap” into place, then rotate the Cam to make sure it is fully inserted. **Fig. K.**
- Re-attach Cable. See “CABLE ADJUSTMENT PROCEDURE” in “Troublingshooting Guide” to complete installation. Stopper will be in “Unlocked” mode and removable.



Unlocked Mode



DXV

Rem® 3-Hole Bidet Set with Vacuum Breaker

MODEL NUMBER

D35100330

Replace the "YYY" with
appropriate finish code

POLISHED CHROME	100
BRUSHED NICKEL	144

