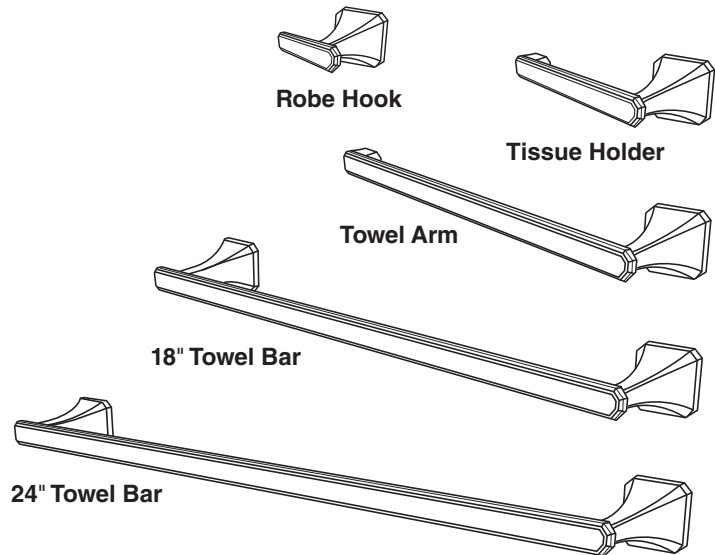


# INSTALLATION INSTRUCTIONS



## DXV Belshire™ Wall Mounted Accessories

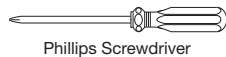
- Robe Hook – Model D35170210
- Towel Arm – Model D35170190
- Towel Bar 18" – Model D35170180
- Towel Bar 24" – Model D35170240
- Tissue Holder – Model D35170235



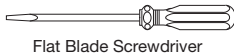
Thank you for selecting DXV. To ensure that your installation proceeds smoothly, please read these instructions carefully before you begin.

### RECOMMENDED TOOLS AND MATERIALS

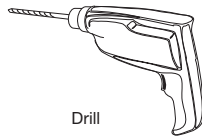
Most of the procedures require the use of common tools and materials, which are available from hardware and plumbing, supply stores. It is essential that the tools and materials be on hand before work is begun.



Phillips Screwdriver



Flat Blade Screwdriver



Drill



Tape Measure

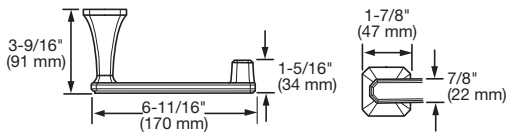


Level

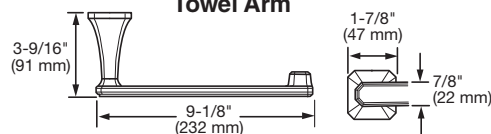
### ROUGHING-IN DIMENSIONS:

- For reference

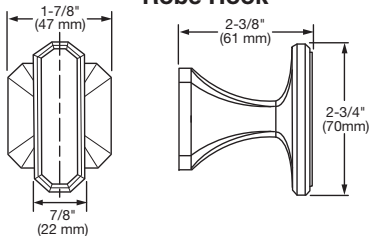
#### Tissue Holder



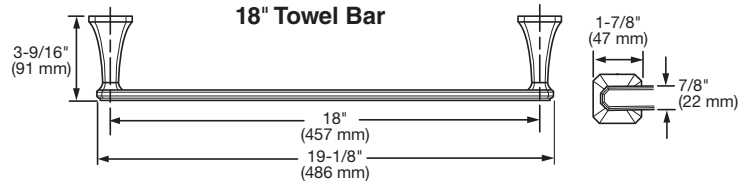
#### Towel Arm



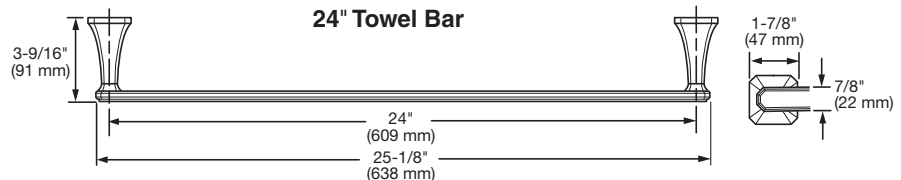
#### Robe Hook



#### 18" Towel Bar



#### 24" Towel Bar



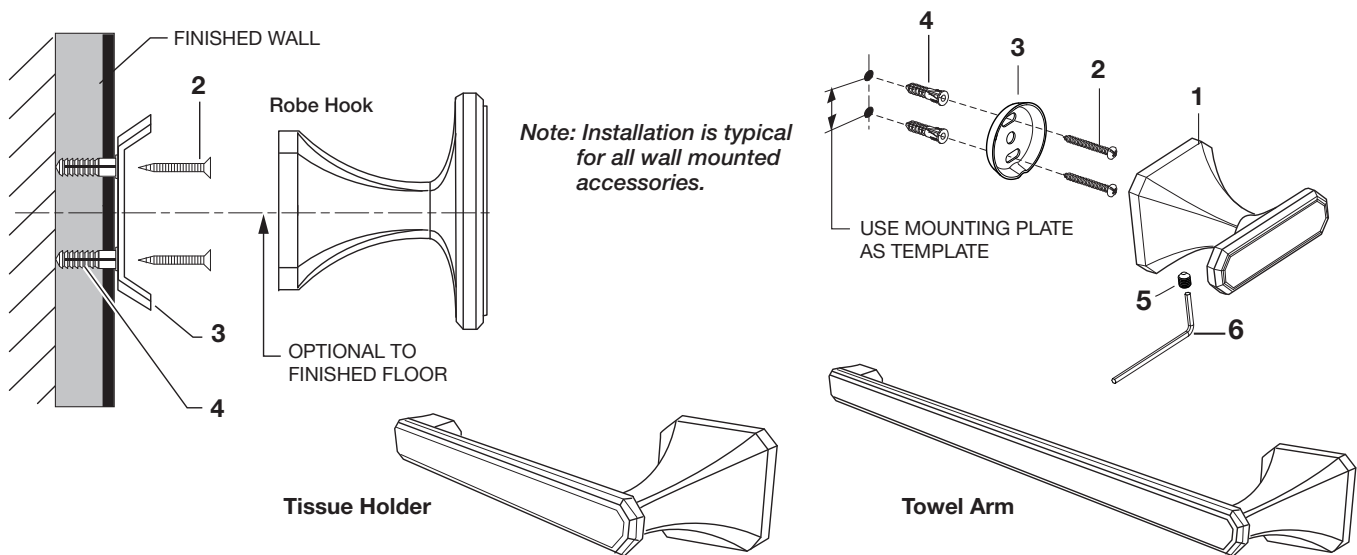
SAVE FOR FUTURE USE

## 1 INSTALL WALL BRACKET

- The WALL MOUNTED ACCESSORIES (1) works best if secured to a wall stud or cross brace within the wall, using the SCREWS (2) supplied.
- If the WALL MOUNTED ACCESSORIES (1) are to be installed on a tile or plaster wall the ANCHORS (4) and SCREWS (2) should be used.
- Determine desired height and location (optional) and mark a center line. **IMPORTANT: The \*center line for the MOUNTING PLATE (3) must be level or the wall accessory will not mount level.** Using the MOUNTING PLATE (3) as a template mark the three spots for the ANCHORS (4). If MOUNTING PLATE (3) is secured to a stud or cross brace drill small pilot holes for SCREWS (2).
- **For installations on drywall or tiled walls:** Use ANCHORS (4) and SCREWS (2) for securing MOUNTING PLATE (3) to finished wall. Drill two 1/4" dia. holes a minimum of 1-3/4" deep. Insert the two ANCHORS (4) flush with face of the finished wall.
- Secure MOUNTING PLATE (3) to wall with SCREWS (2).

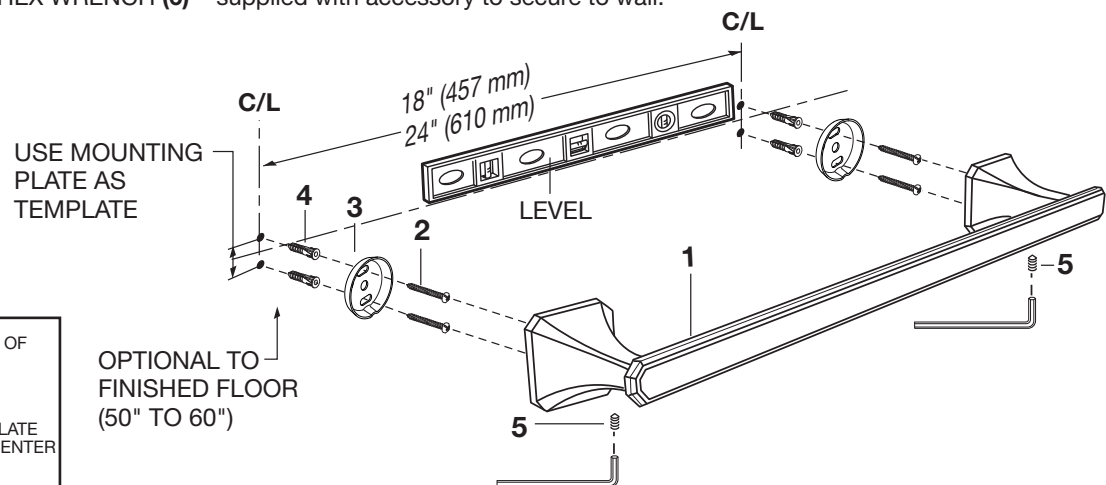
## 2 INSTALL ACCESSORY

- Install WALL MOUNTED ACCESSORY (1) onto installed MOUNTING PLATE (3). Push WALL MOUNTED ACCESSORY (1) flush against finished wall and tighten SET SCREW (5) with HEX WRENCH (6) supplied with accessory.



## 3 INSTALL TOWEL BAR

- See detail for the center to center dimension of TOWEL BARS (1). For installation of the MOUNTING PLATE see step 1.
- Note: The center line of MOUNTING PLATES (3) must be level.
- Install TOWEL BAR (1) onto installed MOUNTING PLATES (3). Push TOWEL BAR (1) flush against finished wall and tighten SET SCREWS (5) with HEX WRENCH (6) supplied with accessory to secure to wall.



\*FROM CENTER TO CENTER OF WALL BRACKETS  
 \*NOTE: MEASUREMENT IS APPROXIMATE ONLY, PLEASE USE BAR AS TEMPLATE FOR ACTUAL CENTER TO CENTER MEASUREMENTS.

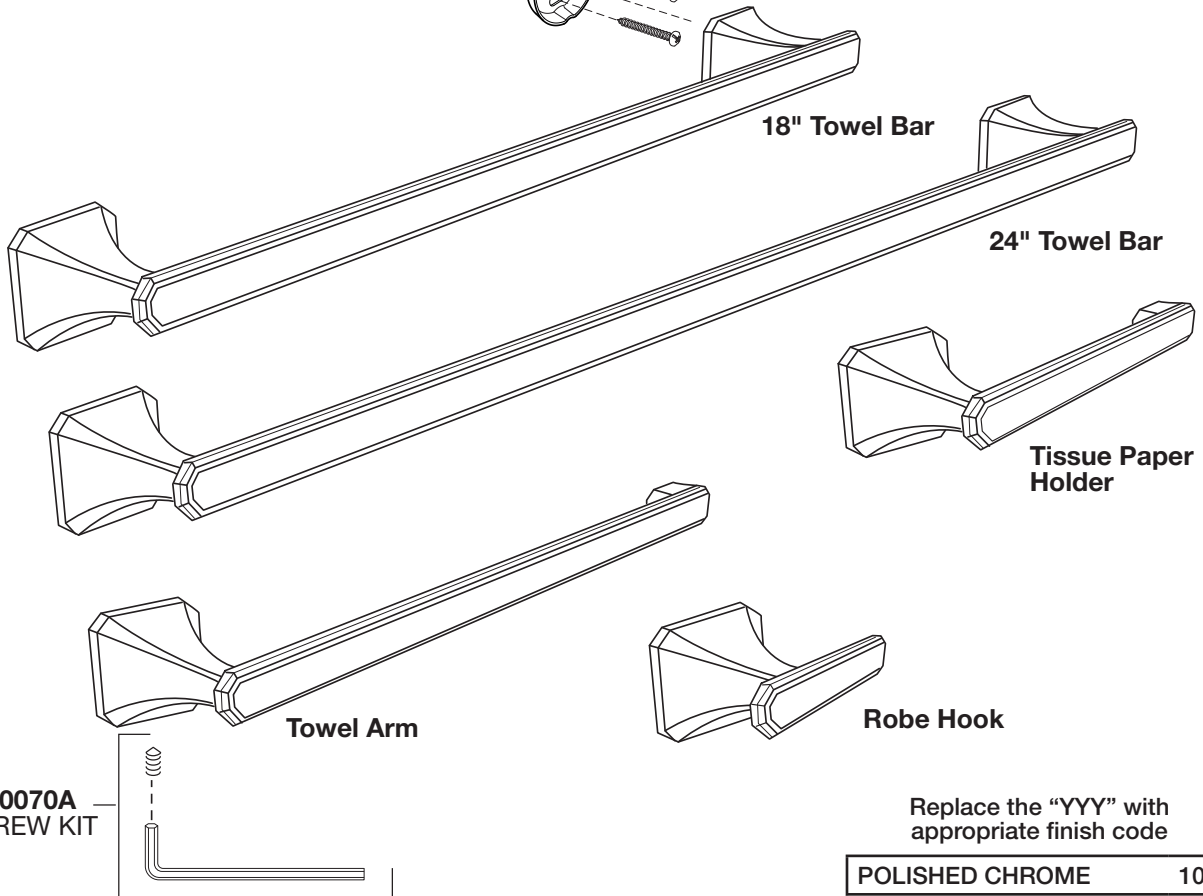
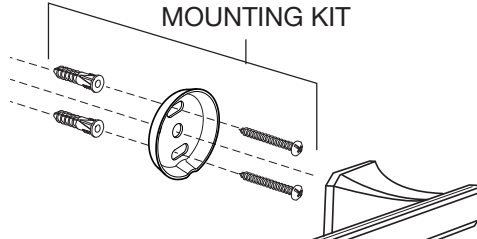


# DXV Belshire™ Wall-Mount Accessories

MODEL NUMBERS

- Robe Hook – D35170210
- Towel Arm – D35170190
- Towel Bar 18" – D35170180
- Towel Bar 24" – D35170240
- Tissue Holder – D35170235

M964248-0070A  
MOUNTING KIT



023820-0070A  
SET SCREW KIT

Replace the "YYY" with  
appropriate finish code

POLISHED CHROME	100
BRUSHED NICKEL	144
PLATINUM NICKEL	150
SATIN BRASS	427

**In the United States:**

DXV  
One Centennial Avenue  
Piscataway, New Jersey 08855  
Attention: Director of Customer Care

For residents of the United States, warranty information may also be obtained by calling the following toll free number: (800) 227-2734  
www.DXV.com

**In Canada:**

DXV  
5900 Avebury Road  
Mississauga, Ontario  
L5R 3M3  
Canada

Toll Free: 1-800-387-0369  
Local: 905-306-1093  
Fax: 1-800-395-1498  
www.DXV.ca

**In Mexico:**

DXV  
Via Morelos 330  
Col. Santa Clara Coatitla  
Ecatepec, Estado de México 55540

Toll Free: 01-800-8391200  
www.DXV.mx