

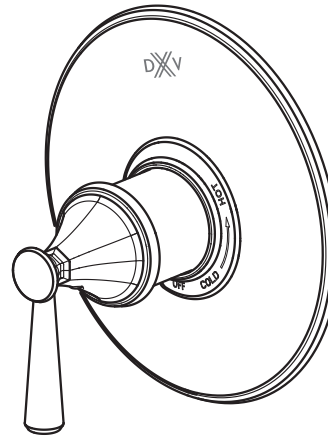
INSTALLATION INSTRUCTIONS



Fitzgerald® Pressure Balance Shower Valve Trim

Model D35160F00

To be used with D35101SS0.191
Pressure Balanced Shower Valve



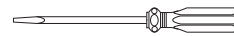
Thank you for selecting DXV. To ensure that your installation proceeds smoothly, please read these instructions carefully before you begin.

RECOMMENDED TOOLS AND MATERIALS

Most of the procedures require the use of common tools and materials, which are available from hardware and plumbing supply stores. It is essential that the tools and materials be on hand before work has begun.



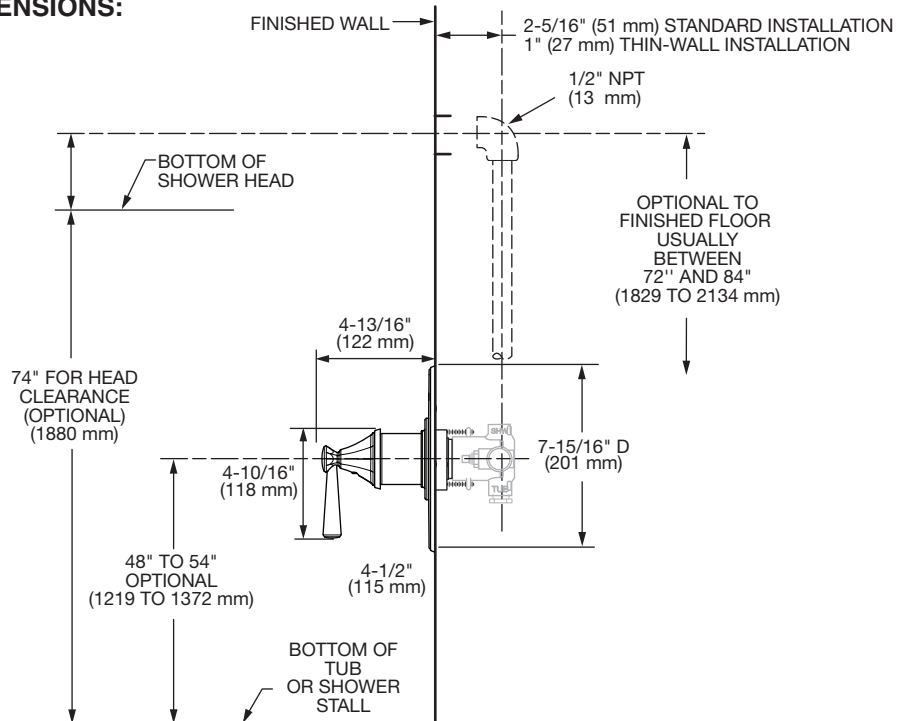
Phillips Screwdriver



Flat Blade Screwdriver

ROUGH-IN DIMENSIONS DIMENSIONS:

- For reference



In the United States:

DXV
One Centennial Avenue
Piscataway, New Jersey 08855
Attention: Director of Customer Care

For residents of the United States, warranty information may also be obtained by calling the following toll free number: (800) 227-2734
www.DXV.com

In Canada:

DXV
5900 Avebury Road
Mississauga, Ontario
L5R 3M3
Canada

Toll Free: 1-800-387-0369
Local: 905-306-1093
Fax: 1-800-395-1498
www.DXV.ca

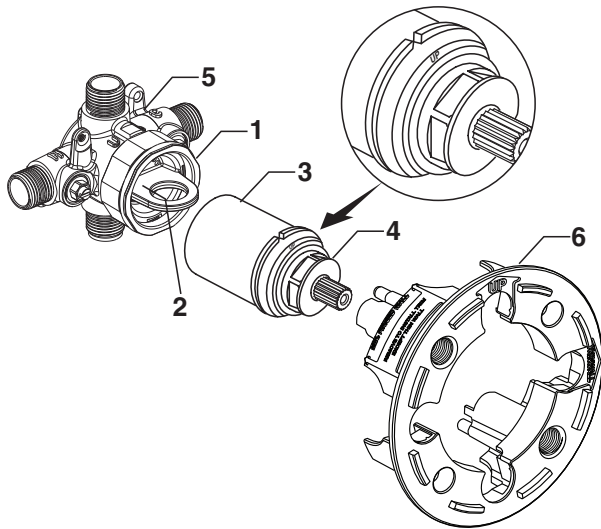
In Mexico:

DXV
Via Morelos 330
Col. Santa Clara Coatitla
Ecatepec, Estado de México 55540

Toll Free: 01-800-8391200
www.DXV.mx

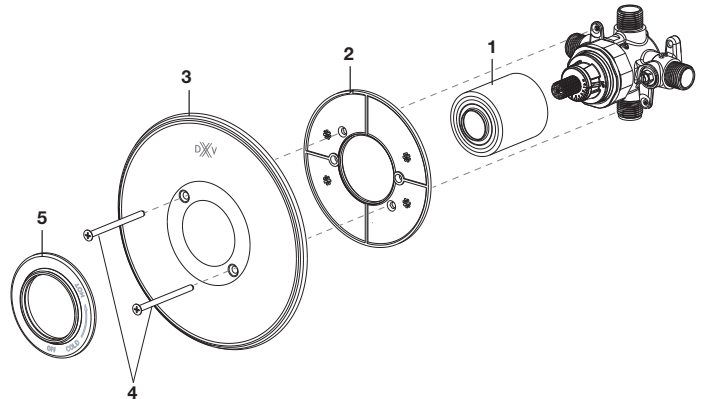
S A V E F O R F U T U R E U S E

1 CARTRIDGE INSTALLATION



- Remove PLASTER GUARD (6).
- Remove BONNET NUT (1) by unthreading it Counter clockwise. Remove FLUSH PLUG (2).
- Remove PROTECTIVE HOUSING (3) from CARTRIDGE (4). Install with "UP" text on top.
- Reinstall BONNET NUT (1) onto VALVE BODY (5) and tighten firmly.

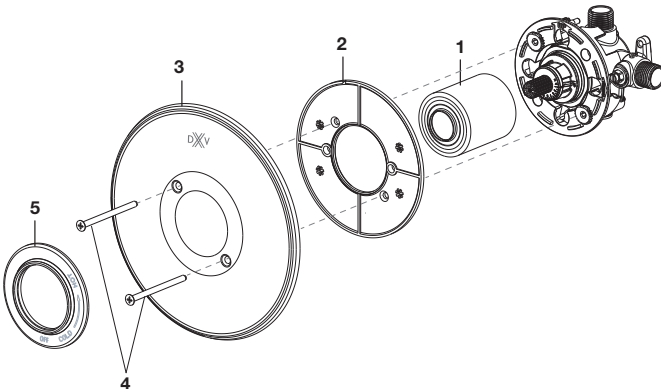
2 TRIM INSTALLATION (STANDARD WALL INSTALLATION)



CAUTION Turn off hot and cold water supplies before beginning.

- Remove plaster guard from valve.
- Push CARTRIDGE COVER (1) over the valve body.
- Thread SCREWS (4) through ESCUTCHEON (3) and ESCUTCHEON HOLDER (2) and secure to the valve body.
- Push COVER (5) on to ESCUTCHEON (3).

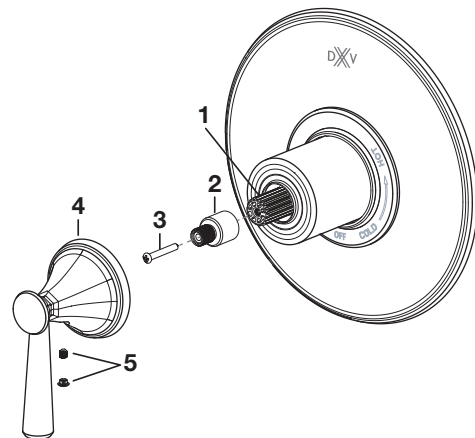
3 TRIM INSTALLATION (THIN WALL INSTALLATION)



CAUTION Turn off hot and cold water supplies before beginning.

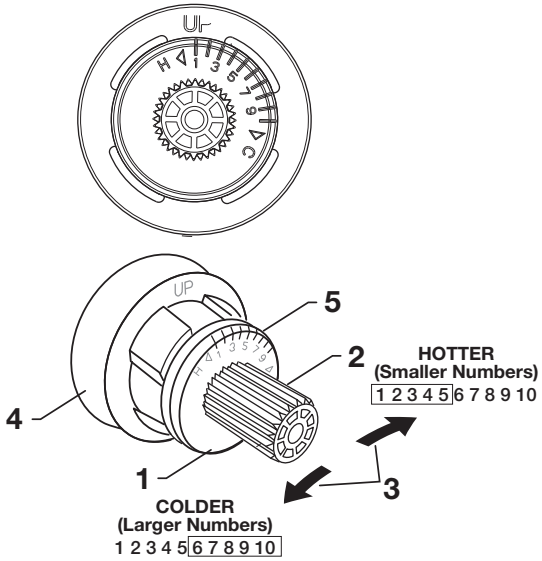
- Push CARTRIDGE COVER (1) over the valve body.
- Thread SCREWS (4) through ESCUTCHEON (3) and ESCUTCHEON HOLDER (2) and secure to the valve body through the plaster guard.
- Push COVER (5) on to ESCUTCHEON (3).

4 HANDLE INSTALLATION



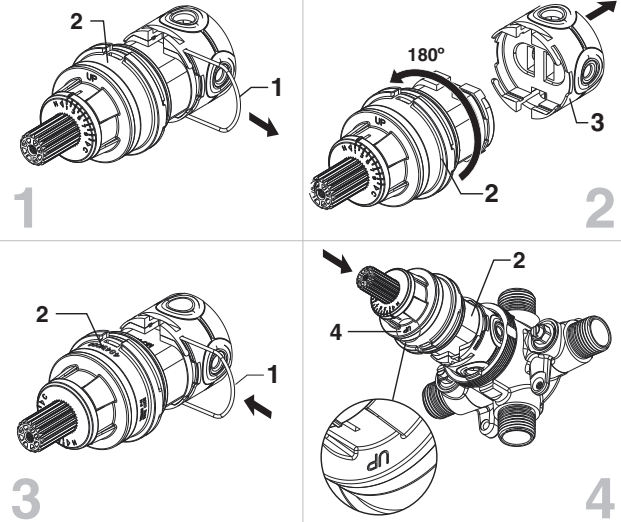
- Push HANDLE ADAPTER (2) over CARTRIDGE STEM (1) and secure with SCREW (3).
- Push HANDLE (4) over HANDLE ADAPTER (2) and secure with SET SCREW & PLUG BUTTON (5).

5 ADJUST HOT LIMIT STOP



- By restricting HANDLE rotation and limiting the amount of hot water allowed to mix with the cold, the HOT LIMIT SAFETY STOP (1) reduces risk of accidental scalding. To set the maximum hot water temperature of your faucet valve, adjust the setting on the HOT LIMIT SAFETY STOP (1).
- Turn CARTRIDGE STEM (2) to the OFF position (coldest setting) before making adjustment to HOT LIMIT STOP (3). Pull forward and rotate counterclockwise one number to limit hot water temperature. Use NUMBERS (5) on CARTRIDGE (4) on HOT LIMIT STOP (3) for indication.

6 BACK TO BACK INSTALLATION



- Remove PIN (1) from CARTRIDGE (2) by pulling.
- Separate MANIFOLD (3) from CARTRIDGE (2) by pulling.
- Rotate CARTRIDGE (2) 180 degrees and reinstall MANIFOLD (3) with PIN (1).
- The “up” TEXT (4) should now be facing downward during installation of the CARTRIDGE (2).

CARE AND CLEANING:

Do: Simply rinse the product clean with clear water, dry with a soft cotton flannel cloth.

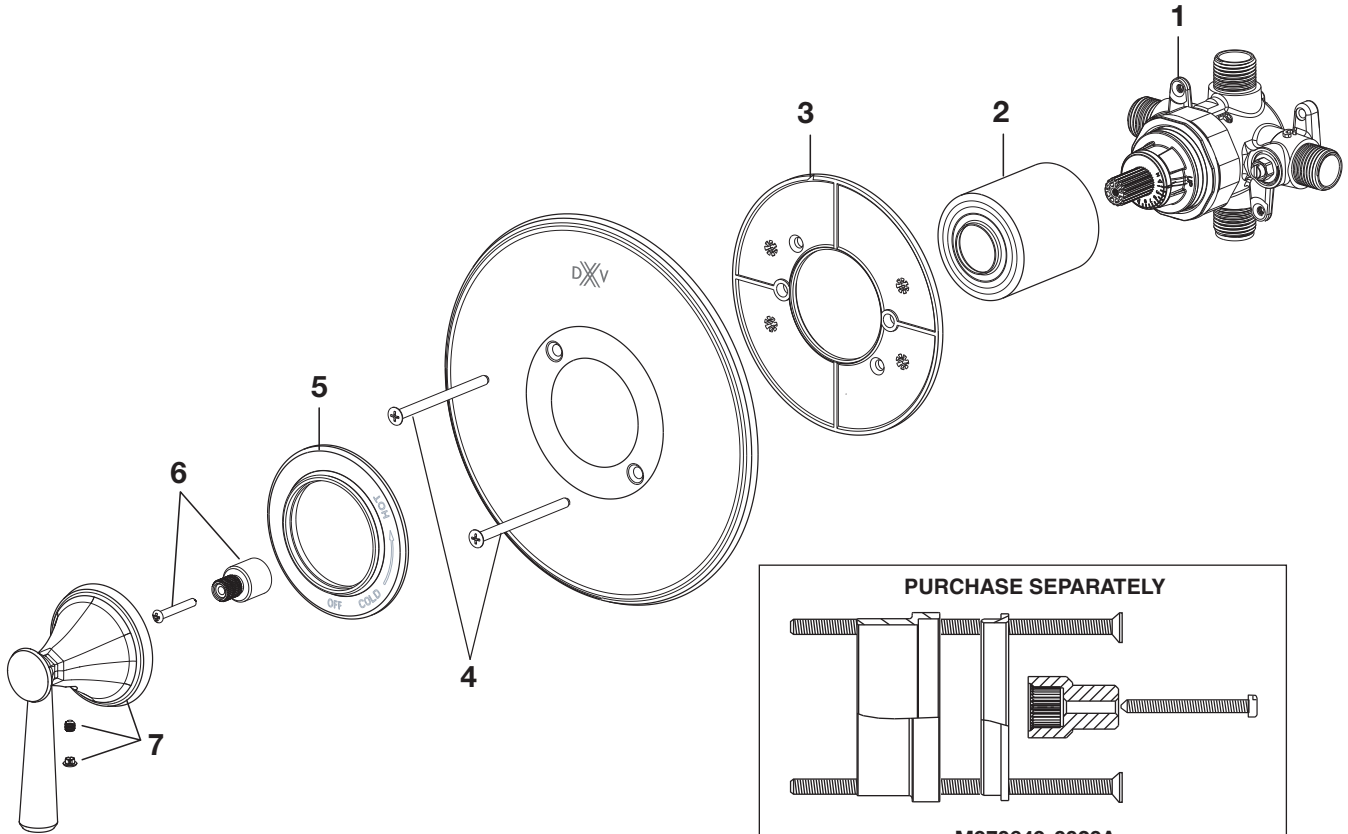
Do Not: Clean the product with soaps, acid, polish, abrasives, harsh cleaners, or a cloth with a coarse surface.



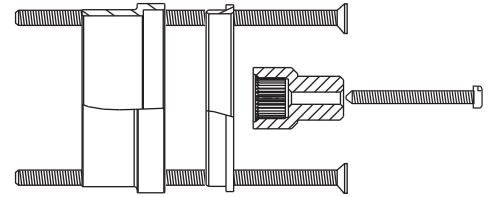
Fitzgerald®
Pressure Balance
Shower Valve Trim

MODEL NUMBER

D35160F00



PURCHASE SEPARATELY



M970649-0020A
DEEP ROUGH-IN KIT

Replace the "YYY" with appropriate finish code

POLISHED CHROME	100
BRUSHED NICKEL	144
PLATINUM NICKEL	150

1	M970654-0070A	CARTRIDGE
2	M964519-YYY0A	CARTRIDGE COVER
3	D970031-0070A	TRIM PLATE HOLDER
4	H960685.191	TRIM PLATE SCREWS
5	H961229.YYY	TRIM RING
6	H961279.191	HANDLE ADAPTER KIT
7	M970539-YYY0A	HANDLE KIT