

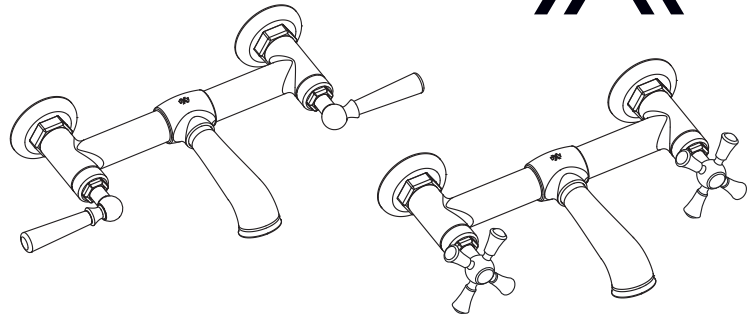
# INSTALLATION INSTRUCTIONS



## Oak Hill™ Wall-Mount Lavatory Faucet

**Model D35155450 - Lever Handle**  
**Model D35155470 - Cross Handle**

*Thank you for selecting DXV. To ensure that your installation proceeds smoothly, please read these instructions carefully before you begin.*



### RECOMMENDED TOOLS AND MATERIALS

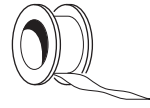
Most of the procedures require the use of common tools and materials which are available from hardware and plumbing supply stores. It is essential that the tools and materials be on hand before work is begun.



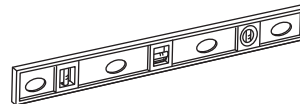
Adjustable Wrench



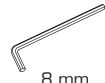
Channel Locks



Sealing Tape



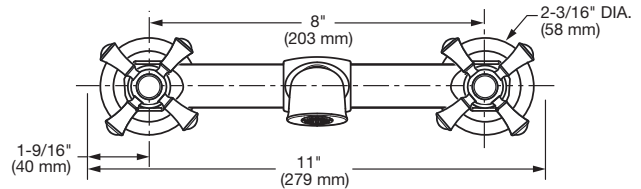
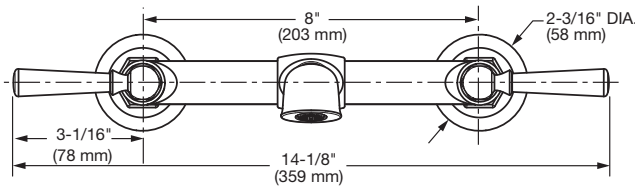
Level



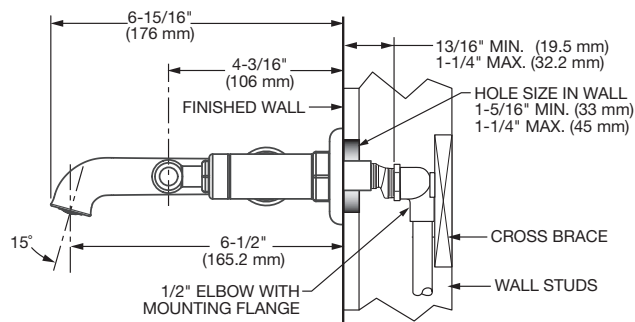
8 mm  
Hex wrench

### ROUGHING-IN DIMENSIONS:

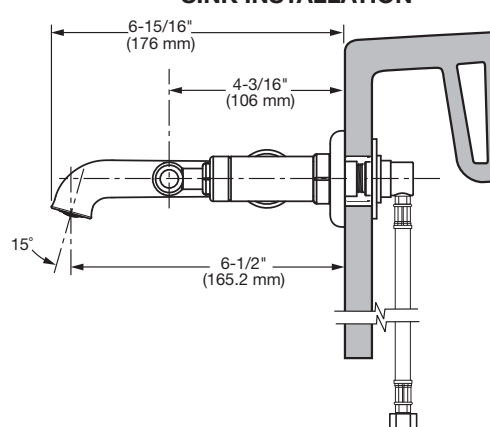
- For reference



### WALL INSTALLATION



### SINK INSTALLATION



#### In the United States:

DXV  
One Centennial Avenue  
Piscataway, New Jersey 08855  
Attention: Director of Customer Care

For residents of the United States, warranty information may also be obtained by calling the following toll free number: (800) 227-2734  
[www.DXV.com](http://www.DXV.com)

#### In Canada:

DXV  
5900 Avebury Road  
Mississauga, Ontario  
L5R 3M3  
Canada

Toll Free: 1-800-387-0369  
Local: 905-306-1093  
Fax: 1-800-395-1498  
[www.DXV.ca](http://www.DXV.ca)

#### In Mexico:

DXV  
Via Morelos 330  
Col. Santa Clara Coatitla  
Ecatepec, Estado de México 55540

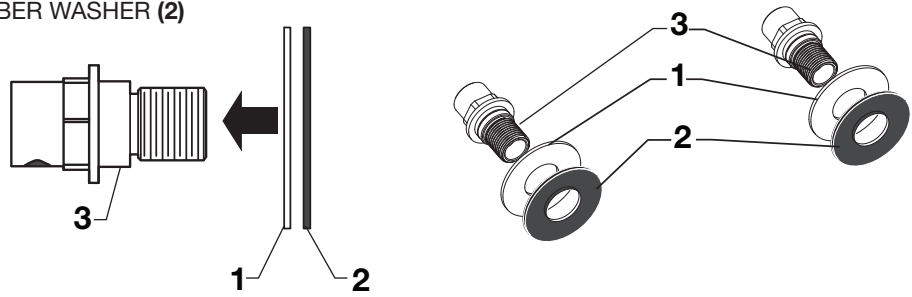
Toll Free: 01-800-8391200  
[www.DXV.mx](http://www.DXV.mx)

SAVE FOR FUTURE USE

# DXV SINK INSTALLATION

## 1 INSTALL MOUNTING WASHERS

- Install METAL WASHER (1) and RUBBER WASHER (2) onto each SUPPLY SHANK (3).



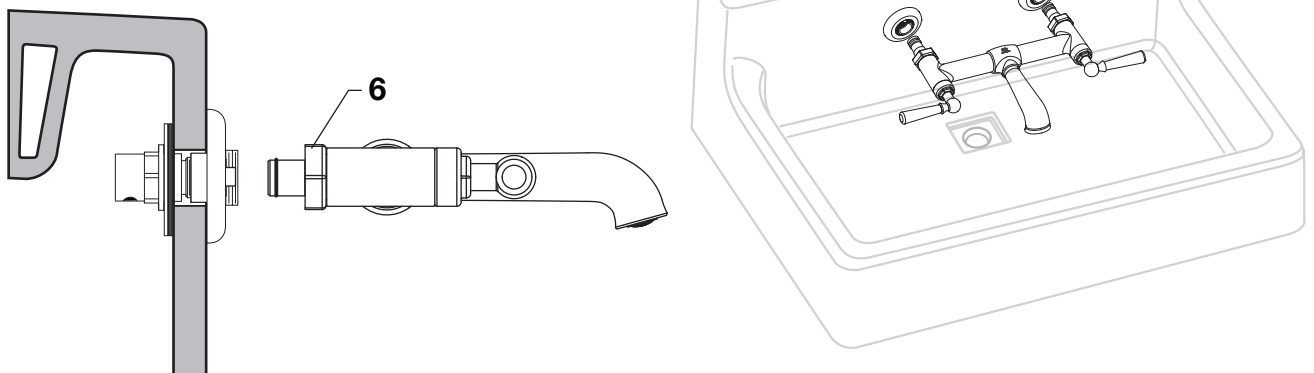
## 2 INSTALL SUPPLY SHANKS TO LAVATORY

- From behind the sink, insert SUPPLY SHANKS (3) with washers into the faucet holes.
- Install ESCUTCHEON (4) and ADAPTER NUT (5) onto each SUPPLY SHANK (3). Hand tighten. These parts must be installed loosely and should be able to move around within the two sink holes. Keep Inlet Holes on SUPPLY SHANKS (3) facing down.



## 3 ATTACH FAUCET BODY

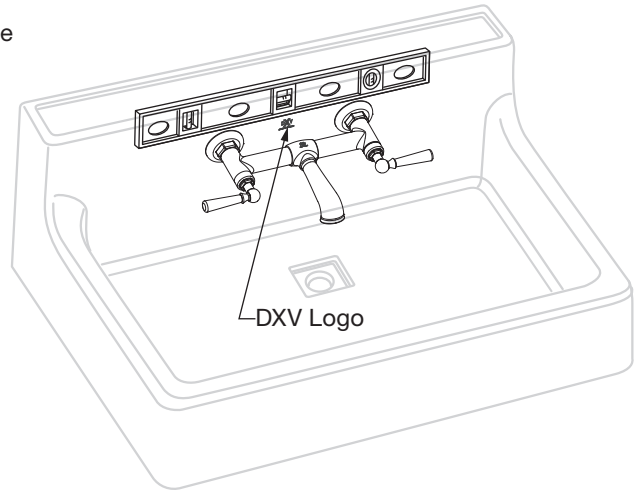
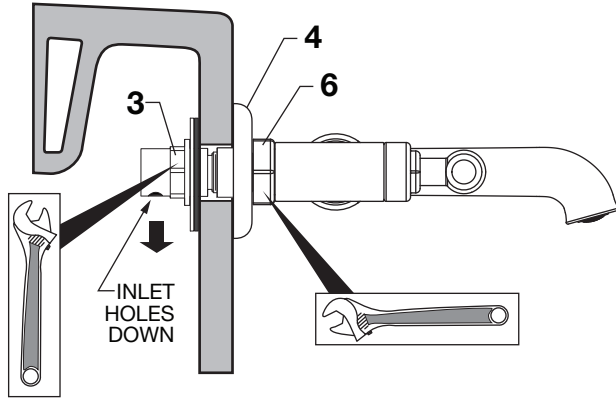
- Insert faucet inlets into previously installed ADAPTER NUTS and SUPPLY SHANKS.
- Gradually hand tighten MOUNTING NUTS (6) evenly. If they become too difficult to turn and are binding, please check the following:
  - The mounting parts are not loose enough.
  - One side has been over tightened too much and the body is uneven.



# DXV SINK INSTALLATION

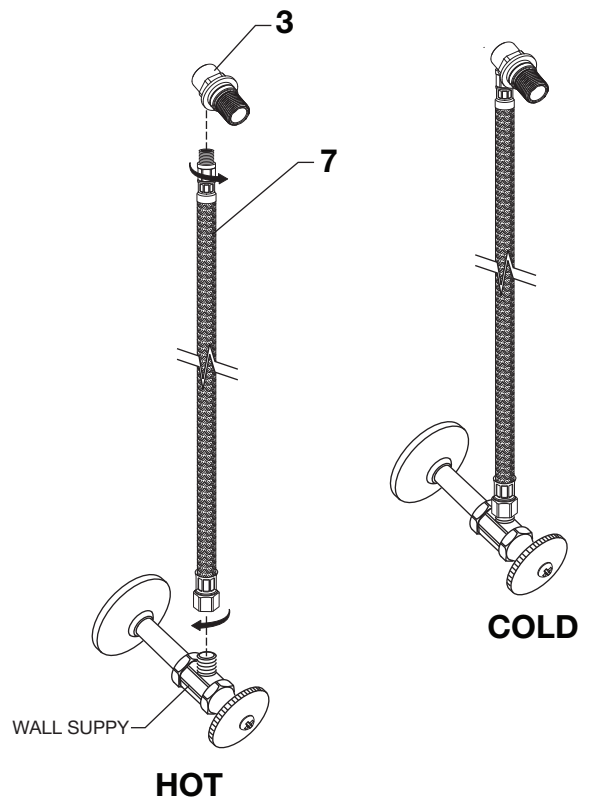
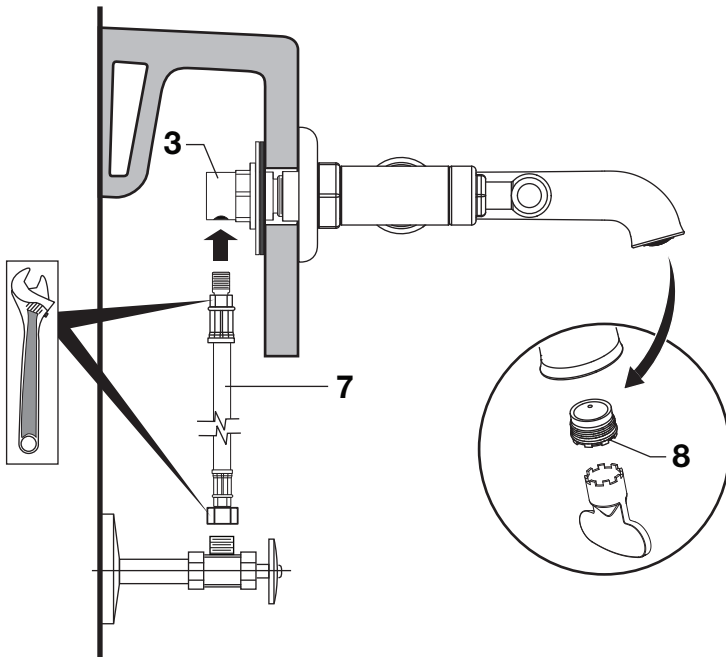
## 4 REALIGN MOUNTING PARTS

- Make sure both inlet holes on SUPPLY SHANKS (3) are still facing downward.
- Check that the faucet is level and make sure both MOUNTING NUTS (6) are fully threaded against the ESCUTCHEONS (4). Align faucet body with the DXV logo on sink.
  - To fully tighten MOUNTING NUTS (6): turn faucet nut clockwise while holding SUPPLY SHANKS (3) nut.



## 5 INSTALL SUPPLY HOSES

- Thread SUPPLY HOSES (7) into SUPPLY SHANK (3) inlet holes. Tighten with adjustable wrench.
- Connect SUPPLY HOSES (7) to Hot and Cold wall supplies. Loop SUPPLY HOSES (7) if necessary to avoid kinking.



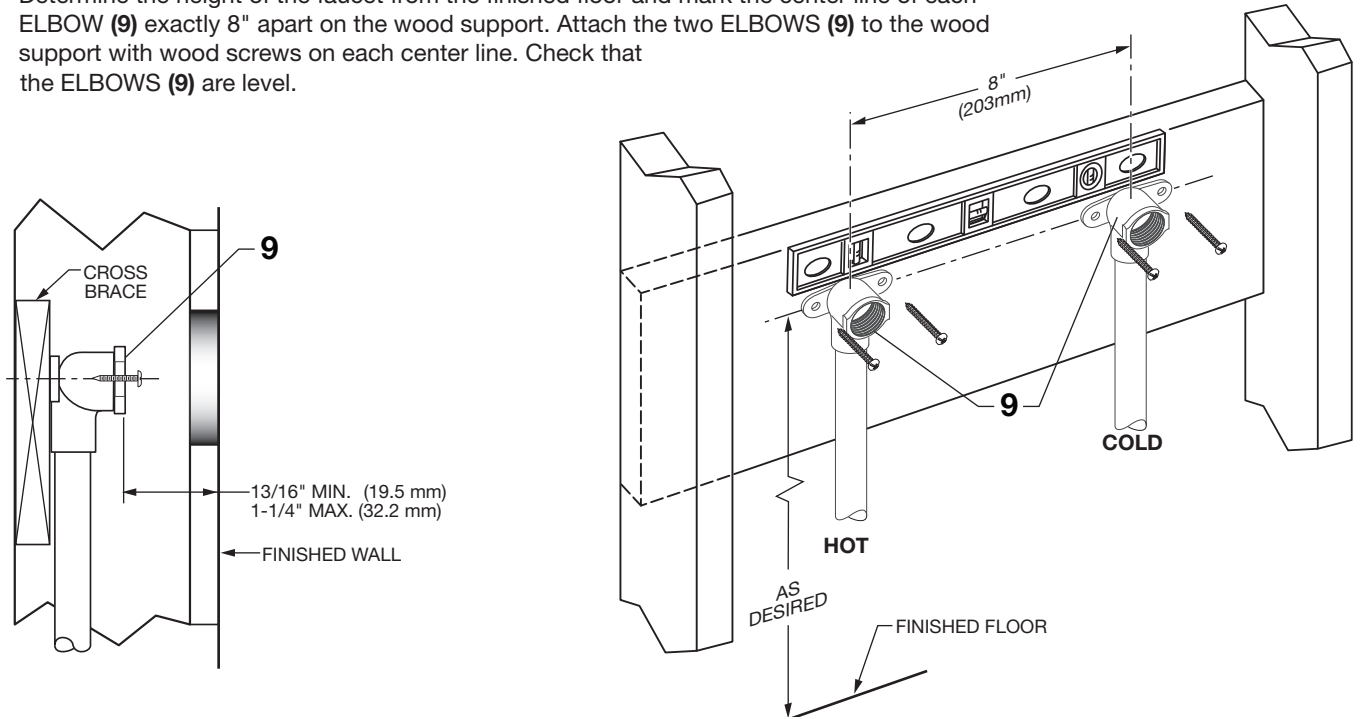
## 6 TEST INSTALLED FAUCET

- With HANDLES in OFF position, turn on water supplies and check all connections for leaks.
- Remove AERATOR (8) with the key provided.
- Operate HANDLES to flush water lines thoroughly.
- Re-install AERATOR (8) and tighten.

# WALL-MOUNT INSTALLATION

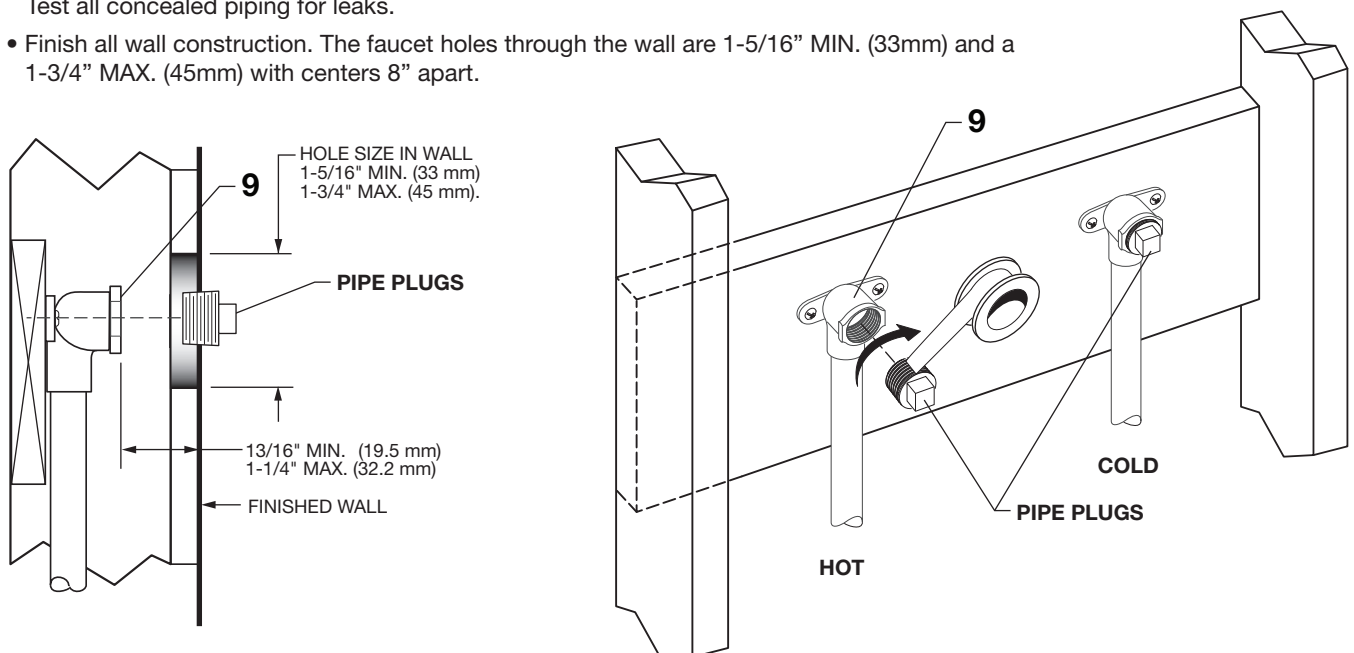
## 1 WALL MOUNT INSTALLATION

- Determine where the finished wall location will be. ***This measurement is very important!***  
Note: The rough-in measurement from the end of the elbow to the finished wall is a minimum of 13/16" (19mm) and a maximum of 1-1/4" (32.2mm).
- Determine the height of the faucet from the finished floor and mark the center line of each ELBOW (9) exactly 8" apart on the wood support. Attach the two ELBOWS (9) to the wood support with wood screws on each center line. Check that the ELBOWS (9) are level.



## 2 INSTALL PIPE PLUGS

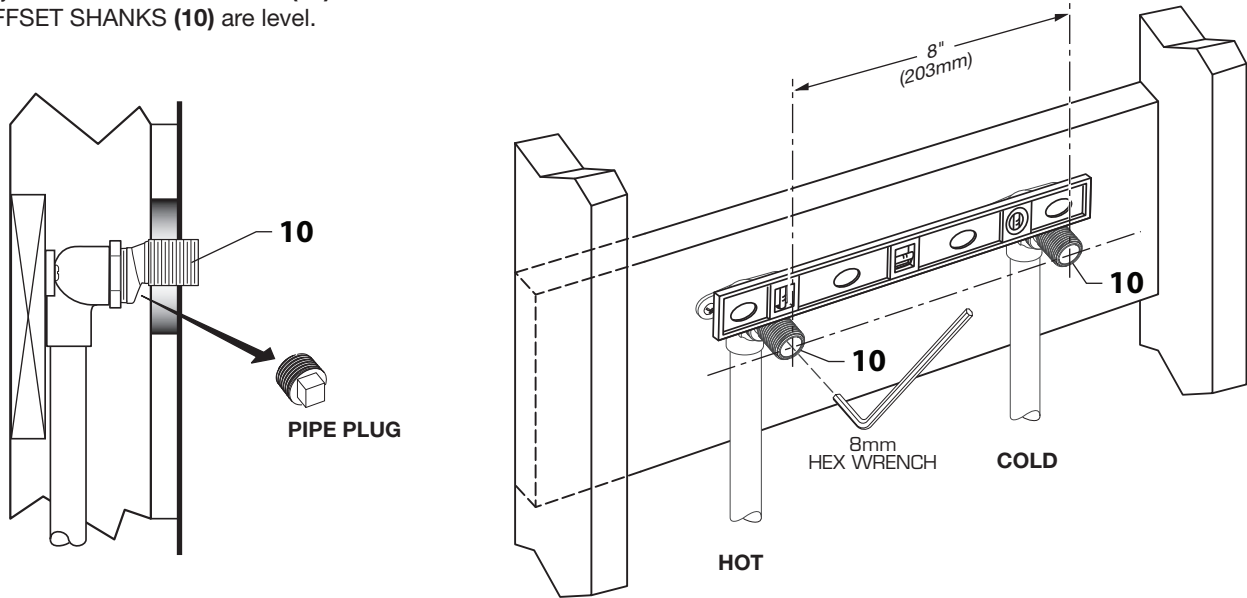
- Apply SEALING TAPE to PIPE PLUGS and thread into the ELBOWS (9).  
Test all concealed piping for leaks.
- Finish all wall construction. The faucet holes through the wall are 1-5/16" MIN. (33mm) and a 1-3/4" MAX. (45mm) with centers 8" apart.



## WALL-MOUNT INSTALLATION

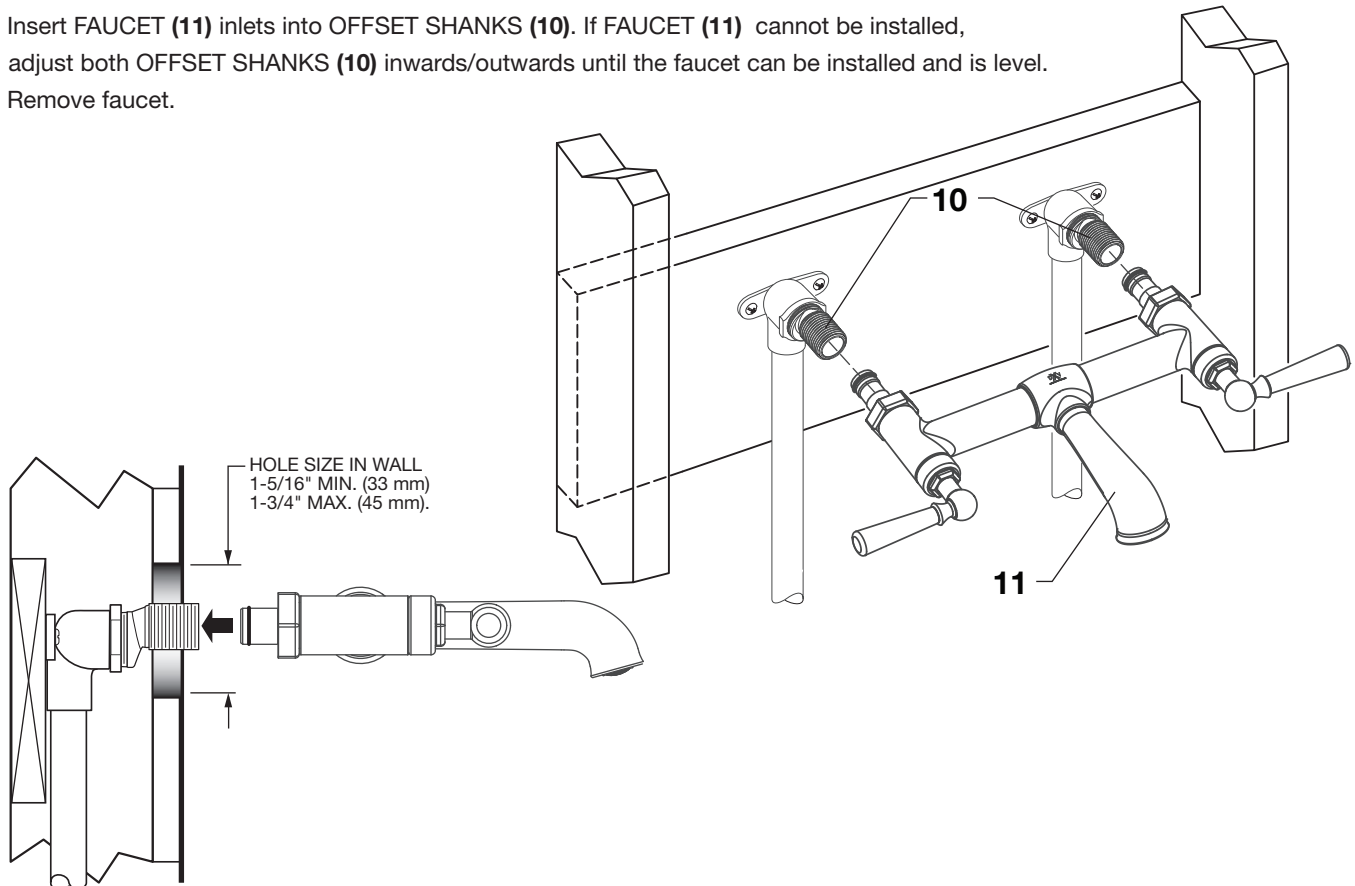
### 3 ALIGN OFFSET SHANKS

- Turn off water supplies. Remove the two PIPE PLUGS. Apply SEALING TAPE to the end of each OFFSET SHANK (10) and thread into each ELBOW (9) with a 8mm HEX WRENCH.
- Check that the OFFSET SHANKS (10) are level and centers are 8" (203mm) apart. **Distance needs to be maintained accurately.**
- Adjust each OFFSET SHANK (10) if needed with the 8mm HEX WRENCH until OFFSET SHANKS (10) are level.



### ALIGN FAUCET WITH SHANKS

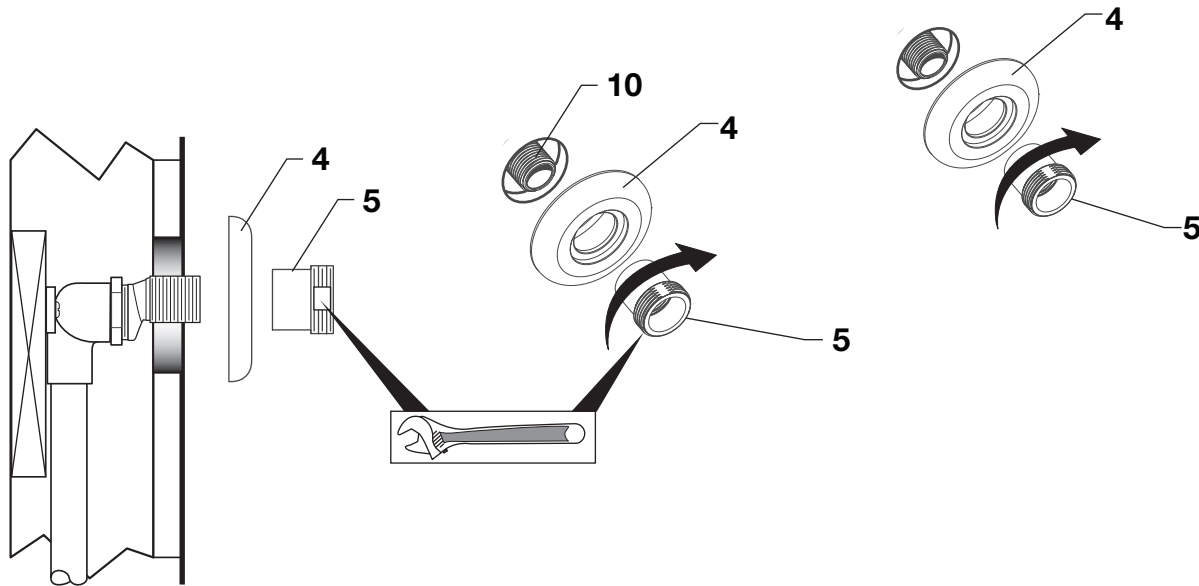
- Insert FAUCET (11) inlets into OFFSET SHANKS (10). If FAUCET (11) cannot be installed, adjust both OFFSET SHANKS (10) inwards/outwards until the faucet can be installed and is level.
- Remove faucet.



## WALL-MOUNT INSTALLATION

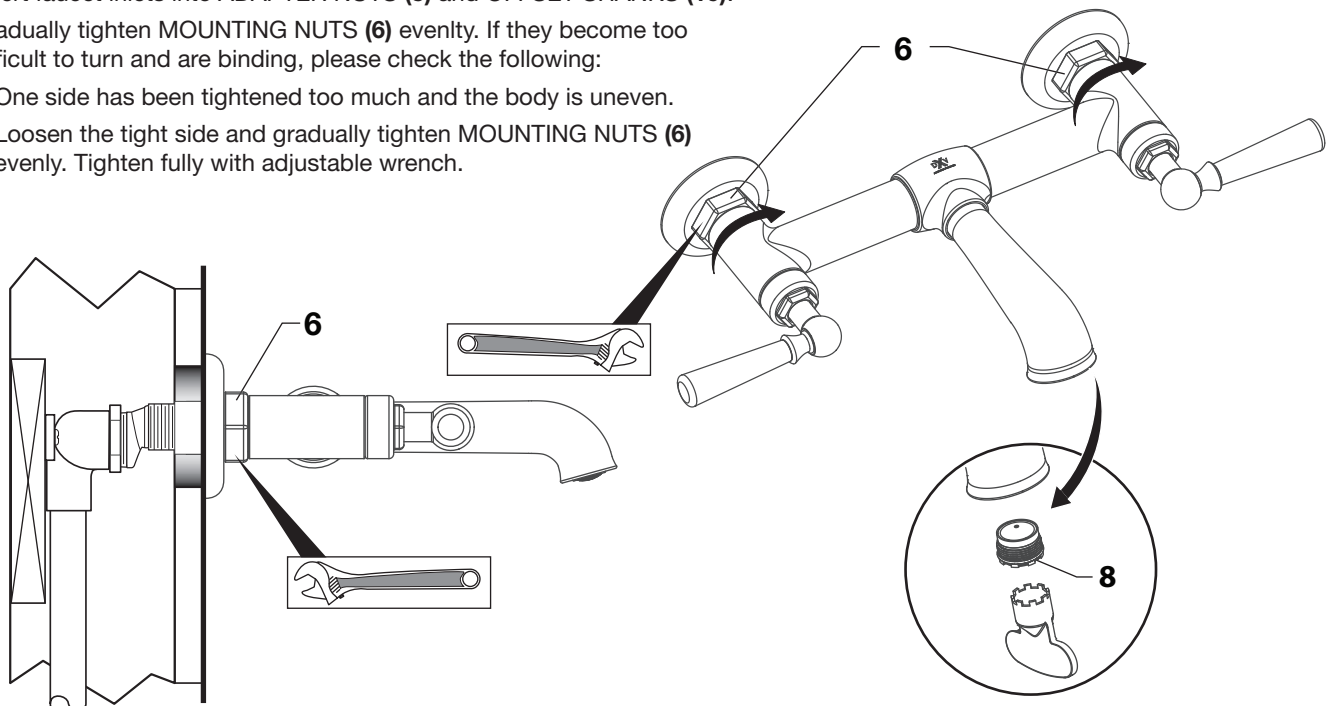
### 4 INSTALL ESCUTCHEONS AND ADAPTER NUTS

- Install ESCUTCHEON (4) and ADAPTER NUT (5) onto each OFFSET SHANK (10). Gradually tighten ADAPTER NUTS (5) until ESCUTCHEONS (4) are flush against the finished wall.



### 5 INSTALL FAUCET

- Insert faucet inlets into ADAPTER NUTS (5) and OFFSET SHANKS (10).
- Gradually tighten MOUNTING NUTS (6) evenly. If they become too difficult to turn and are binding, please check the following:
  - One side has been tightened too much and the body is uneven.
  - Loosen the tight side and gradually tighten MOUNTING NUTS (6) evenly. Tighten fully with adjustable wrench.



### 6 TEST INSTALLED FAUCET

- With HANDLES in OFF position, turn on water supplies and check all connections for leaks.
- Remove AERATOR (8) with the key provided.
- Operate HANDLES to flush water lines thoroughly.
- Re-install AERATOR (8) and tighten.



# Oak Hill™ Wall-Mount Lavatory Faucet

## MODEL NUMBERS

Lever Handle

**D35155450**

Cross Handle

**D35155470**

Replace the "YYY" with appropriate finish code

POLISHED CHROME	100
BRUSHED NICKEL	144
PLATINUM NICKEL	150
SATIN BRASS	427

