

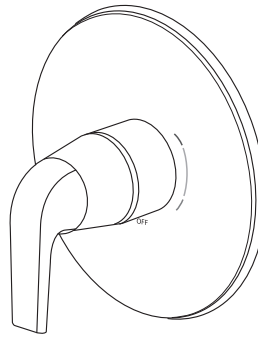
INSTALLATION INSTRUCTIONS



DXV Modulus™ Pressure Balance Shower Valve Trim Kit

Models D35120500
D35120500RB

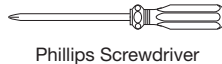
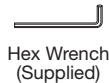
To be used with D35000500.191
Pressure Balanced Shower Valve



Thank you for selecting DXV. To ensure that your installation proceeds smoothly, please read these instructions carefully before you begin.

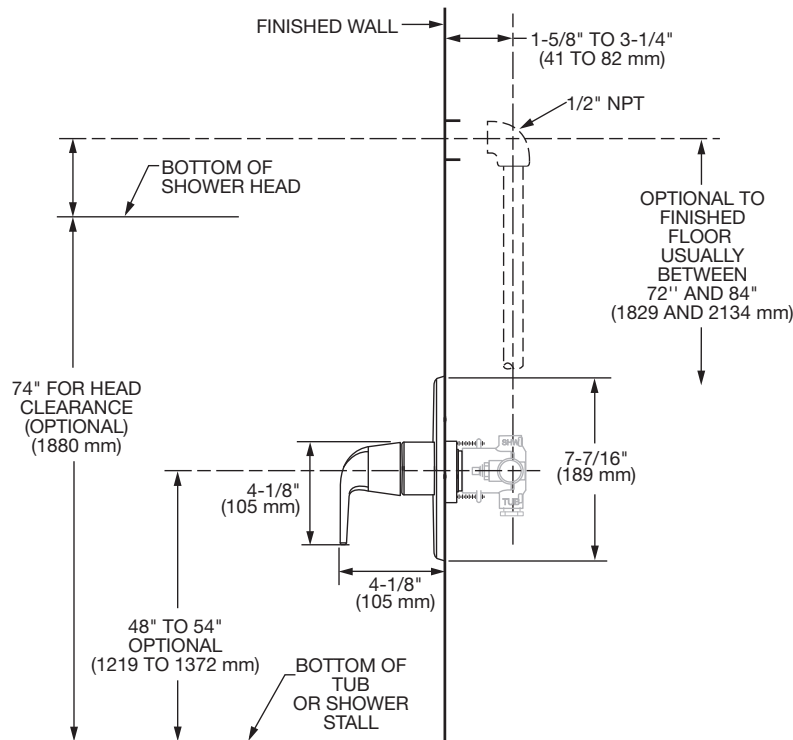
RECOMMENDED TOOLS AND MATERIALS

Most of the procedures require the use of common tools and materials, which are available from hardware and plumbing supply stores. It is essential that the tools and materials be on hand before work has begun.



TRIM DIMENSIONS:

- For reference



S
A
V
E
F
O
R
F
U
T
U
R
E
U
S
E

In the United States:

DXV
One Centennial Avenue
Piscataway, New Jersey 08855
Attention: Director of Customer Care

For residents of the United States, warranty information may also be obtained by calling the following toll free number: (800) 227-2734
www.DXV.com

In Canada:

DXV
5900 Avebury Road
Mississauga, Ontario
L5R 3M3
Canada

Toll Free: 1-800-387-0369
Local: 905-306-1093
Fax: 1-800-395-1498
www.DXV.ca

In Mexico:

DXV
Via Morelos 330
Col. Santa Clara Coatitla
Ecatepec, Estado de México 55540

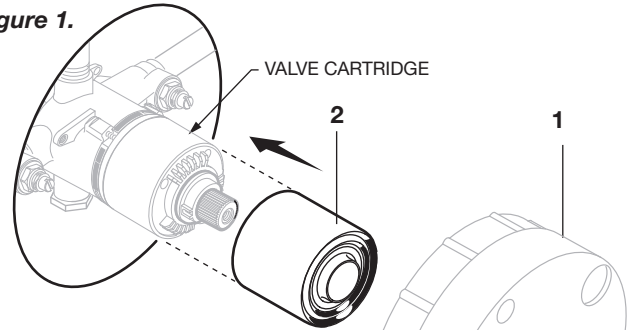
Toll Free: 01-800-8391200
www.DXV.mx

1a INSTALL VALVE TRIM

CAUTION Turn off hot and cold water supplies before beginning.

- When finished tiling the wall, remove the PLASTER GUARD (1).
- **Figure 1.** Push CAP (2) over VALVE CARTRIDGE until seated against stop.

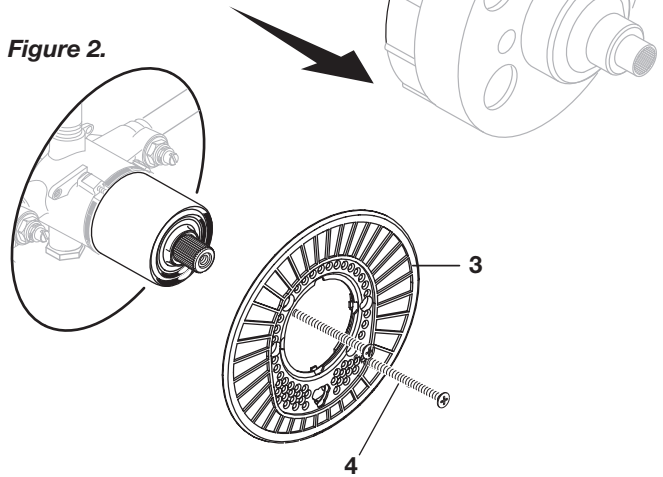
Figure 1.



1b

- **Figure 2.** Mount ESCUTCHEON HOLDER (3) and gasket to valve body with SCREWS (4).

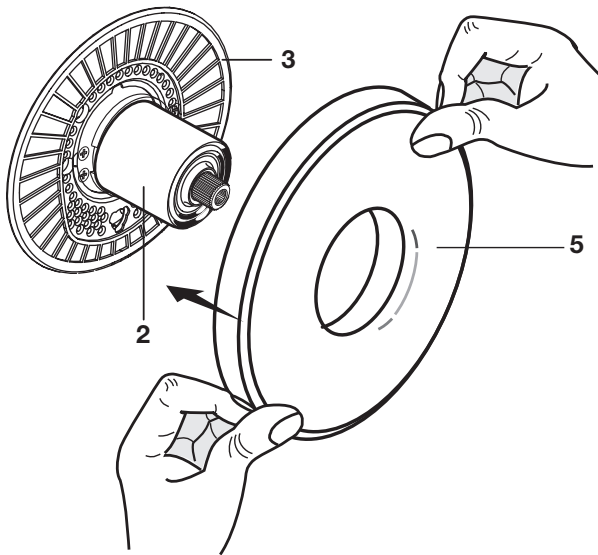
Figure 2.



1c

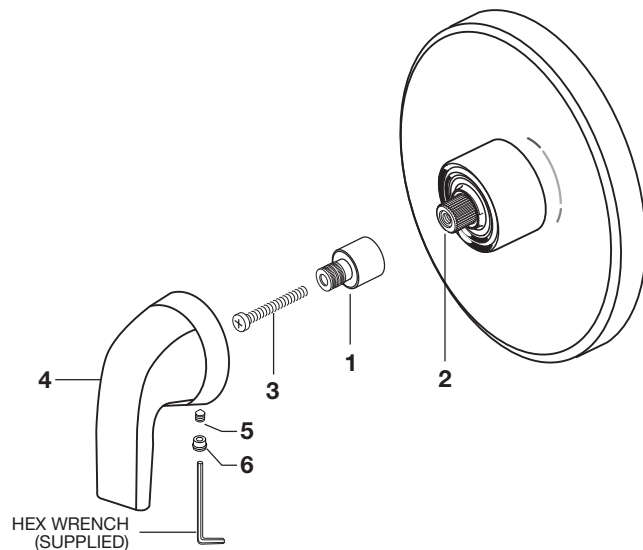
- **Figure 3.** Install ESCUTCHEON (5) onto CAP (2) and push flush against finished wall. ESCUTCHEON (5) will snap fit onto ESCUTCHEON HOLDER (3).

Figure 3.



2 INSTALL HANDLE

- Install HANDLE ADAPTER (1) onto VALVE STEM (2) and secure with SCREW (3).
- Align LEVER HANDLE (4) so lever is facing down and tighten SET SCREW (5) with hex wrench to secure LEVER HANDLE (4). Install PLUG BUTTON (6).



3

TEST INSTALLED FAUCET

- Turn VALVE “off”.
- With HANDLE in “off” position, turn on water supplies and check all connections for leaks.
- Operate HANDLE and flush water lines thoroughly.



DXV Modulus™
Pressure Balanced
Shower Valve Trim Kit

MODEL NUMBERS

D35120500
D35120500RB

Replace the “YYY” with appropriate finish code

POLISHED CHROME	100
BRUSHED NICKEL	144
PLATINUM NICKEL	150
MATTE BLACK	243

