

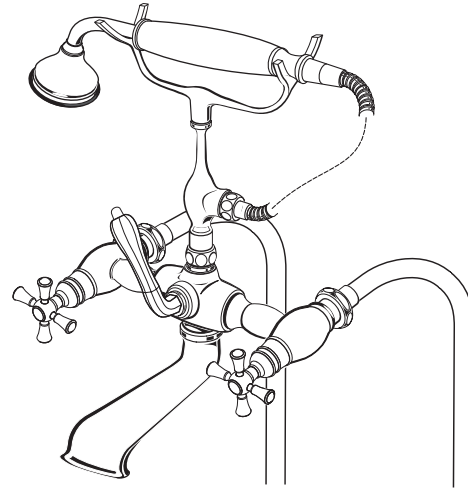
INSTALLATION INSTRUCTIONS



Transitional Floor Mount Tub Filler

**Cross Handle
Model D3510296C**

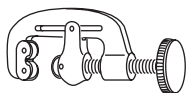
**Lever Handle
Model D3510295C**



Thank you for selecting DXV. To ensure that your installation proceeds smoothly, please read these instructions carefully before you begin.

RECOMMENDED TOOLS AND MATERIALS

Most of the procedures require the use of common tools and materials, which are available from hardware and plumbing, supply stores. It is essential that the tools and materials be on hand before work is begun.



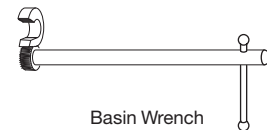
Tubing Cutter



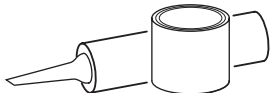
Channel Locks



Adjustable Wrench



Basin Wrench



Plumbers' Putty or Caulking



Flat Blade Screwdriver



Phillips Screwdriver

In the United States:

DXV
One Centennial Avenue
Piscataway, New Jersey 08855
Attention: Director of Customer Care

For residents of the United States, warranty information may also be obtained by calling the following toll free number: (800) 227-2734
www.DXV.com

In Canada:

DXV
5900 Avebury Road
Mississauga, Ontario
L5R 3M3
Canada

Toll Free: 1-800-387-0369
Local: 905-306-1093
Fax: 1-800-395-1498
www.DXV.ca

In Mexico:

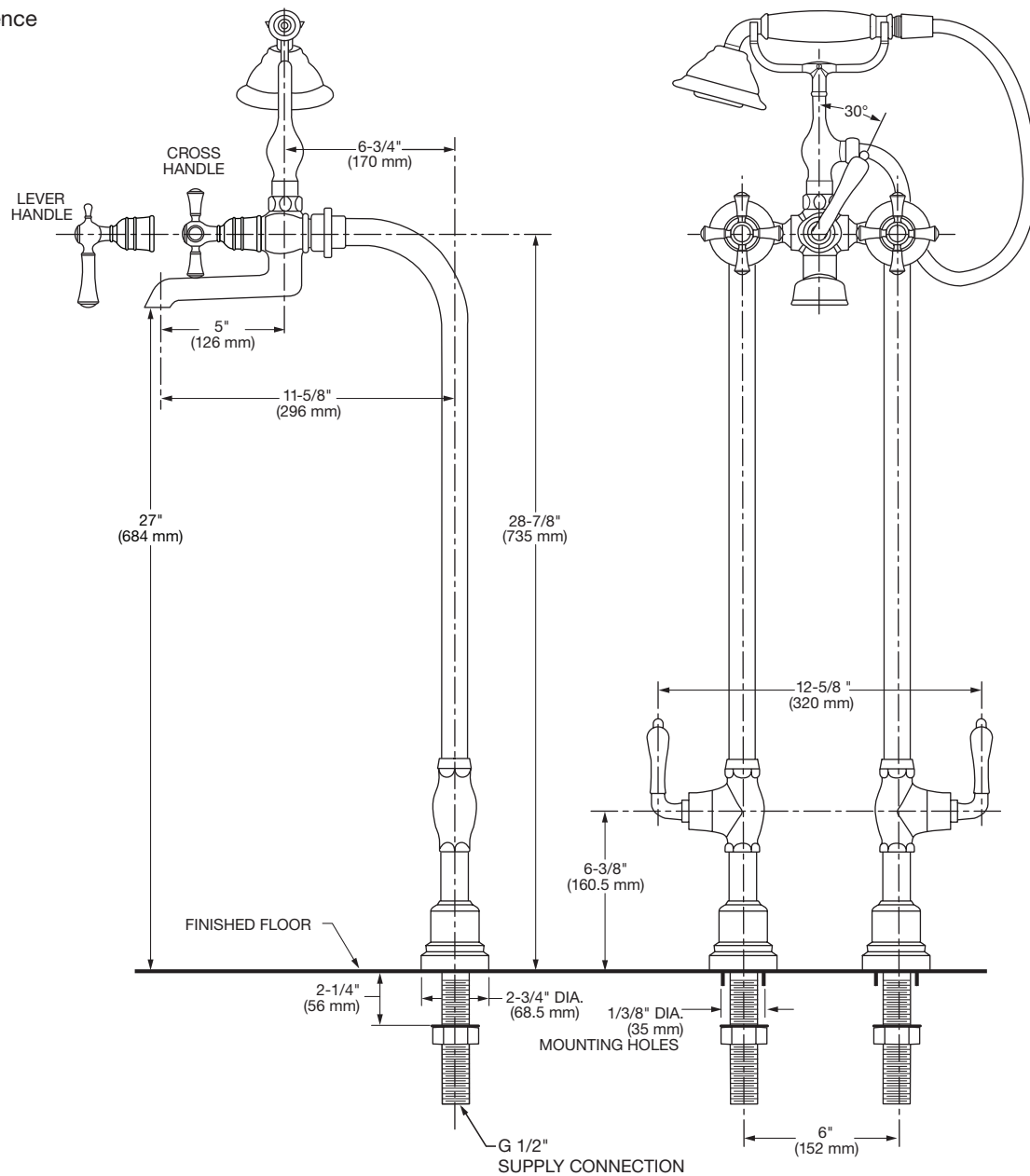
DXV
Via Morelos 330
Col. Santa Clara Coatitla
Ecatepec, Estado de México 55540

Toll Free: 01-800-8391200
www.DXV.mx

SAVE FOR FUTURE USE

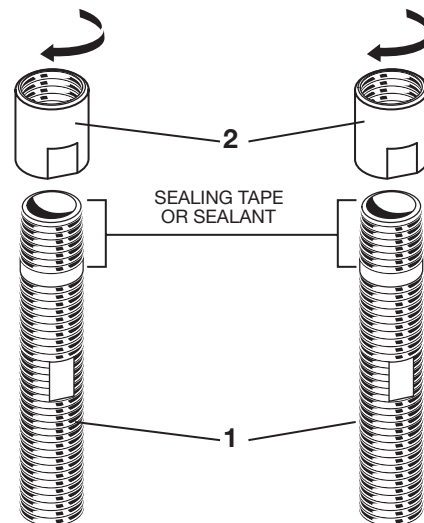
ROUGHING-IN DIMENSIONS:

- For reference



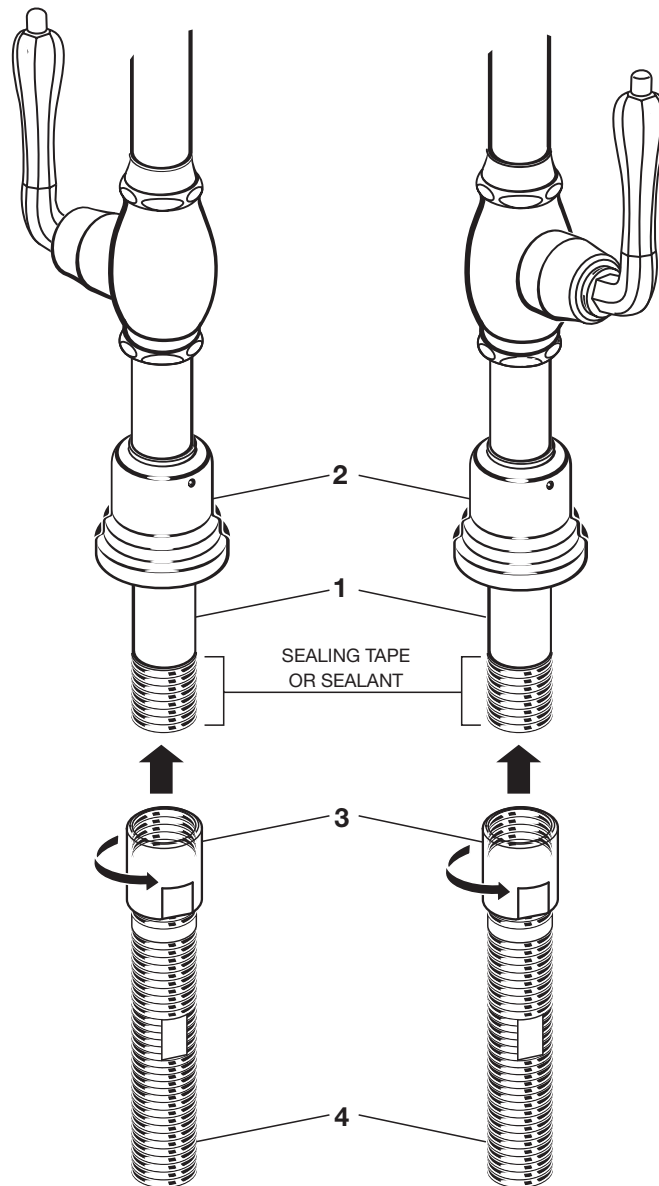
1 ASSEMBLE MOUNTING STUDS

- Apply sealing tape or sealant to threads of MOUNTING STUDS (1) as shown in illustration.
- Thread STUD ADAPTERS (2) onto MOUNTING STUDS (1). Tighten fully with wrenches.



2 ASSEMBLE FLOOR ESCUTCHEONS AND RISER PIPING

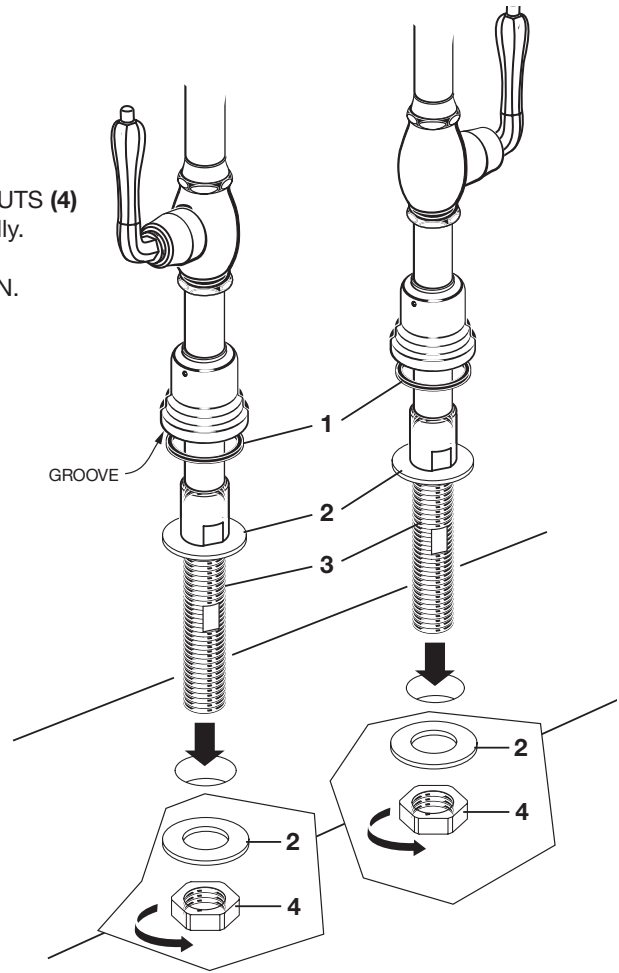
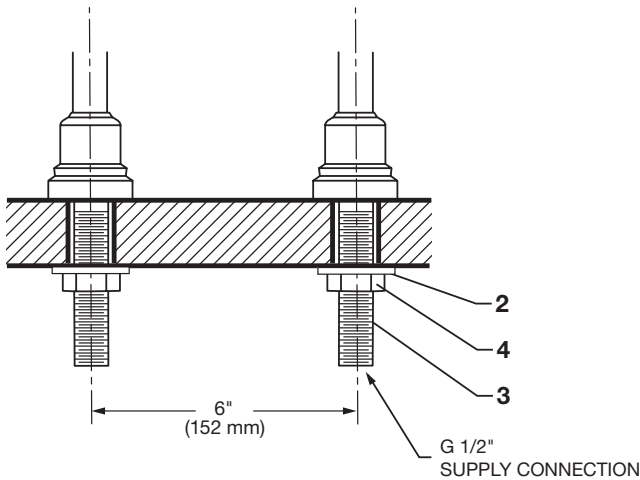
- Apply sealing tape or sealant to threads of RISER PIPES (1).
- Slide FLOOR ESCUTCHEONS (2) onto RISER PIPES (1).
- With wrenches connect the STUD ADAPTERS (3) to RISER PIPES (1).
- Tighten MOUNTING STUDS (4) to RISER PIPES (1).



3 INSTALL RISER SUPPLY PIPING

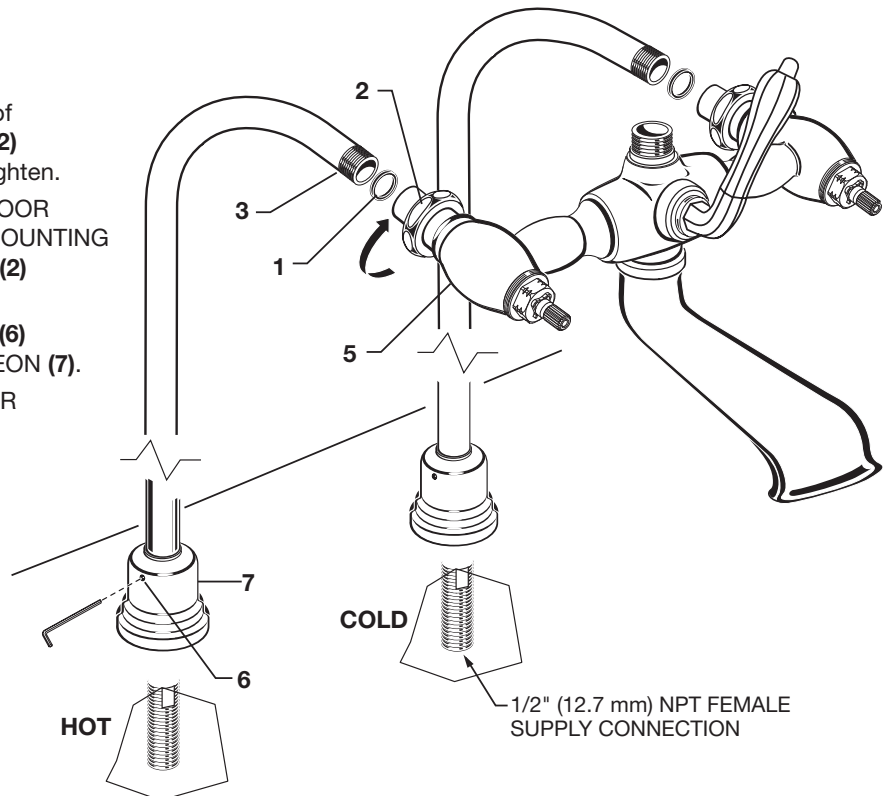
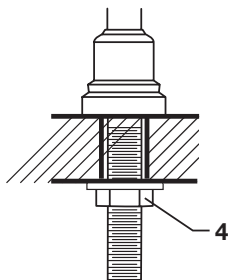
- Install ESCUTCHEON SEALS (1) into groove in escutcheon base.
- Slide BRASS WASHERS (2) onto RISER PIPES (3).
- Install RISER SUPPLY PIPES (3) into mounting holes in floor.
From underside of floor install BRASS WASHERS (2) and LOCK NUTS (4) onto RISER SUPPLY PIPES (3). Do not tighten LOCK NUTS (4) fully.

NOTE: RISER SUPPLY PIPES (3) are G 1/2" SUPPLY CONNECTION.



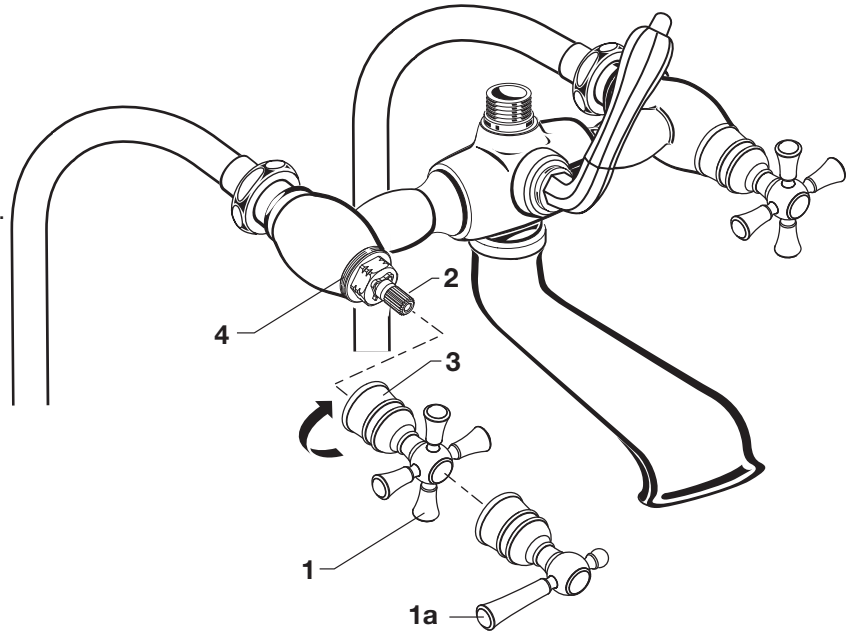
4 INSTALL BATH FILLER

- Install two SEAL WASHERS (1) into COUPLINGS (2) if not already installed.
- Align FLOOR SUPPLIES (3) with inlets of COUPLINGS (2). Thread COUPLINGS (2) to FLOOR SUPPLIES (3). Do not fully tighten.
- When alignment of BATH FILLER and FLOOR SUPPLIES are complete, fully tighten MOUNTING NUTS (4) below floor and COUPLINGS (2) on BATH FILLER (5).
- Tighten ESCUTCHEON SET SCREWS (6) with Hex Wrench to secure ESCUTCHEON (7).
- Connect Hot and Cold supplies to RISER SUPPLY PIPES (3). are G 1/2" SUPPLY CONNECTION



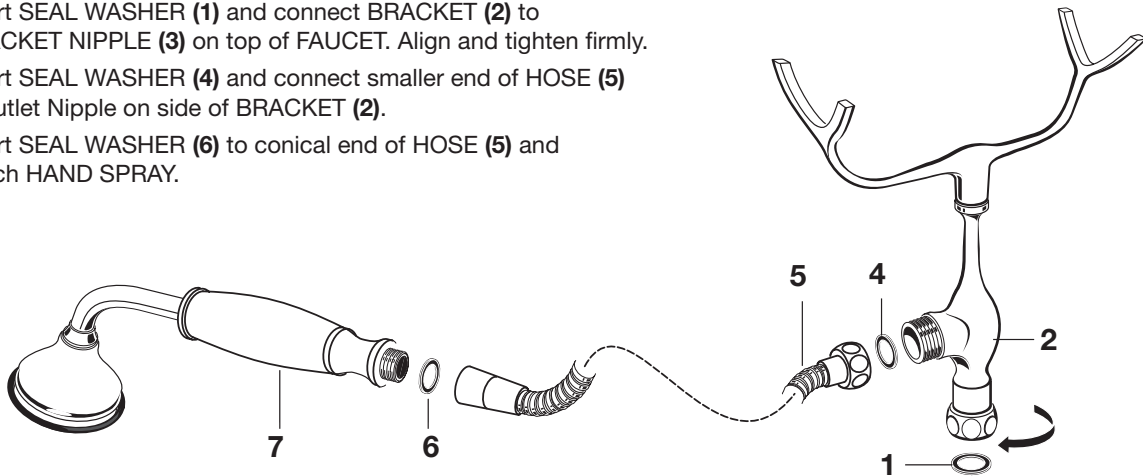
5 INSTALL HANDLES IF NOT INSTALLED

- Turn VALVE to OFF position.
- Push CROSS HANDLE (1) or LEVER HANDLE (1a) onto VALVE STEM (2). Check alignment if not satisfactory align.
- Thread HANDLE BASE (3) tight onto VALVE (4).



6 INSTALL FITTING BRACKET

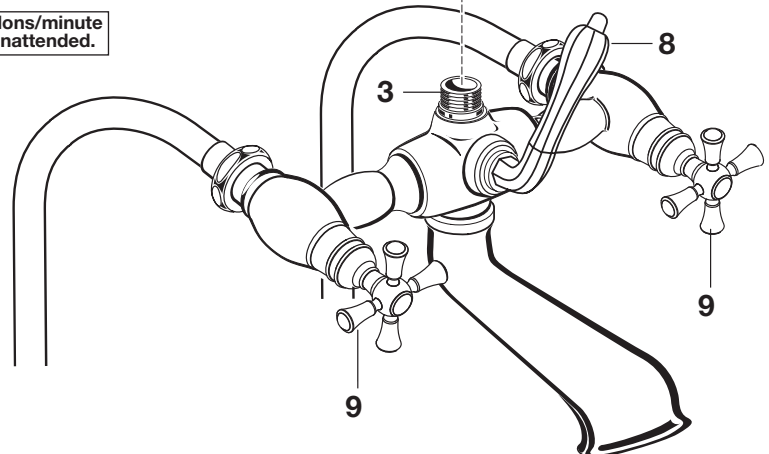
- Insert SEAL WASHER (1) and connect BRACKET (2) to BRACKET NIPPLE (3) on top of FAUCET. Align and tighten firmly.
- Insert SEAL WASHER (4) and connect smaller end of HOSE (5) to outlet Nipple on side of BRACKET (2).
- Insert SEAL WASHER (6) to conical end of HOSE (5) and attach HAND SPRAY (7).



6a TEST INSTALLED FAUCET

CAUTION The flow rate of this Tub Filler exceeds 20 gallons/minute at higher water pressure. Do not fill bathtub unattended.

- Turn VALVES to “off” position.
- With handles in “off” position, turn on water supplies and check all connections for leaks.
- Lift HAND SHOWER (7) from the holder and remove it from HOSE (5). Direct spray into tub. Turn DIVERTER KNOB (8) and check HOSE (5) connections for leaks.
- Operate HANDLES (9) on to off, hot and cold to flush water lines thoroughly.
- Turn DIVERTER KNOB (8) in and thread HAND SHOWER (7) onto HOSE (5).



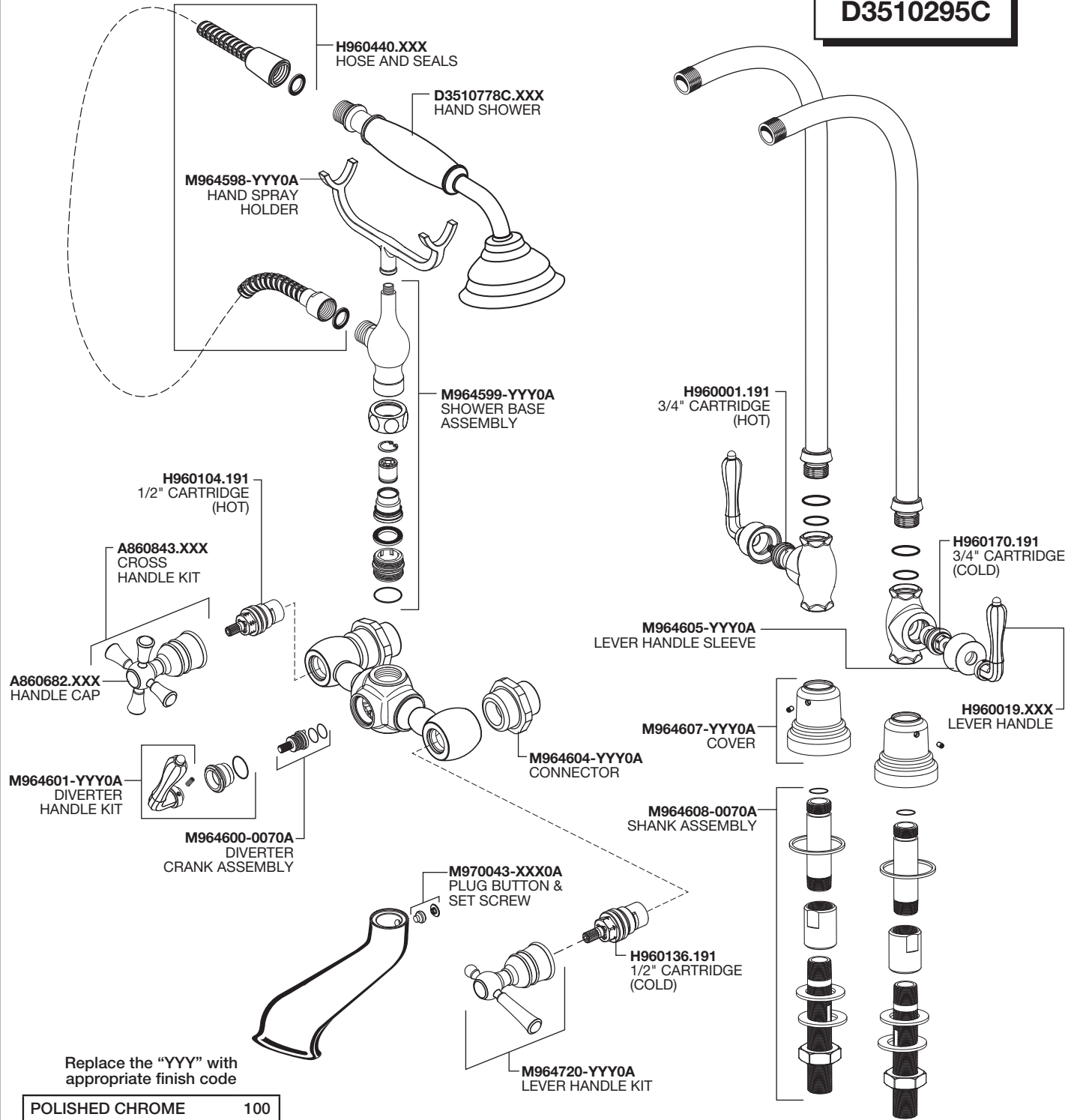
DXV

Transitional Floor Mount Tub Filler

MODEL NUMBERS

Cross Handle
D3510296C

Lever Handle
D3510295C



Replace the "YYY" with appropriate finish code

POLISHED CHROME	100
BRUSHED NICKEL	144
PLATINUM NICKEL	150
SATIN BRASS	427