

# INSTALLATION INSTRUCTIONS

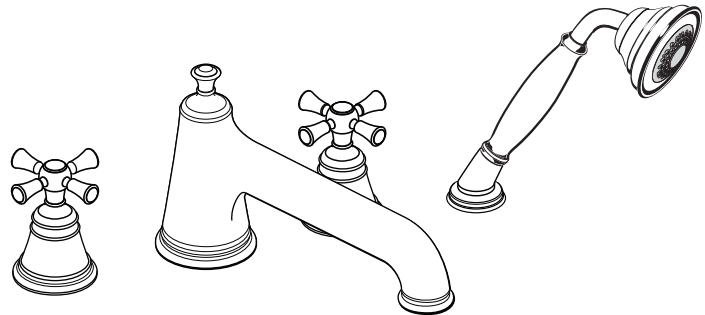


## Randall® Roman Tub Fillers with Hand Shower

**Cross Handle  
Model D3510294C**

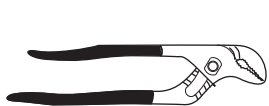
**Lever Handle  
Model D3510290C**

Thank you for selecting DXV. To ensure that your installation proceeds smoothly, please read these instructions carefully before you begin.



### RECOMMENDED TOOLS AND MATERIALS

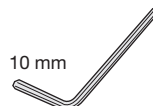
Most of the procedures require the use of common tools and materials, which are available from hardware and plumbing supply stores. It is essential that the tools and materials be on hand before work is begun.



Channel Locks

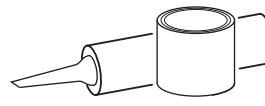


Adjustable Wrench

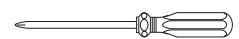


10 mm

Allen Key



Plumbers' Putty or Caulking



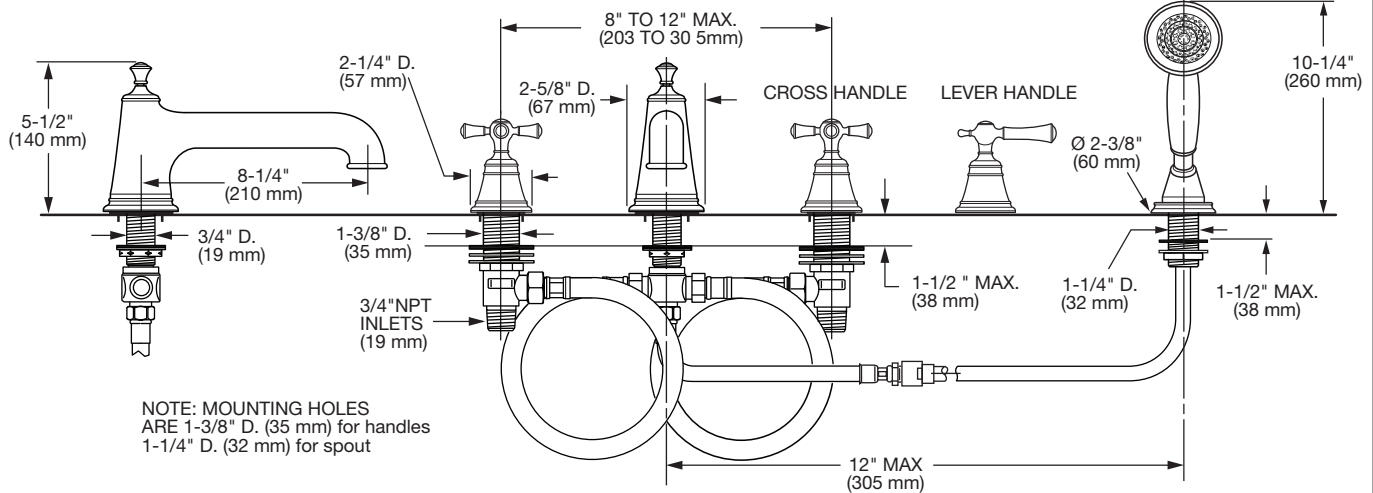
Phillips Screwdriver



Flat Blade Screwdriver

### ROUGHING-IN DIMENSIONS:

- For reference



#### In the United States:

DXV  
One Centennial Avenue  
Piscataway, New Jersey 08855  
Attention: Director of Customer Care

For residents of the United States, warranty information may also be obtained by calling the following toll free number: (800) 227-2734  
www.DXV.com

#### In Canada:

DXV  
5900 Avebury Road  
Mississauga, Ontario  
L5R 3M3  
Canada

Toll Free: 1-800-387-0369  
Local: 905-306-1093  
Fax: 1-800-395-1498  
www.DXV.ca

#### In Mexico:

DXV  
Via Morelos 330  
Col. Santa Clara Coatitla  
Ecatepec, Estado de México 55540

Toll Free: 01-800-8391200  
www.DXV.mx

SAVE FOR FUTURE USE

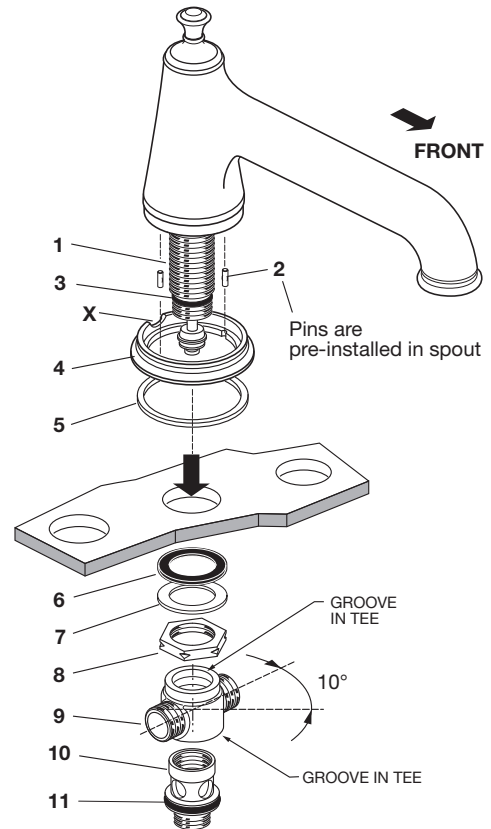
## 1 SPOUT AND T-PIECE ASSEMBLY

**CAUTION** Turn off hot and cold water supplies before beginning.

### IMPORTANT NOTICE TO THE INSTALLER

Please check with your local Code Authority for acceptable installation requirements for this Roman Tub set with hand shower. Some local codes may require a vacuum breaker and/or a pressure balanced mixing valve to be installed in conjunction with this product.

- T-PIECE (9) and COUPLING NUT (10) are factory pre-installed on SPOUT SHANK (1) and must be removed to install SPOUT SHANK (1).
- Insert SPOUT SHANK (1) through center hole of sink or mounting surface. Install ESCUTCHEON (4) and WASHER (5). Make sure ESCUTCHEON snaps into PINS (2) and CUTOUT (X) shows to the back.
- Assemble RUBBER WASHER (6), FIBER WASHER (7) and LOCKNUT (8) onto threads of SPOUT SHANK (1). Tighten firmly.
- Grease O-RING (3 & 11), Assemble T-PIECE (9) onto the SPOUT SHANK and tighten with COUPLING NUT (10).
- Slide the T-PIECE (9) onto SPOUT SHANK (1) until it makes contact with the O-RING (3). Thread COUPLING NUT (10) onto SPOUT SHANK (1). Rotate T-PIECE (9) about 10 degrees from center and tighten securely. Make sure both O-Rings (3 & 11) are seated into grooves of T-PIECE (9).



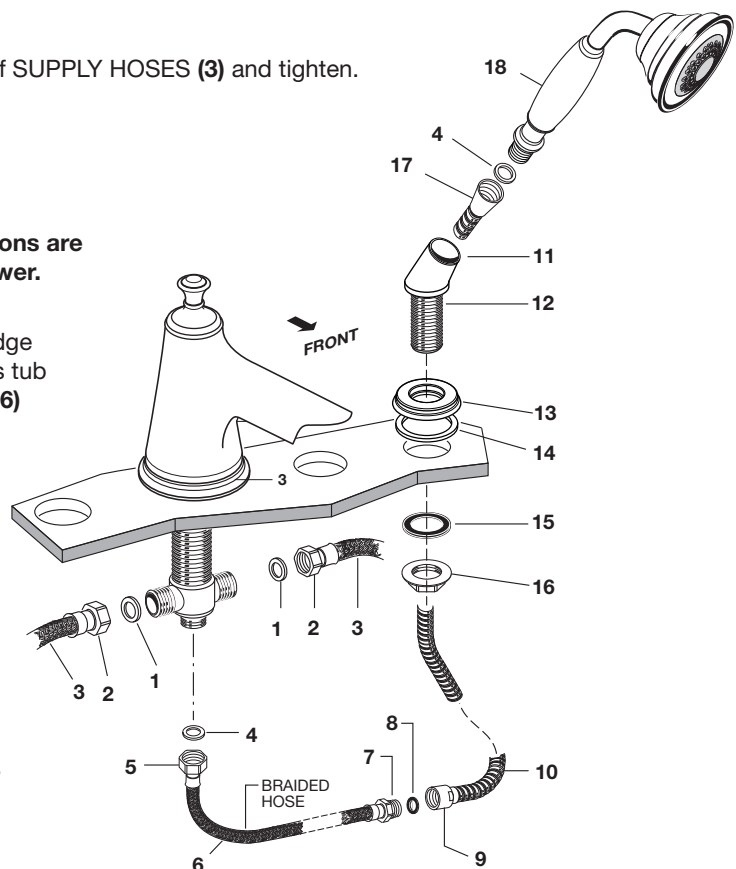
## 2 HOSE ASSEMBLY

- Insert FIBER WASHERS (1) into COUPLING NUTS (2) of SUPPLY HOSES (3) and tighten.

### 2a HAND SHOWER ASSEMBLY

**Note: Back flow prevention and 2.5 GPM flow restrictions are included with all Roman tub sets with hand shower.**

- Drop SPRAY HOLDER (12) through ESCUTCHEON (13) and WASHER (14) and into the fourth hole of the tub ledge (12" 305 mm max from SPOUT center) directed towards tub center. Install RUBBER WASHER (15) and LOCKNUT (16) from underside of mounting ledge. Secure SPRAY HOLDER (12) by tightening LOCKNUT (16).
- Install SEAL WASHER (4) and connect COUPLING NUT (5) of BRAIDED HOSE (6) to outlet nipple. Tighten firmly.
- Slip SHOWER HOSE (10) with COUPLING NUT (9) through SPRAY HOLDER (12) and ESCUTCHEON (14).
- Install SEAL (8) into COUPLING NUT (9). Connect COUPLING NUT (9) to HOSE NIPPLE (7) and tighten.
- INSTALL second SEAL (4) and connect HAND SHOWER (18) to SPRAY HOSE END (17). Hand tighten.



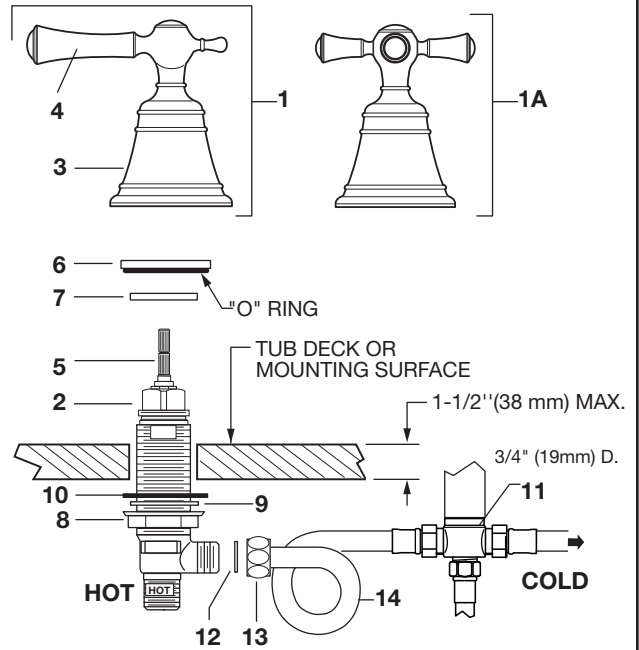
### 3 INSTALL VALVE BODIES

- HANDLE ASSEMBLIES (1, 1A) are installed on VALVE BODIES (2) and must be removed to install VALVE BODIES (2) from under tub deck or mounting surface.
- To remove HANDLE ASSEMBLY (1), unthread HANDLE BASE (3) with LEVER (4) from VALVE BODY (2). Pull HANDLE ASSEMBLY (1) off VALVE STEM (5).

- Unthread and remove MOUNTING RING (6) and SPACER (7).
- Thread LOCKNUT (8) to bottom of VALVE BODY (2). Make sure FIBER WASHER (9) and RUBBER WASHER (10) are installed. Insert VALVE BODY (2) through mounting hole from underside of tub deck or mounting surface.

**Note: VALVE BODY marked Hot is installed in the left Mtg. hole, VALVE BODY marked Cold in the right when facing front of fitting. Maximum mounting surface thickness is 1-1/2" (38 mm).**

- From top install SPACER (7) onto VALVE BODY (2). Thread MOUNTING RING (6) on VALVE BODY (2) until seated tightly against SPACER (7). Set VALVE BODIES (2) so that their outlets are facing toward SPOUT TEE (11) and then tighten LOCKNUT (8) using 35 mm or adjustable wrench.
- Insert FIBERWASHERS (12) into COUPLING NUTS (13) of SUPPLY HOSES (14) and tighten making water tight connection. **Important: Loop SUPPLY HOSES (14) as illustrated so they do not kink.**



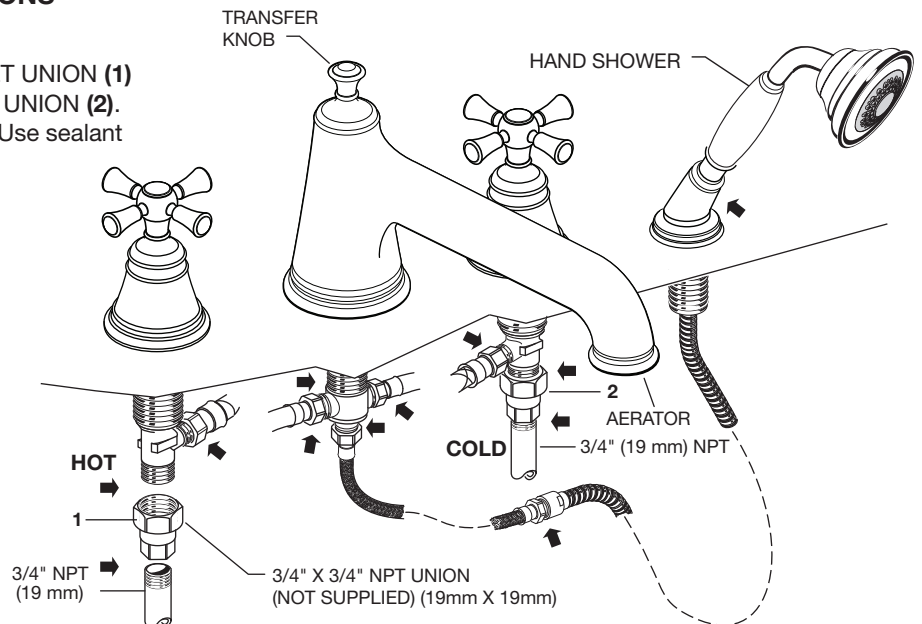
### INSTALL HANDLES

- Turn VALVE BODIES (2) to off position. Align HANDLES as shown or as desired and install HANDLE ASSEMBLY (1, 1A) onto VALVE STEM (5). Thread HANDLE BASE (3) onto VALVE BODY (2) until seated tightly against mounting surface.

### 4 MAKE WATER SUPPLY CONNECTIONS

- Connect HOT water supply to LEFT INLET UNION (1) and COLD water supply to RIGHT INLET UNION (2). Pipe connections are 3/4" (19 mm) NPT. Use sealant or Teflon tape on pipe connections.

**Do not solder directly to valve body.**



### 4a TEST INSTALLED FAUCET

- Remove AERATOR from FAUCET.
- With HANDLES in OFF position, turn on WATER SUPPLIES and check all connections for leaks.
- Operate both HANDLES to flush water lines thoroughly.
- Replace AERATOR.
- Remove Hand Shower from the hose. Turn water supplies on to flush water lines thoroughly.
- Turn handles "off" and replace HAND SHOWER.

**IMPORTANT: It is strongly recommended that access be provided for all enclosed mechanical parts to this system.**



# Randall® Roman Tub Fillers with Hand Shower

## MODEL NUMBERS

Cross Handle  
**D3510294C**  
Lever Handle  
**D3510290C**

Replace the "YYY" with appropriate finish code

POLISHED CHROME	100
BRUSHED NICKEL	144
PLATINUM NICKEL	150
SATIN BRASS	427

