

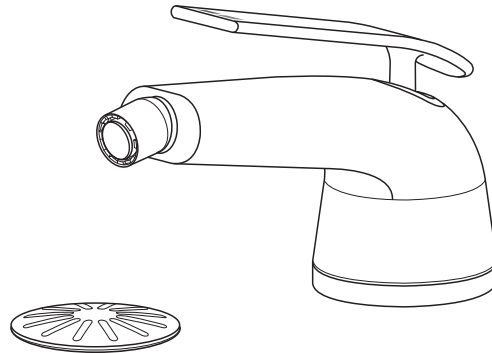
# INSTALLATION INSTRUCTIONS



## DXV Modulus™ Monoblock Bidet

Models D35120012  
D35120012RB

Thank you for selecting DXV. To ensure that your installation proceeds smoothly, please read these instructions carefully before you begin.



### RECOMMENDED TOOLS AND MATERIALS

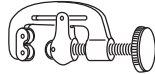
Most of the procedures require the use of common tools and materials, which are available from hardware and plumbing supply stores. It is essential that the tools and materials be on hand before work has begun.



Adjustable Wrench



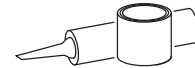
Channel Locks



Tubing Cutter



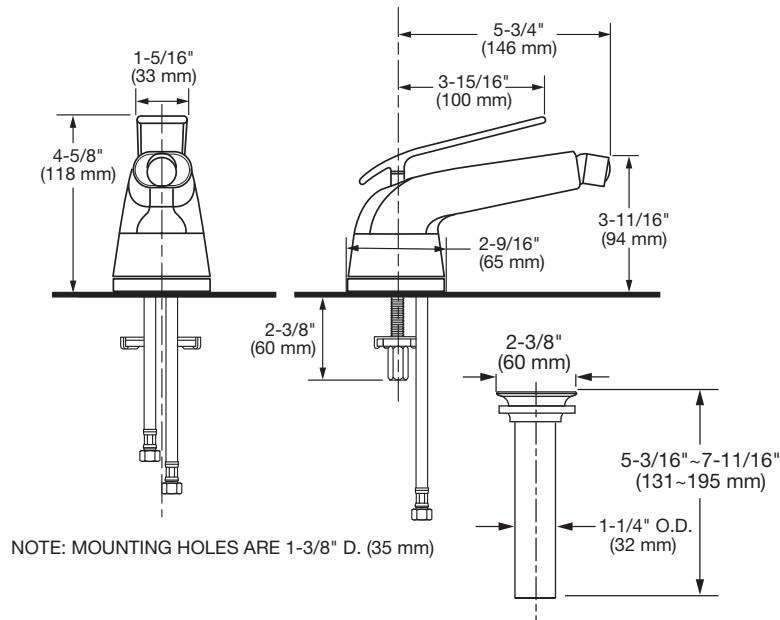
Flat Blade Screwdriver



Plumber's Putty or Caulking

### ROUGHING-IN DIMENSIONS:

**NOTE:** Mounting holes are 1-3/8" D.



#### In the United States:

DXV  
One Centennial Avenue  
Piscataway, New Jersey 08855  
Attention: Director of Customer Care

For residents of the United States, warranty information may also be obtained by calling the following toll free number: (800) 227-2734  
www.DXV.com

#### In Canada:

DXV  
5900 Avebury Road  
Mississauga, Ontario  
L5R 3M3  
Canada

Toll Free: 1-800-387-0369  
Local: 905-306-1093  
Fax: 1-800-395-1498  
www.DXV.ca

#### In Mexico:

DXV  
Via Morelos 330  
Col. Santa Clara Coatlita  
Ecatepec, Estado de México 55540

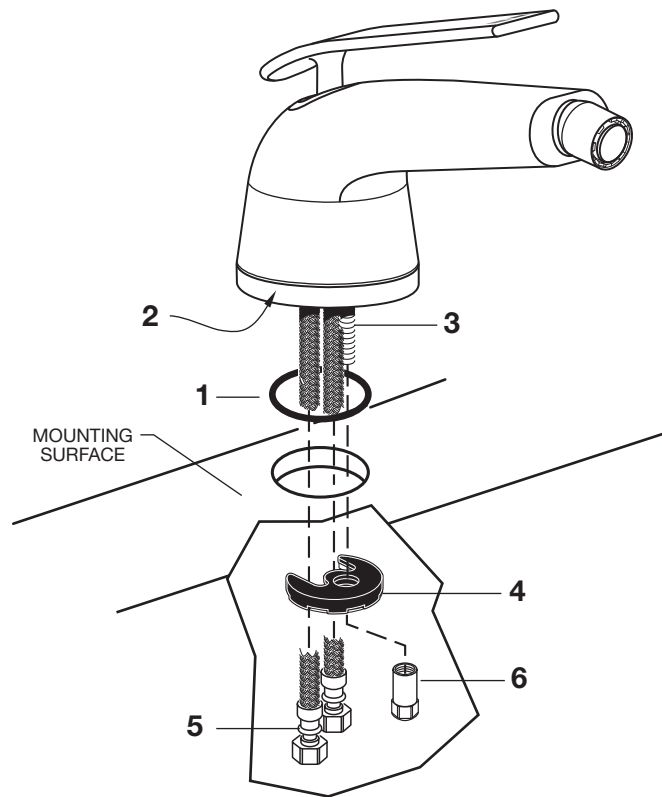
Toll Free: 01-800-8391200  
www.DXV.mx

SAVE FOR FUTURE USE

## 1 INSTALL FAUCET (LAVATORY AND VESSEL FAUCETS)

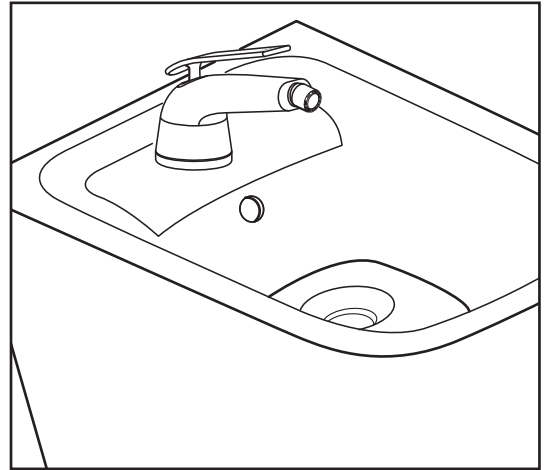
**CAUTION** Turn off hot and cold water supplies before beginning.

- Install SEAL (1) into groove of FAUCET BASE (2).
- Feed FAUCET SUPPLY TUBES (5) and SHANK (3) through mounting hole of lavatory or mounting surface.
- From below, Install RUBBER SEAL with RETAINING WASHER (4) and LOCKNUT (6) onto faucet SHANK (3). Before final tightening, faucet should be seated flush on mounting surface. Adjust faucet so that it is centered and covers mounting hole. Tighten LOCKNUT (6) using a 15mm or adjustable wrench. Do not over tighten.



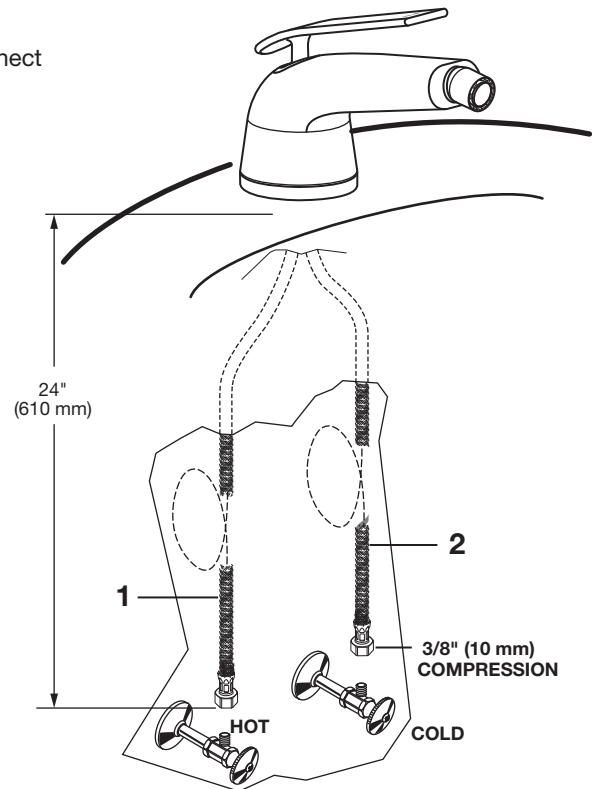
## 2 CHECK OPERATION OF POP-UP

- Operate STOPPER (1) to verify that STOPPER (1) opens and closes.



## 3 MAKE WATER SUPPLY AND WASTE CONNECTIONS

- Connect FLEXIBLE SUPPLIES (1, 2) directly to wall supplies. Connection on fitting supplies are 3/8" (10 mm) compression. Connect left SUPPLY (1) to Hot (Marked with a Red Band) and right supply to COLD (2) wall supply.
- Faucet supplies are 24" (610 mm) long from faucet base.
- Note:** If additional supply length is required, installer must purchase additional parts separately.
- Important:** If SUPPLY HOSES (1, 2) are to long, loop as illustrated to avoid kinking.
- Connect 1-1/4" O.D. (32 mm) tailpiece on POP-UP DRAIN to waste outlet.

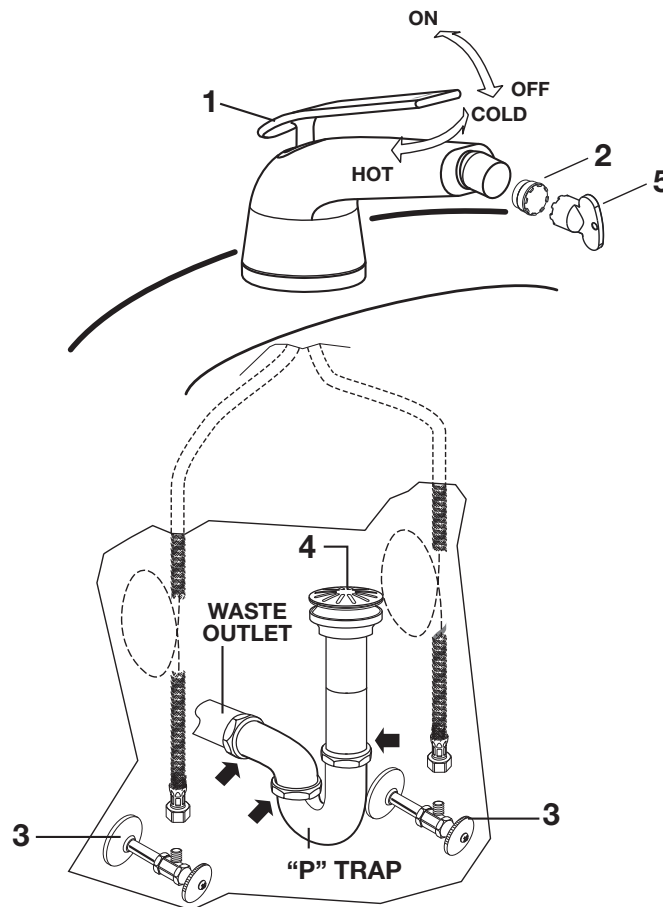


## 4 TEST INSTALLED FITTING

- With HANDLE (1) in OFF position, turn on WATER SUPPLIES (3) and check all connections for leaks. ➡
- Remove AERATOR (2) using KEY (5).
- Operate HANDLE (1) to flush water lines thoroughly.
- Reinstall AERATOR (2).

### CHECK DRAIN CONNECTIONS

- Operate DRAIN STOPPER (4) and fill lavatory with water. Check that DRAIN STOPPER (4) makes a good seal and retains water in sink. Check all drain connections and "P" trap for leaks. ➡ Tighten if necessary.



## 5 MAINTANENCE

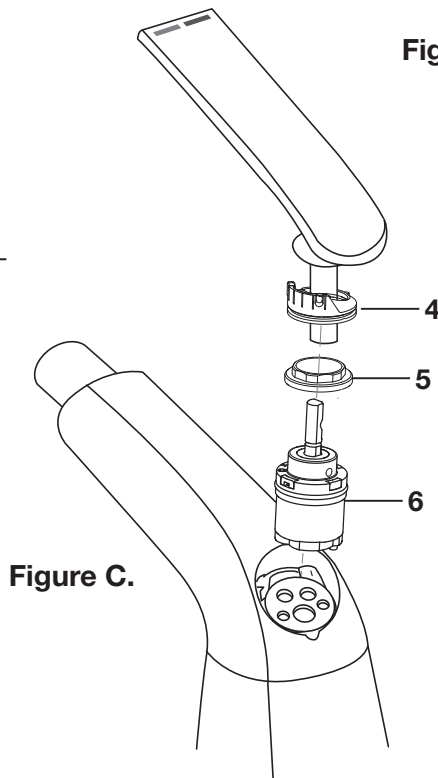
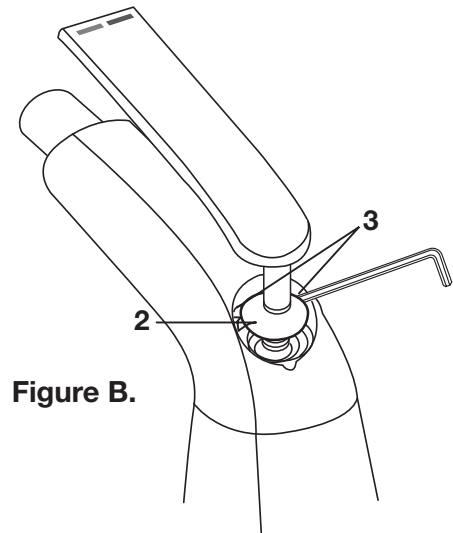
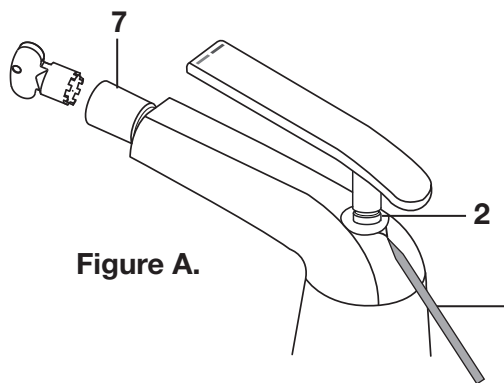
If water flow rate is lower than stated, flow regulator might be clogged by debris in the water lines.  
Clean filter screen at inlet hoses.

### TO REPLACE CARTRIDGE

- Turn water supplies off.
- Use a SHARP TOOL (1) to loosen DECORATIVE RING (2). **Figure A.**
- Lift up DECORATIVE RING (2) and use hex key to remove SET SCREW (3). **Figure B.**
- Remove BASE (4) and pull whole handle assembly off. **Figure B.**
- Unthread CARTRIDGE NUT (5) to remove CARTRIDGE (6). **Figure C.**
- Replace CARTRIDGE (6) with new one.
- Follow the above steps in reverse to install faucet components.

### TO REPLACE AERATOR

- Turn water supplies off.
- Using the key provided, remove AERATOR (7).
- Clean AERATOR (7) and reinstall it back onto faucet.



## 6 CARE INSTRUCTIONS:

**DO:** SIMPLY RINSE THE PRODUCT CLEAN WITH CLEAR WATER. DRY WITH A SOFT COTTON FLANNEL CLOTH.

**DO NOT:** DO NOT CLEAN THE PRODUCT WITH SOAPS, ACID, POLISH, ABRASIVES, HARSH CLEANERS, OR A CLOTH WITH A COARSE SURFACE.



# DXV Modulus™ Monoblock Bidet

MODEL NUMBERS

**D35120012**  
**D35120012RB**

Replace the "YYY" with appropriate finish code

POLISHED CHROME	100
BRUSHED NICKEL	144
PLATINUM NICKEL	150
MATTE BLACK	243

