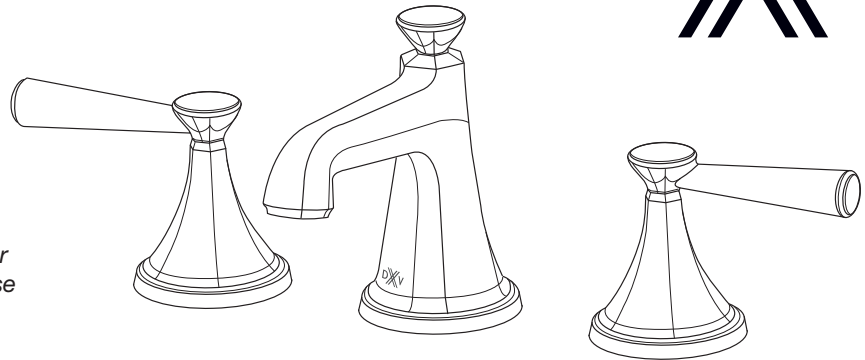


# INSTALLATION INSTRUCTIONS



## Fitzgerald® Widespread Lavatory Faucet

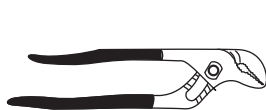
Model D35160802



Thank you for selecting DXV. To ensure that your installation proceeds smoothly, please read these instructions carefully before you begin.

### RECOMMENDED TOOLS AND MATERIALS

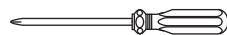
Most of the procedures require the use of common tools and materials, which are available from hardware and plumbing supply stores. It is essential that the tools and materials be on hand before work is begun.



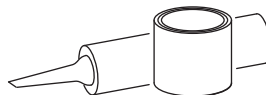
Channel Locks



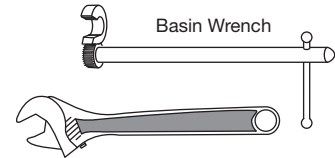
Flat Blade Screwdriver



Phillips Screwdriver



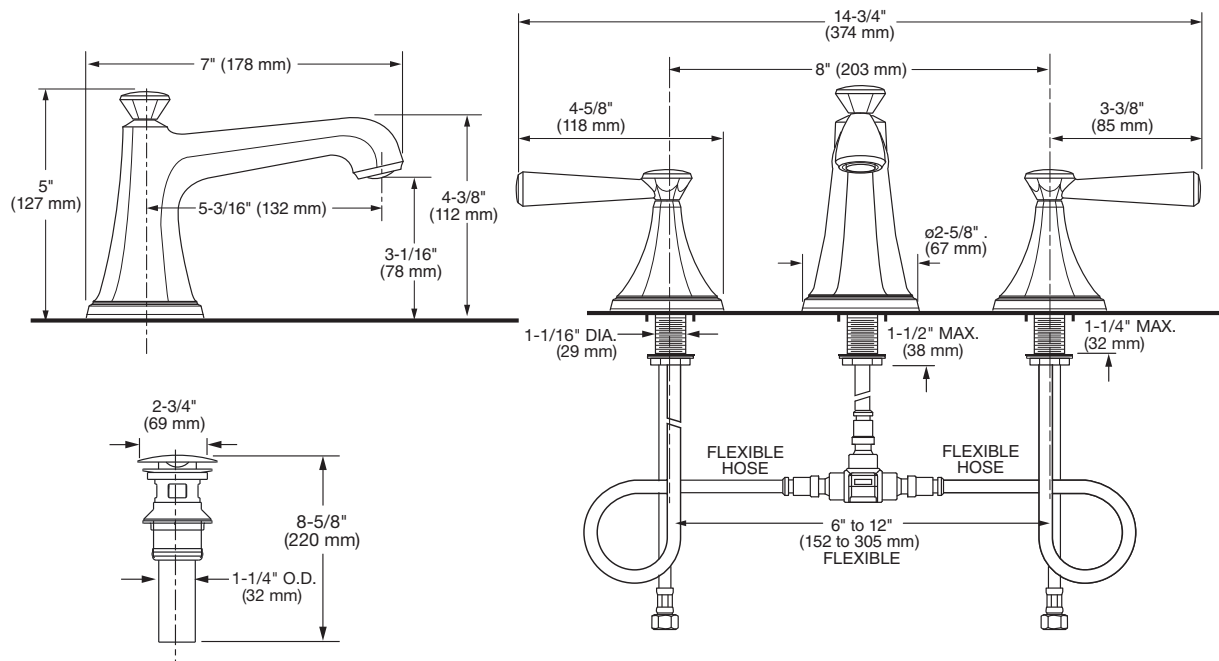
Plumbers' Putty or Caulking



Adjustable Wrench

### ROUGHING-IN DIMENSIONS:

- For reference



#### In the United States:

DXV  
One Centennial Avenue  
Piscataway, New Jersey 08855  
Attention: Director of Customer Care

For residents of the United States, warranty information may also be obtained by calling the following toll free number: (800) 227-2734  
www.DXV.com

#### In Canada:

DXV  
5900 Avebury Road  
Mississauga, Ontario  
L5R 3M3  
Canada

Toll Free: 1-800-387-0369  
Local: 905-306-1093  
Fax: 1-800-395-1498  
www.DXV.ca

#### In Mexico:

DXV  
Via Morelos 330  
Col. Santa Clara Coatlilla  
Ecatepec, Estado de México 55540

Toll Free: 01-800-8391200  
www.DXV.mx

SAVE FOR FUTURE USE

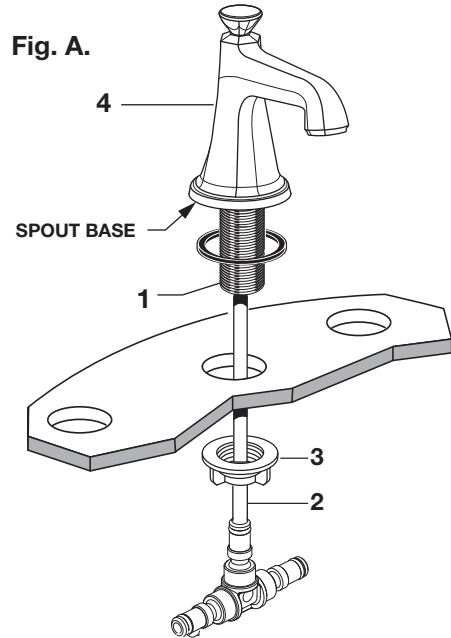
# 1 INSTALL SPOUT

**CAUTION** Turn off hot and cold water supplies before beginning.

Fig. A.

- Insert SHANK (1) and HOSE (2) through center hole.
- Thread LOCKNUT (3) onto SHANK (1) from underside of sink or mounting surface.
- Align and center SPOUT (4). Tighten LOCKNUT (3).

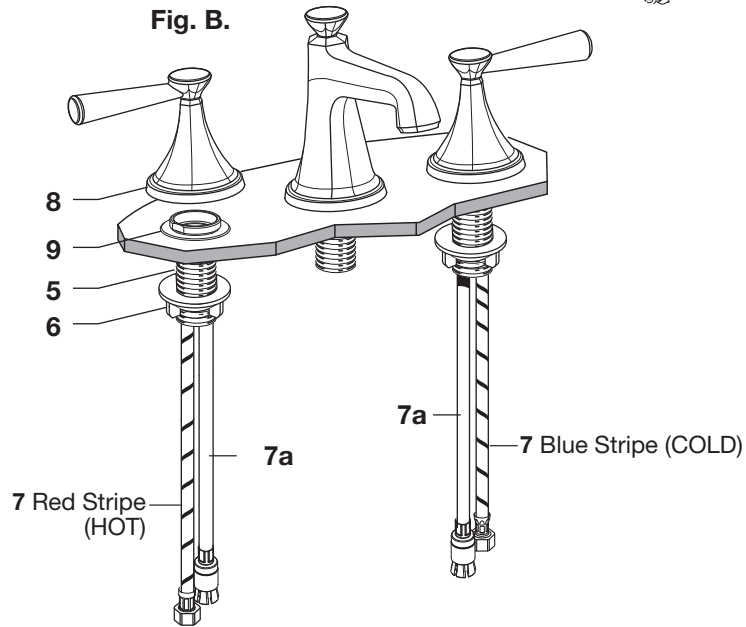
Fig. A.



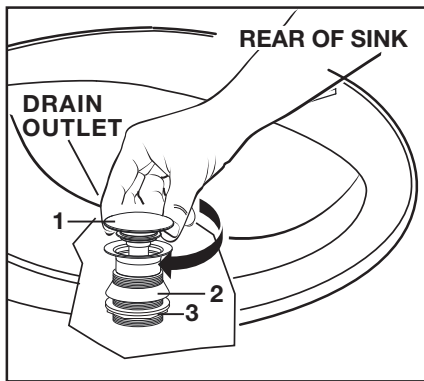
# 1A INSTALL VALVE BODIES

Fig. B.

- Insert Hot and Cold SIDE VALVE HOSES (7), FLEXIBLE SUPPLIES (7a) into mounting holes.
- Thread LOCKNUT (6) onto each SIDE VALVE SHANK (5) from underside of sink or mounting surface.
- Align and center SIDE VALVES. Tighten LOCKNUTS (6).
- Thread HANDLE (8) to SIDE DECK ADAPTOR (9).



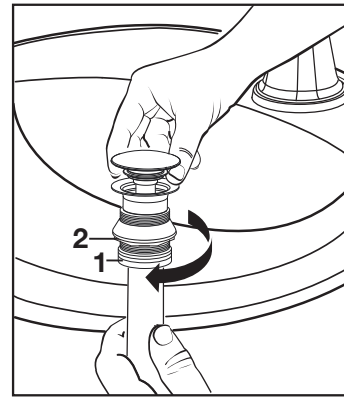
## 2 INSTALL DRAIN FROM BELOW FIXTURE



- Install DRAIN (1) by dropping it from the top of the sink.
- From under side of SINK install GASKET (2) and MOUNTING NUT (3).

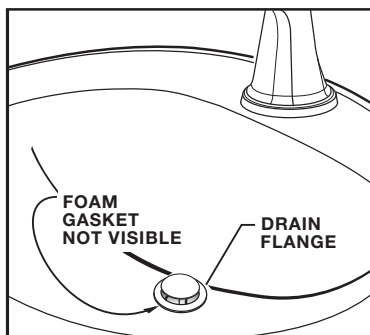
**Note:** Plumber's putty or caulk is recommended.

## 3



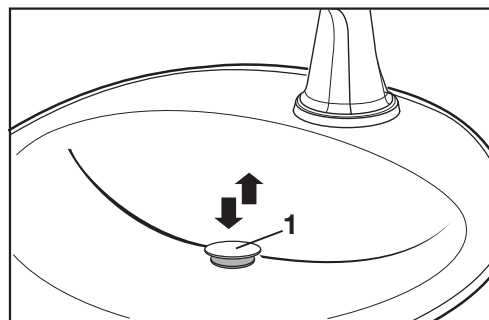
- Thread TAIL PIECE NUT (1) clockwise onto DRAIN BODY (2).

## 4 FLANGE GASKET AND POP-UP KNOB



- Check DRAIN FLANGE in SINK to ensure that FOAM GASKET (3) is fully compressed and not visible.

## 5 CHECK OPERATION OF POP-UP



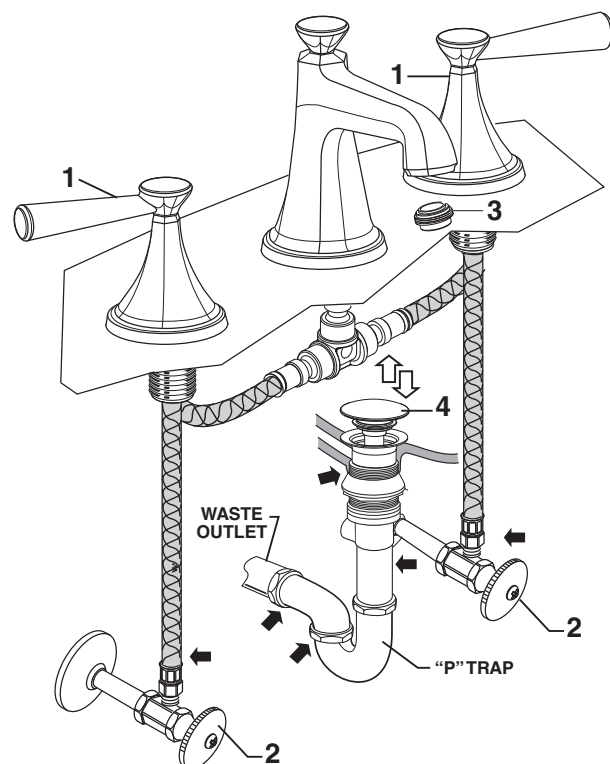
- Operate DRAIN STOPPER (1) to verify that it opens and closes.

## 6 TEST INSTALLED FITTING

- With HANDLE (1) in OFF position, turn on WATER SUPPLIES (2) and check all connections for leaks.
- Remove AERATOR (3).
- Operate HANDLE (1) to flush water lines thoroughly.
- Replace AERATOR (3).

### CHECK DRAIN CONNECTIONS

- Fill lavatory with water. Check that DRAIN STOPPER (4) makes a good seal and retains water in SINK.
- Release DRAIN STOPPER (4) down and check all drain connections and "P" trap for leaks. Tighten if necessary.

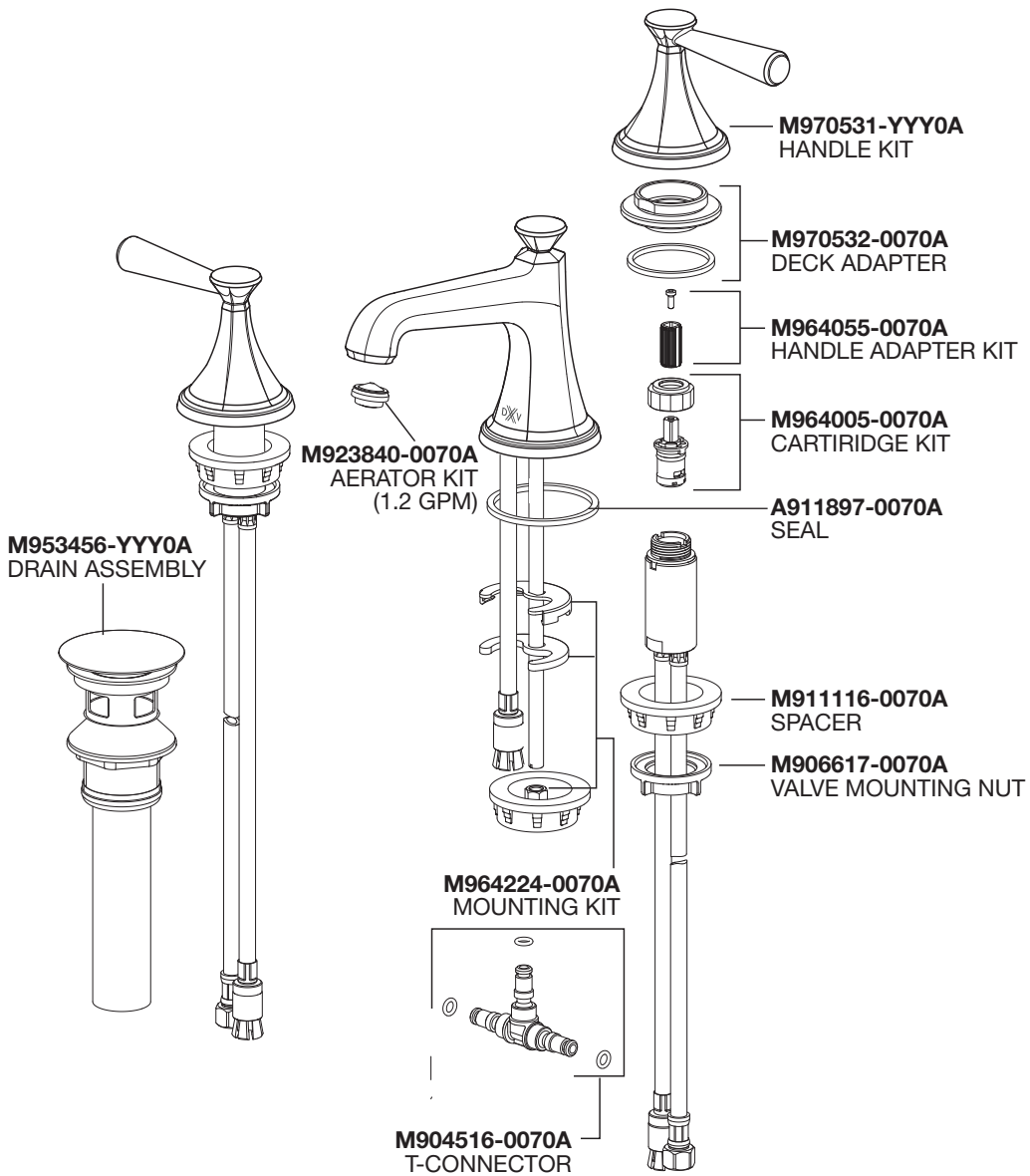




**Fitzgerald®**  
**Widespread**  
**Lavatory Faucets**

MODEL NUMBER

**D35160802**



Replace the “YYY” with appropriate finish code

POLISHED CHROME	100
BRUSHED NICKEL	144
PLATINUM NICKEL	150