



# DXV BELSHIRE™

## WALL MOUNT TUB FILLER



- 1/8" Thin profile
- Forged brass escutcheon plate
- Brass handles
- Concealed mounting hardware
- Single function hand shower
- Includes double check valves
- Rough-in valve sold separately
- Maximum hand shower flow rate: 1.8 gpm (6.8 L/min)
- Maximum tub filler flow rate: 4.1 gpm (15.5 L/min)

### CODES AND STANDARDS

Meets or Exceeds ASME A112.18.1/CSA B125.1/ASSE 1016

CEC and CALGreen® Compliant

### DESCRIPTION

Wall Mount Tub Filler  
with Lever Handles (ADA)

### PRODUCT NUMBER

D35170980.XXX

### AVAILABLE FINISHES

Polished Chrome  
Brushed Nickel  
Platinum Nickel  
Satin Brass

### FINISH CODE

100  
144  
150  
427



Polished  
Chrome



Brushed  
Nickel



Platinum  
Nickel



Satin  
Brass

ROUGH-IN DIAGRAM  
SHOWN ON NEXT PAGE

CALGreen® is a registered trademark of California Building Standards Commission.

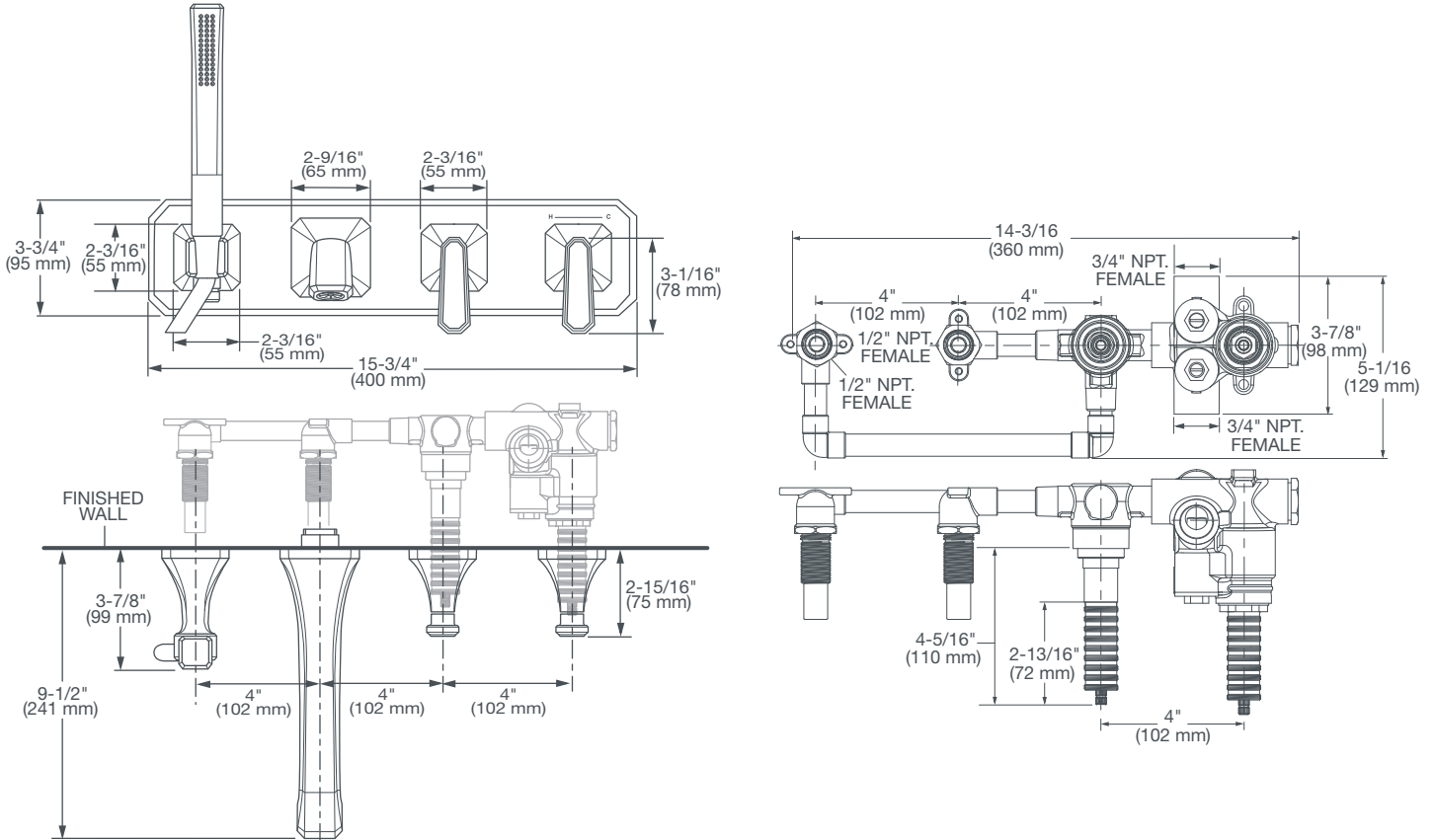


Meets the Americans with Disabilities Act Guidelines and ANSI A117.1 Requirements for the physically challenged.



# DXV BELSHIRE™

## WALL MOUNT TUB FILLER



**IMPORTANT:** These measurements are subject to change or cancellation. No responsibility is assumed for use of superseded or voided pages.

PART OF **LIXIL**