



AT100[®] SPALET[®] ELECTRONIC BIDET SEAT



D28005ARS141-415

FEATURES

- Sleek simple design for use with most elongated bowls
- Slow-close seat and lid
- One-click detachable seat lever
- One-touch power save (8 hours)
- Heated seat (3 temperature levels)
- Deodorizer with easy to access and clean charcoal filter cartridge (approximately 6 year life)
- Two independent self-cleaning water spray nozzles for front and rear cleansing
- Water control settings; pressure (6 levels), temperature (4 levels), massage and pulsation
- Warm air dryer (3 temperature levels)
- Easy to clean seat and nozzles
- Color-matched remote control included

DIMENSIONS

NOMINAL DIMENSIONS

6-3/8" x 16-3/4" x 21-1/2" (162 x 426 x 547 mm)

COLORS/FINISHES

Canvas White (415)

COMPLIANCE CERTIFICATIONS

Meets or Exceeds the Following Specifications:

- ASME A112.4.2/CSA B45.16
- Personal Hygiene and Health Care Appliances - UL 1431
- Motor-operated appliances (household and commercial) - CSA C22.2 No. 68-14
- Update No. 3
- Household Cooking and Liquid-Heating Appliances - CSA C22.2 No. 64-14

Certifications:

- IAPMO(cUPC)
- State of Massachusetts

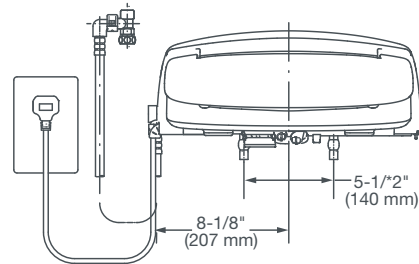
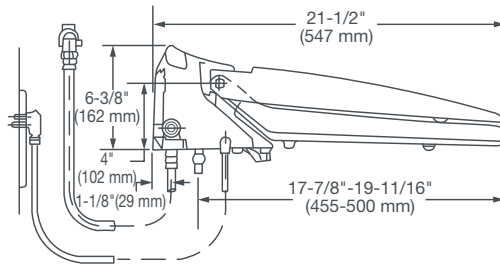
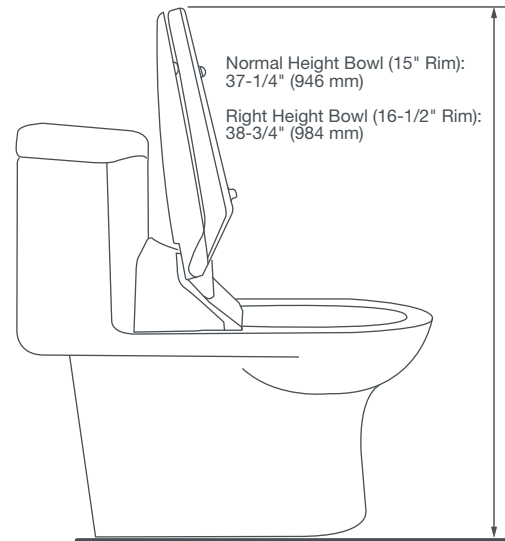
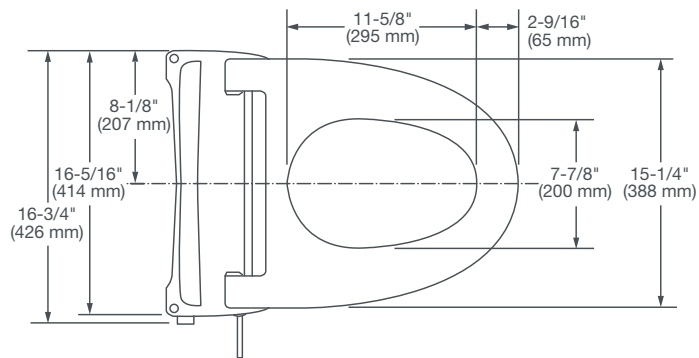
Code Compliance:

- UPC
- IPC
- NSPC
- NPC Canada

ROUGH IN DIAGRAM SHOWN
ON NEXT PAGE



AT100[®] SPALET[®] ELECTRONIC BIDET SEAT



* DIMENSIONS SHOWN FOR LOCATION OF SUPPLY IS SUGGESTED.

IMPORTANT:

Dimensions of fixtures are nominal and may vary within the range of tolerance established by ANSI Standard A112.19.2. These measurements are subject to change or cancellation. No responsibility is assumed for use of superseded or voided pages.

PART OF **LIXIL**