



AMERICAN STANDARD

ASHBEE™

3/2 OR 4/3 DIVERTER VALVE TRIM



- Alternates water flow between 2 or 3 discrete shower outlets
- 4/3 Port diverter allows for 1 inlet and 3 outlets
- 3/2 Port diverter allows for 1 inlet and 2 outlets
- 1/2" NPT inlets and outlets
- Available in cross handle only

CODES AND STANDARDS

Meets or Exceeds ASME A112.18.1/CSA B125.1

AVAILABLE FINISHES

- Polished Chrome
- Brushed Nickel
- Platinum Nickel

FINISH CODE

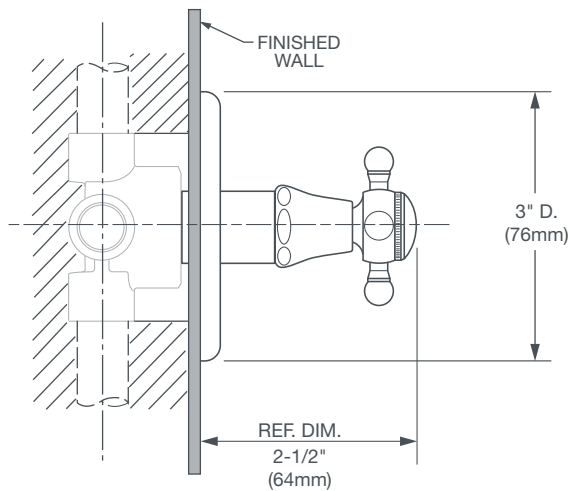
- 100
- 144
- 150

DESCRIPTION

- 3/2 or 4/3 Diverter Valve Trim
- Cross Handle
- 3/2 Port Diverter Rough Valve
- 4/3 Port Diverter Rough Valve

PRODUCT NUMBER

- D35101430.XXX
- D35000420.191
- D35000430.191



IMPORTANT: These measurements are subject to change or cancellation. No responsibility is assumed for use of superseded or voided pages.