

REM™ TUB SPOUT

- 8" Spout
- Includes 1/2" NPA adapter for 1/2" or 3/4" installations

CODES AND STANDARDS
Meets or Exceeds ASME A112.18.1/CSA B125.1



AVAILABLE FINISHES

Polished Chrome
Brushed Nickel

FINISH CODE

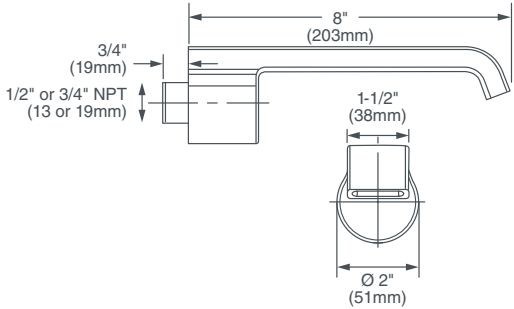
100
144

DESCRIPTION

Tub Spout

PRODUCT NUMBER

D35100760.XXX



IMPORTANT: These measurements are subject to change or cancellation. No responsibility is assumed for use of superseded or voided pages.